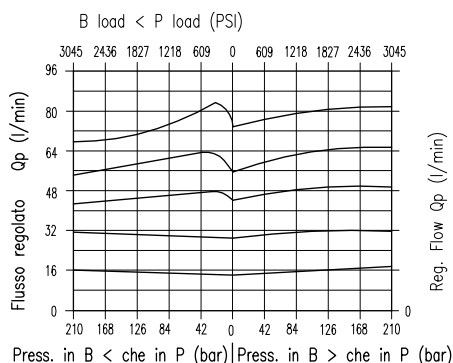
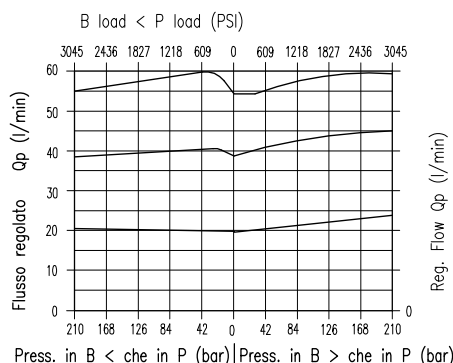
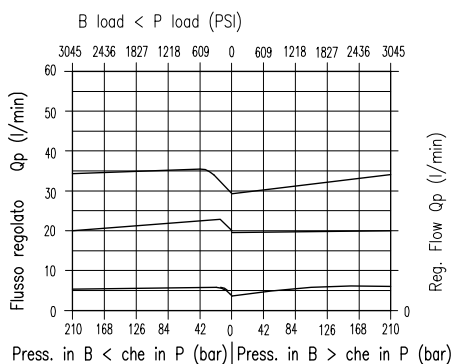


CARATTERISTICHE

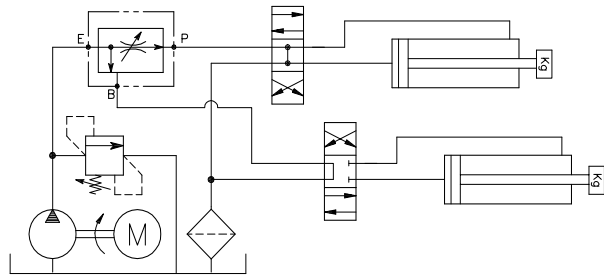
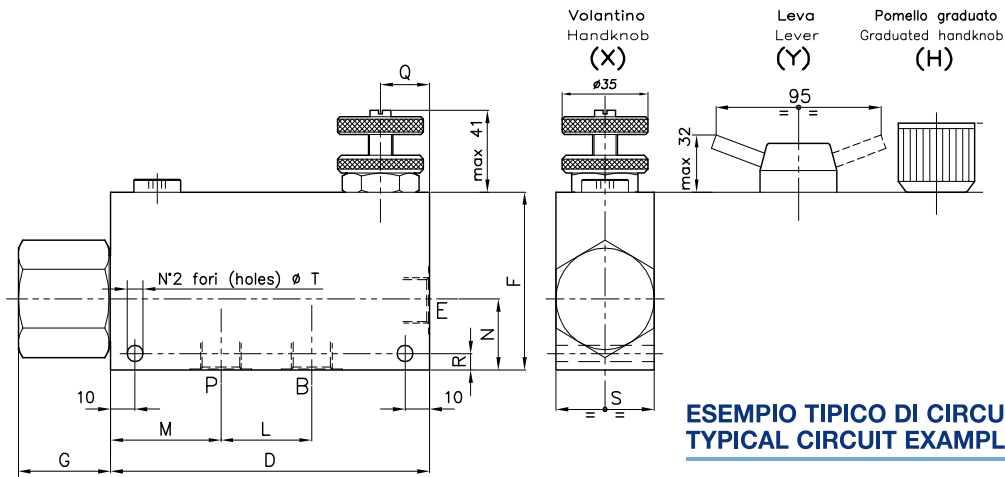
| | |
|--------------------------|------------------------------------|
| Luce nominale min/max | DN 6/11 |
| Portata min/max | 1/150 l/min - 0.26/39.6 GPM |
| Pressione di lavoro max. | 210 bar - 3045 PSI |
| Temperatura ambiente | -30°C + 50°C |
| Temperatura olio | -30°C + 80°C |
| Filtraggio consigliato | 50 micron |
| Peso | 1.194 Kg. 3/8" GAS |
| Peso | 1.171 Kg. 1/2" GAS |
| Peso | 2.144 Kg. 3/4" GAS |

PERFORMANCE

| |
|------------------------|
| Min/max rated size |
| Min/max flow-rate |
| Max working pressure |
| Room temperature |
| Oil temperature |
| Recommended filtration |
| Weight |
| Weight |
| Weight |



Viscosità olio 46 cSt a 50°C / Oil viscosity 46 cSt at 50°C



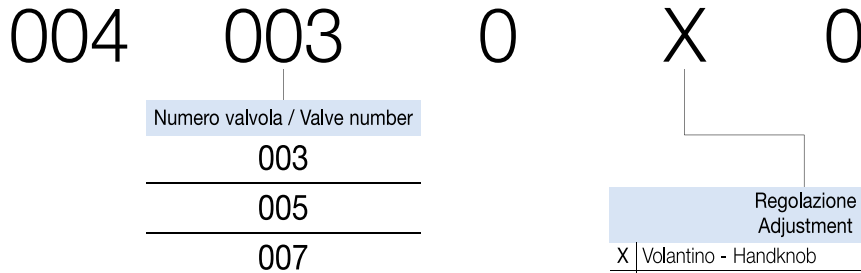
**DIMENSIONI
DIMENSIONS**

| NUMERO VALVOLA VALVE NUMBER | D | F | G | L | M | N | Q | R | S | T | Attacchi Port size E-P-B GAS (BSPP) | Luce nominale Rated size DN | QP l/min - GPM | QE l/min - GPM |
|-----------------------------------|-----|----|----|----|----|----|----|-----|----|-----|--|--------------------------------------|-------------------|-------------------|
| 003 | 130 | 70 | 38 | 37 | 45 | 28 | 20 | 6.5 | 40 | 6.5 | 3/8" | 6 | 30-7.9 | 55-14.5 |
| 005 | 130 | 70 | 38 | 37 | 45 | 28 | 20 | 6.5 | 40 | 6.5 | 1/2" | 8 | 55-14.5 | 90-23.8 |
| 007 | 155 | 90 | 35 | 44 | 54 | 35 | 25 | 7.5 | 50 | 8.5 | 3/4" | 11 | 90-23.8 | 150-39.6 |

QE = Portata max in entrata "E" - l/min
QE = Max admitted inlet flow "E" - l/min

QP = Portata max in uscita prioritario "P" - l/min
QP = Max delivery in priority "P" - l/min

**CODICE DI ORDINAZIONE
HOW TO ORDER**



| Regolazione Adjustment | |
|---------------------------|---|
| X | Volantino - Handknob |
| Y | Leva - Lever |
| H | Pomello graduato - Graduated handknob |
| Z | Volantino in alluminio - Aluminium handknob |