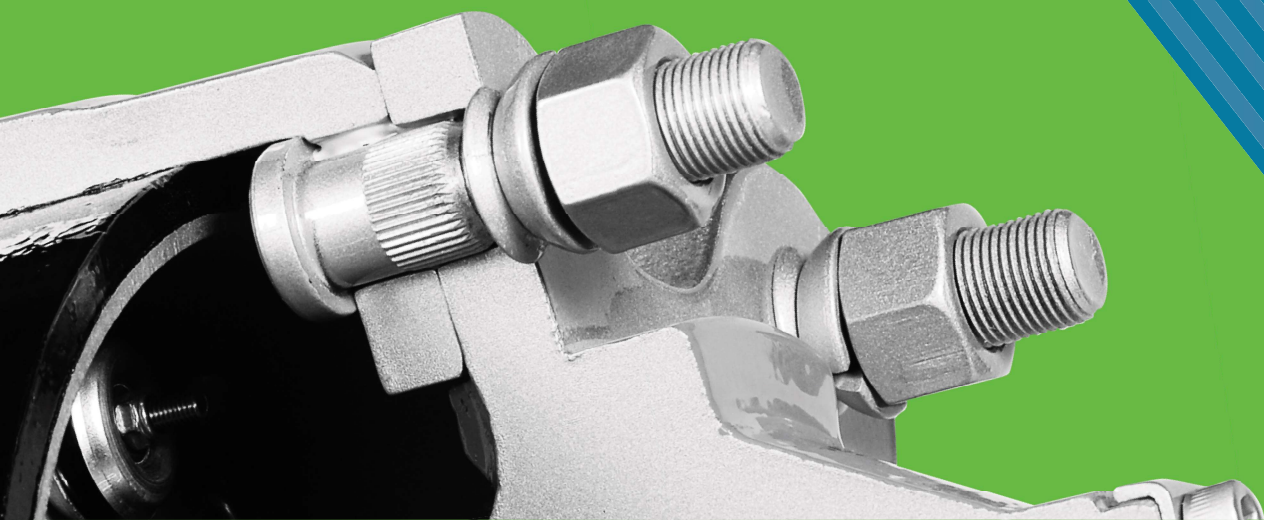


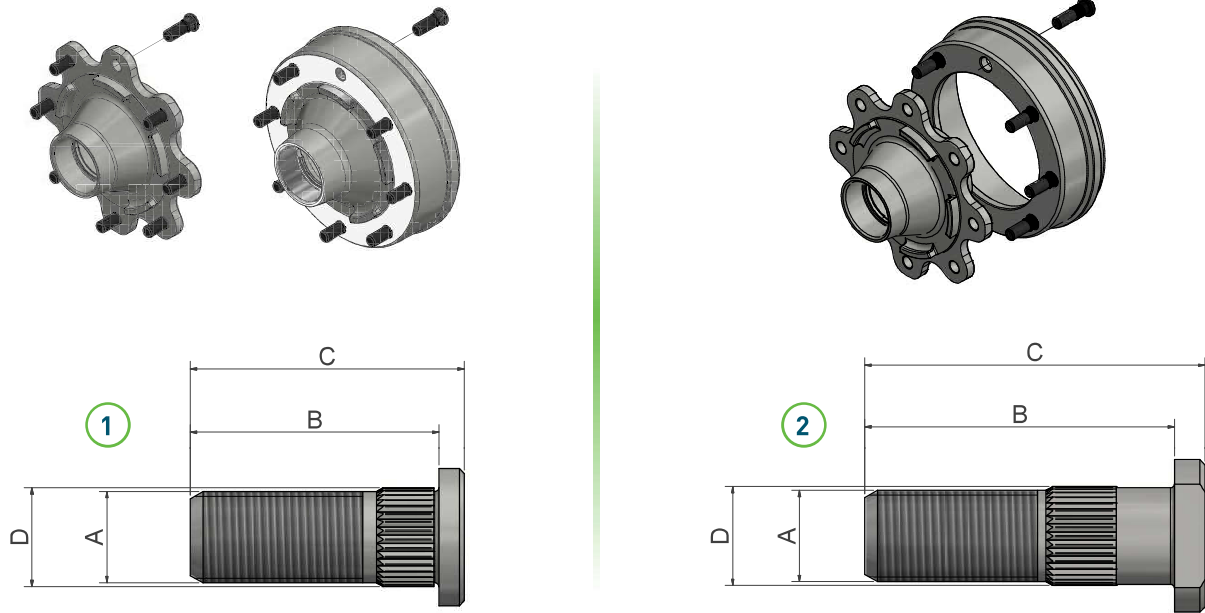


ATTACCHI

Fittings

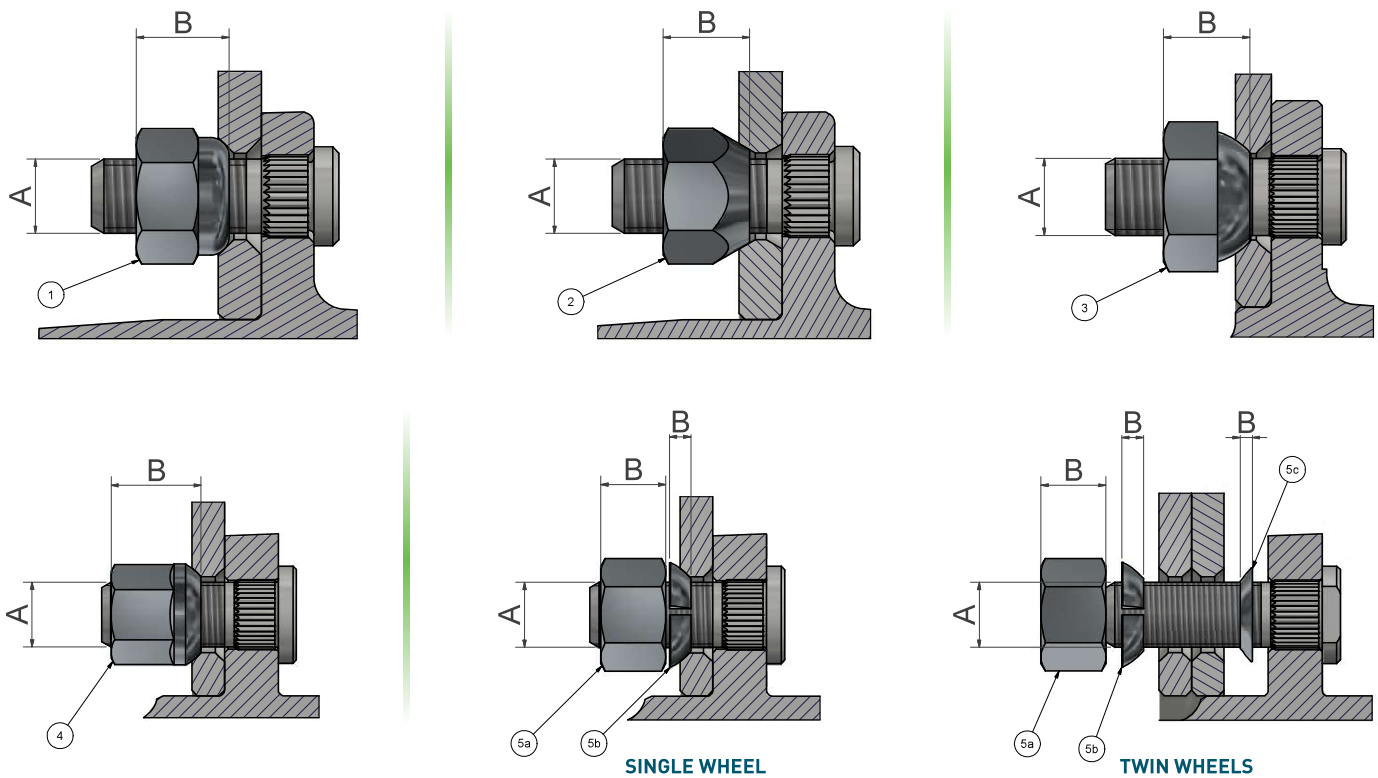


Wheel studs



A	Item	Description	Code	B	C	D	Q.ty	Kit code
M12X1,5	1	Stud for single wheel	S57112B1	36	40	13,5	24	OSF0120A
M14X1,5	1	Stud for single wheel	S57114B1	41	45	15,5	24	OSF0140B
M16X1,5	1	Stud for single wheel	S57116B1	45	50	17	20	OSF0160B
M18X1,5	1	Stud for single wheel (1)	S57118B1	49	54	19,5	12	OSF0180C
							16	OSF0180D
		Stud for twin wheels (1)	S57118B3	60	65	19,5	12	OSF0181C
	2						16	OSF0181D
		Special stud (1)	S57118B16	59	65	21,5	12	OSF0182C
							16	OSF0182D
		Stud for single wheel (1)	S57118B4	61	67	19,5	12	OSF0183C
							16	OSF0183D
		Stud for twin wheels (1)	S57118B5	75	81	19,5	12	OSF0184C
					16	OSF0184D		
		Special stud (1)	S57118B7	78	84	21,5	12	OSF0185C
						16	OSF0185D	
M20X1,5	1	Stud for single wheel	S57120B1	59	68	21,5	12	OSF0200C
							16	OSF0200D
		Stud for twin wheels	S57120B2	70	79	21,5	12	OSF0201C
	2						16	OSF0201D
		Stud for single wheel	S57120B12	74	83	21,5	12	OSF0202C
							16	OSF0202D
		Stud for twin wheels	S57120B5	87	96	21,5	12	OSF0203C
						16	OSF0203D	
M22X1,5	1	Stud for single wheel	S57122B2	71	77	24,1	16	OSF0220D
							20	OSF0220E
		Stud for twin wheels	S57122B1	84	90	24,1	16	OSF0221D
	2						20	OSF0221E
		Stud for single wheel (2)	S57122B17	80	89	24,1	16	OSF0222D
							20	OSF0222E
		Stud for twin wheels (2)	S57122B18	93	102	24,1	16	OSF0223D
						20	OSF0223E	

(1) For hub type 660, 661, 662, 671, 672, 880, 888 and brake 350X80 please contact our sales office - (2) GEOMET



A	Item	Description	Code	B	Q.ty	Kit code
M12X1,5	1	Wheel nut R3	S57312B1	15	24	OSN0120A
	2	Wheel nut conical 60°	S57312B4	14	24	OSN0121A
	4	Wheel nut german type	S57312B2	18	24	OSN0122A
M14X1,5	4	Wheel nut german type	S57314B1	20	24	OSN0140B
M16X1,5	3	Wheel nut spherical R14	S57316B1	18	20	OSN0160B
M18X1,5	4	Wheel nut german type	S57318B4	25	12	OSN0180C
					16	OSN0180D
	5a	Wheel nut	S57318B1	18	12	OSN0181C
	5b	Ring	S574181	6	12	
	5c	Ring for twin wheels	S574182	4	12	OSN0181D
	5a	Wheel nut	S57318B1	18	16	
	5b	Ring	S574181	6	16	
5c	Ring for twin wheels	S574182	4	16		
M20X1,5	5a	Wheel nut	S57320B1	20	12	OSN0200C
	5b	Ring	S574201	8	12	
	5c	Ring for twin wheels	S574202	5,5	12	
	5a	Wheel nut	S57320B1	20	16	OSN0200D
	5b	Ring	S574201	8	16	
	5c	Ring for twin wheels	S574202	5,5	16	
M22X1,5	5a	Wheel nut	S57322B1	22	16	OSN0220D
	5b	Ring	S574221	8	16	
	5c	Ring for twin wheels	S574222	6	16	
	5a	Wheel nut	S57322B1	22	20	OSN0220E
	5b	Ring	S574221	8	20	
	6	Ring for twin wheels	S574222	6	20	