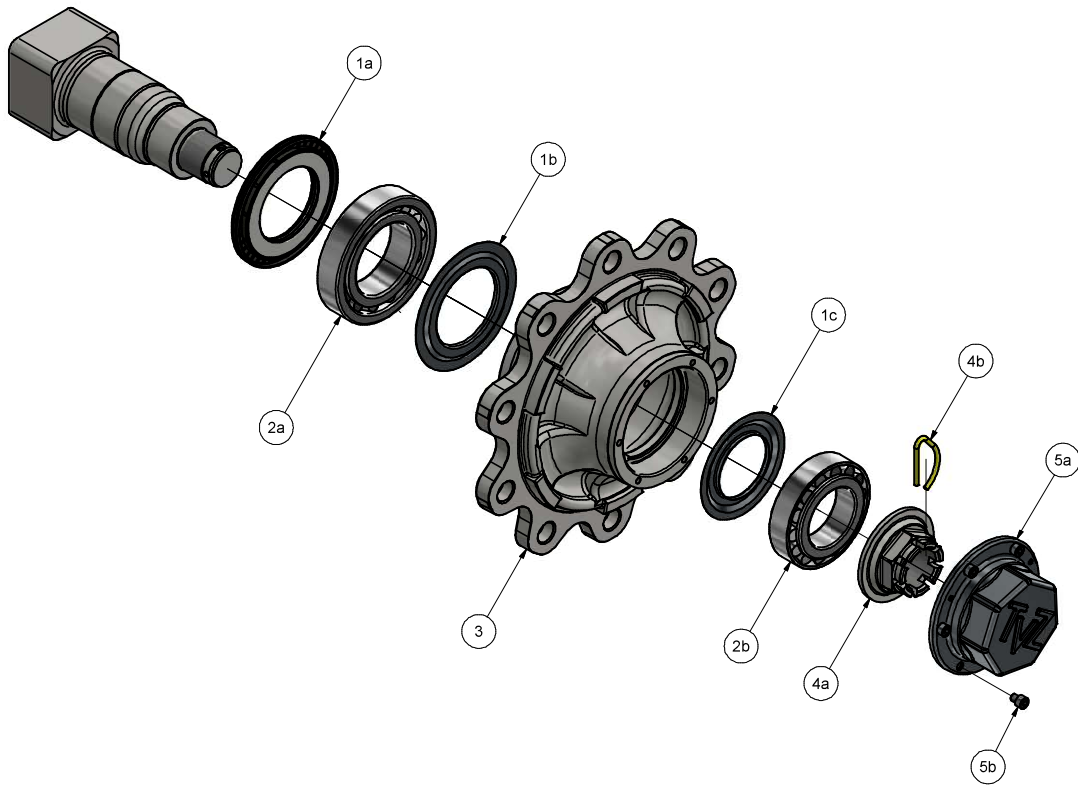


Type 898



Hub type	Item	Description	Code	A	B	C	Q.ty	Kit code	
898	1a	Ind. Seal	S5441501	150	87	-	1	OSP89801	
	1b	Nilos 32217	S5511502	150	-	-	1		
	1c	Nilos 32214	S5511251	125	-	-	1		
	2a	Bearing 32217	S59132217	150	85	38,5	1	OSP89802	
	2b	Bearing 32214	S59132214	125	70	33,25	1		
	3	Hub 8 holes M20X1,5		S61L8UI002	220	275	167	1	S61L8UI002
		Hub 10 holes M22X1,5		S61L1UI002	280	335	167	1	S61L1UI002
		Hub 10 holes M22X1,5		S61LRUI001	175	225	167	1	S61LRUI001
	4a	Crown nut	S57548B6	M48x1,5	65	-	2	OSPD4802	
	4b	Spring pin	S58209	5	58	-	2		
	5a	TVZ cap with gasket	S561125T1N	139	62	-	2	OSPTA201	
	5b	Screw M8x1,25	S96308A0101	-	-	-	12		
5a	Neutral cap with gasket	S561125T2	139	62	-	2	OSPTA2A1		
5b	Screw M8x1,25	S96308A0101	-	-	-	12			

