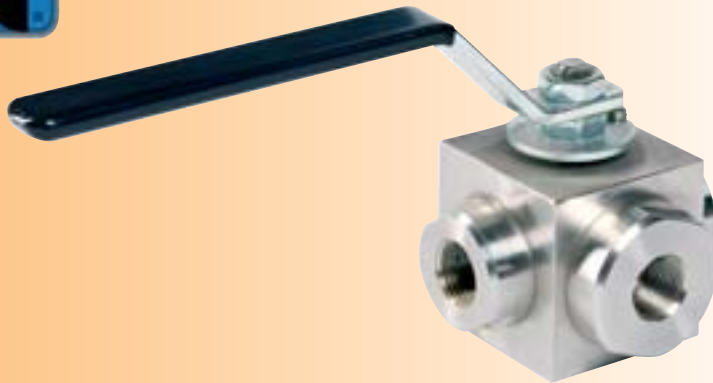


FT2221/3



THREE-WAY BALL VALVES

Used to obtain a quick flow shut-off, avoiding noticeable pressure drop, the FT 221/3 ball valves are designed to obtain perfect sealing, easy and quick operation under high pressure conditions. The noticeable solidity, the material selection and the accurate machining allow their use at working pressure up to 315 bar and with every kind of fluids, such as: hydraulic oil, fuel, emulsions and liquids in general.

Standard version: a L

Requested: a T

Available 800 PSI version

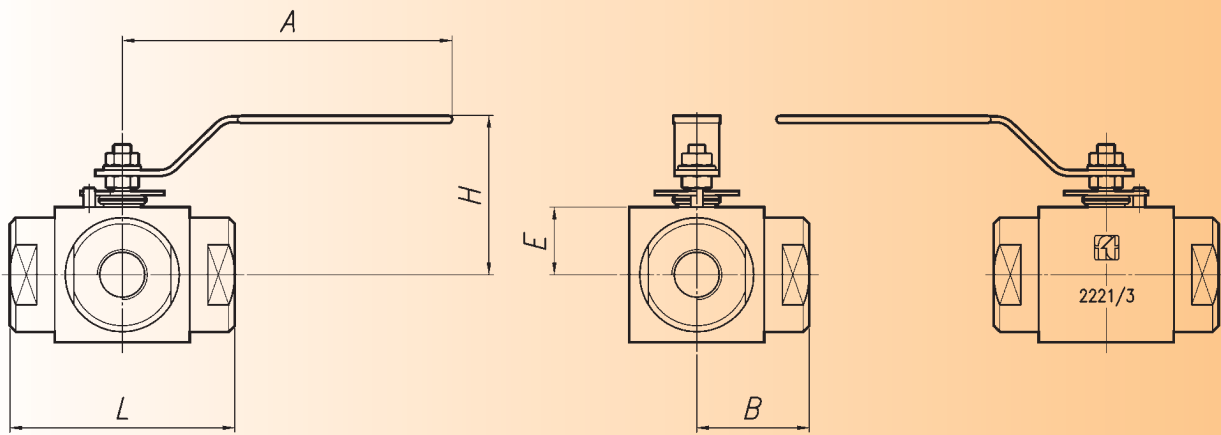
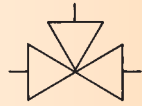


materials

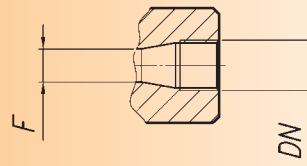
Body	ASTMA 182F316L
Control stem	ASTMA 182F316L
Ball	ASTMA 182F316L
Stem seal	Viton
Ball seal	PTFE

example for ordering

Code	Type
FT 2221/3	34



connection details attacks



85

dimensions

Type	DN	DN	A	B	E	F	h	L	Weight kg
14	1/4"Gas	8	150	37,5	22,5	11	63	75	1,2
38	3/8"Gas	10	150	37,5	22,5	11	63	75	1,2
12	1/2"Gas	15	185	45	30	14	85	90	2,1
34	3/4"Gas	20	185	51	35	20	90	102	2,9
100	1"Gas	25	285	60	40	25	95	120	4,6
114	1 1/4"Gas	32	285	67,5	45	32	100	135	5,9
112	1 1/2"Gas	40	285	77,5	50	38	105	155	9,9