

FT2221/1



HIGH PRESSURE TWO-WAY BALL VALVES

Used to obtain a quick flow shut-off, avoiding noticeable pressure drop, the FT 2221/1 ball valves are designed to obtain perfect sealing, easy and quick operation under high pressure conditions.

The noticeable solidity, the material selection and the accurate machining allow their use at working pressure from 320 to 500 bar and with every kind of fluids, such as: hydraulic oil, fuel, emulsions and liquids in general.

Available 800/3000/6000 PSI versions.

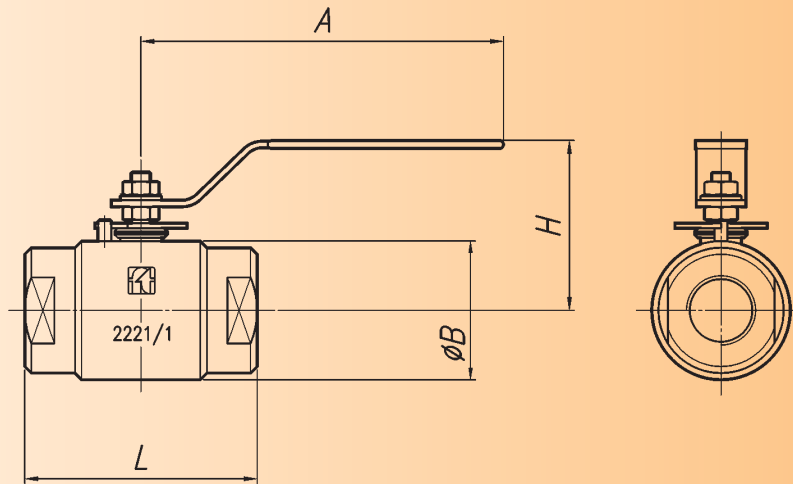
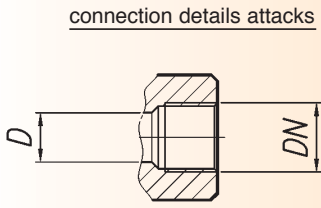


materials

Body	ASTMA 182F316L
Control stem	ASTMA 182F316L
Ball	ASTMA 182F316L
Stem seal	Viton
Ball seal	PTFE

example for ordering

Code	Type
FT 2221/1	34



dimensions

Type	DN	DN	A	ØB	D	h	L	Weight kg
14	1/4" Gas	8	150	40	6	62	65	0,6
38	3/8" Gas	10	150	40	10	62	65	0,6
12	1/2" Gas	15	150	50	13	70	75	0,9
34	3/4" Gas	20	185	60	20	85	90	1,55
100	1" Gas	25	185	65	24	90	100	2,2
114	1 1/4" Gas	32	285	75	32	95	115	3,5
112	1 1/2" Gas	40	285	90	38	100	125	4,4
200	2" Gas	50	285	100	48	105	150	6,1

