



Products

		Without Pressure Relief Valve			With Pressure Relief Valve			
		CELLULOSE MEDIA			CELLULOSE MEDIA			
		/4	/1		/4	/1		
		40µm Air	10µm Air		40µm Air	10µm Air		
Family	RMF		RMF		RMF		RMF	
TCO300	300	P171847	270	P171848				
TCO500	500	P173251	470	P171855	500	P171850	470	P171857
TCO501	500	P171851	470	P171856	500	P171852	470	P171858
TCO502	500	P171851	470	P171859	500	P171854	470	P171860
TCO502			470	P761184				

RMF = Recommended Maximum Flow in liters/minute

Technical Data

Series TCO 300:

- Non removable 500 micron mesh basket.

Series TCO 500:

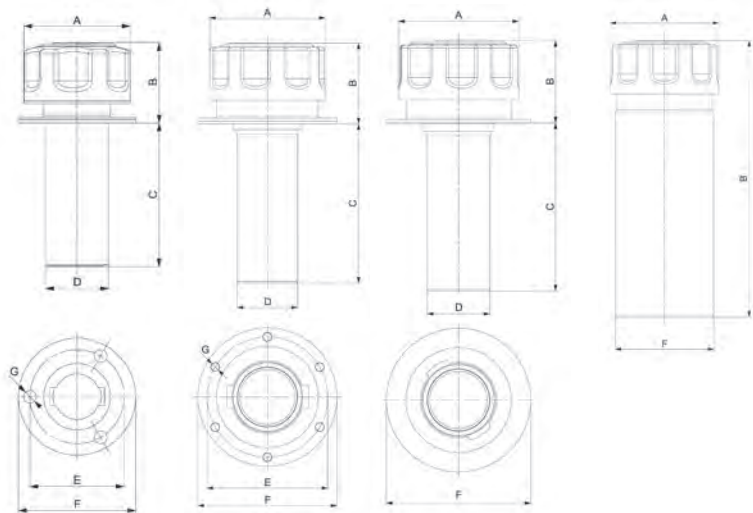
- Removable 500 micron mesh basket.
- 40-10 micron air filter.
- Easy tightening.
- Drilled flanges and fixing screws.

Series TCO 501:

- Features as TCO 500 but with weldable flange.

Series TCO 502:

- Features as TCO 500 but with longer weldable external tube.



TCO300

TCO500

TCO501

TCO502

Series TCO 503:

- Non removable 125 micron mesh basket.

Series TCO 500, 501, 502 and TCO 503:

- Available with pressure relief valve setting at 40 kPa (0,4 bar).

For all tank mounting hole: D+2 mm; all screws: M5x12 (UNI 5931)

DIMENSIONS						
A	B	C	D	E	F	G
mm	mm	mm	mm	mm	mm	mm
46	35	63	28	41	51	5,5 (3)
70	46	100	38	73	84	5,5 (6)
70	46	100	38		84	
70	180				64	
70	89	188	59	73	84	5,5 (6)



TCO300



TCO500



TCO501



TCO502

ACCESSORIES

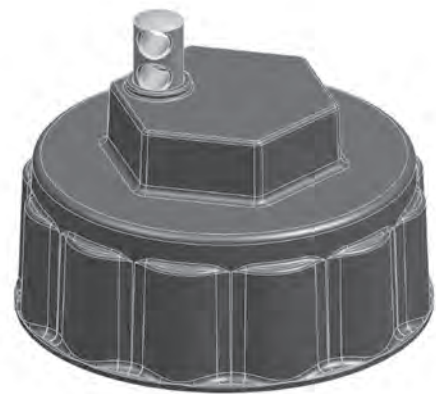
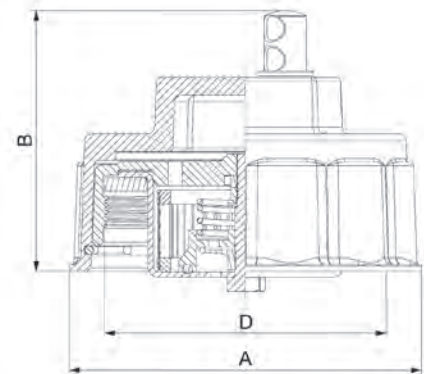
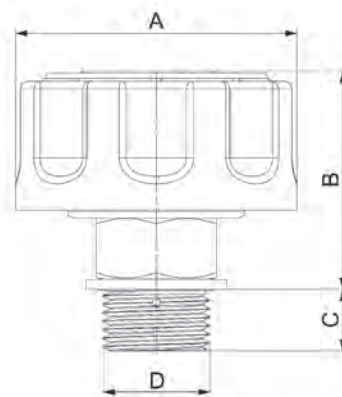
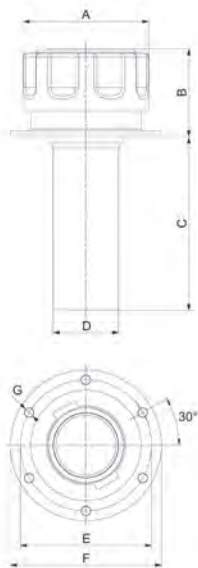


Products

	Partnumber	Reference Drawing	Relief Valve	Lock Connection	Extra Features
RMF			bar		
270	P763513	A	none	no	chain
270	P763528	B	none	no	G1/4 screw masculin
500	P762065	A	0,4	yes	-
500	P173266	A	0,4	yes	oil antisplash
500	P173259	A	none	yes	removable mesh filter 500µm
500	P761036	A	none	yes	removable mesh filter 500µm
500	P173253	A	0,4	yes	removable mesh filter 500µm
470	P172493	B	0,4	yes	G3/4 screw masculin
500	P173475	C	0,7	yes	M80x2 feminin
-	P763672	C	none	yes	M80x2 feminin

DIMENSIONS							Holes
A	B	C	D	E	F	G	Amount
mm	mm	mm	mm	mm	mm	mm	
46	35	63	28	41	51	5,5	3
46	41	14	-	-	-	-	-
70	46	-	-	73	84	5,5	
70	46	22	38	73	84	5,5	6
70	46	100	38	73	84	5,5	6
70	46	100	38	73	84	5,5	6
70	46	138	38	73	84	5,5	6
70	49	20	-	-	-	-	-
100	74	-	-	-	-	-	-
100	74	-	-	-	-	-	-

RMF = Recommended Maximum AIR-Flow in liters/minute



Reference Drawing A

Reference Drawing B

Reference Drawing C

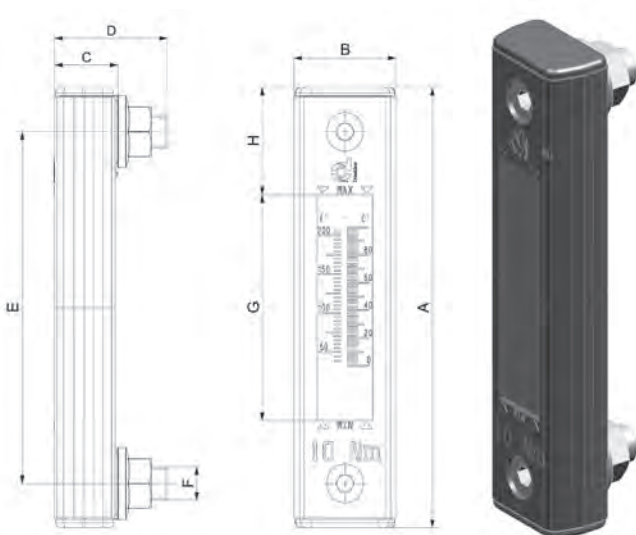


Products

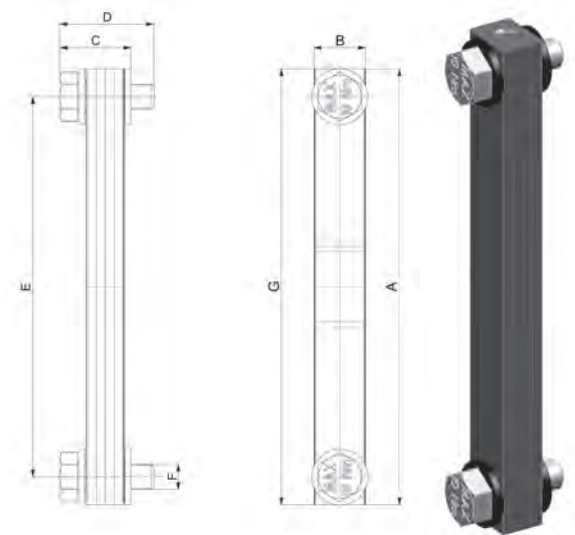
Family	Without thermometer	With thermometer	LEVEL GAUGE DIMENSIONS						Reference Drawing		
			A	B	C	D	E	F		G	H
			mm	mm	mm	mm	mm		mm	mm	
LVO(T)76	P171913	P171915	108	37	23	41	76	M10	31	39	A
LVO(T) 77	P171914	P171916	108	37	23	41	76	M12	31	39	A
LVO(T) 127	P171917	P171919	159	37	23	41	127	M10	82	39	A
LVO(T) 128	P171918	P171920	159	37	23	41	127	M12	82	39	A
LVO(T) 150	P177439	P177438	172	22	28	37	150	M10	172	NA	B
LVO(T) 254	P171921	P171922	285	37	23	41	254	M12	2x82	39	A

Technical Data

- Installed on tanks holding mineral oils or petroleum based fluids, they allow a clear and direct oil level or oil level and temperature indication.
- Lens of transparent material protected by metal section, seals "O" Ring of "BUNA" rubber.
- Maximum working pressure: 100 kPa (1bar) for pressurised tanks.
- Recommended bolt tightening torque 10 Nm, with inside nut for tightening directly on the tank.
- LVO serie without thermometer.
- LVOT with thermometer 30°-90°C.
- Threaded per UNI 4534-UNI 5545



Reference Drawing A



Reference Drawing B