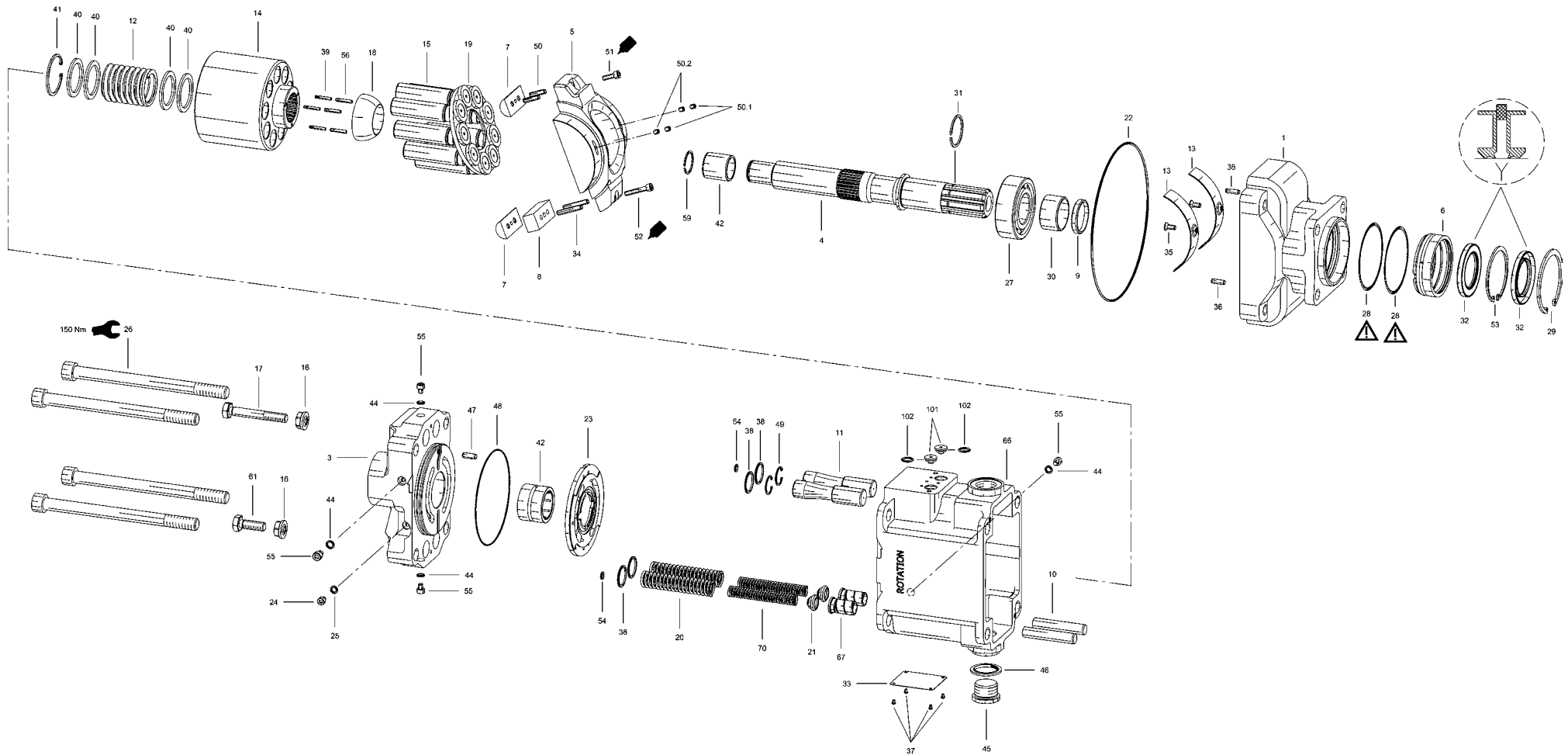




SVH 092 DIN Release No. 03





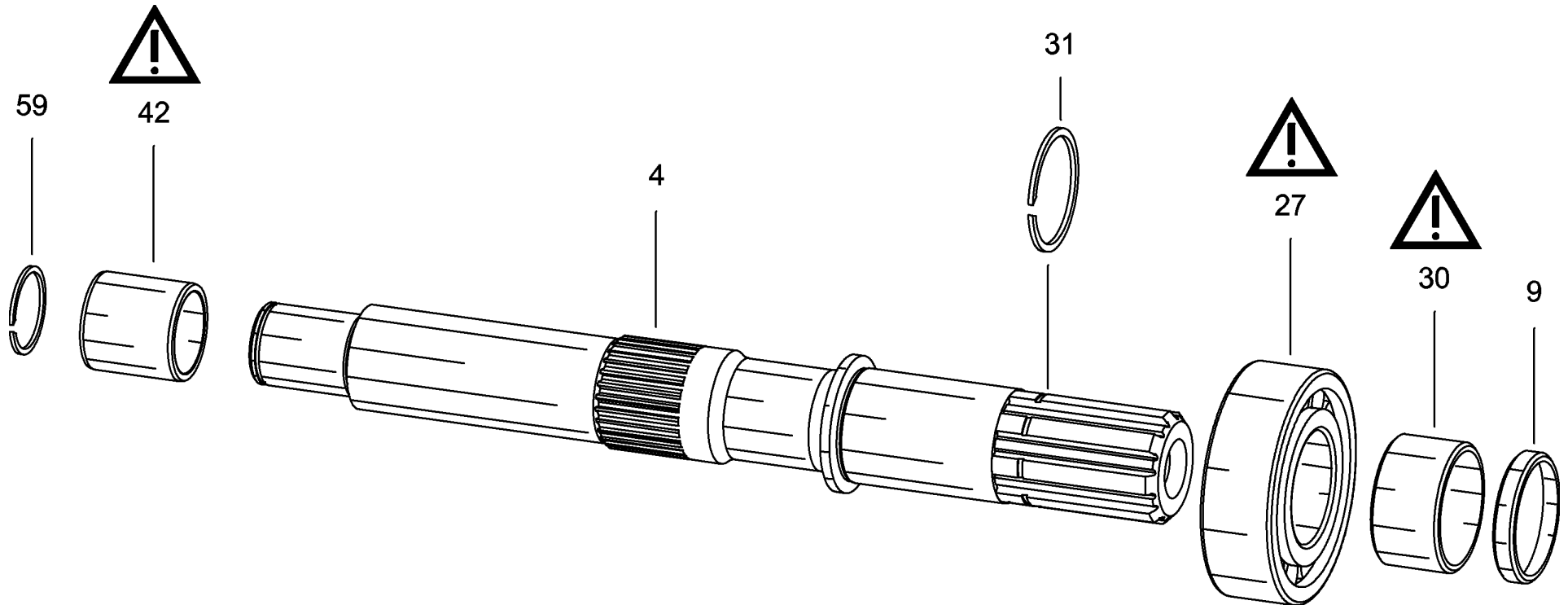
SVH 092 DIN Release No. 03

Item	Part No.	Qty.	Nomenclature	Add. Information
1	7940987.00	1	Front housing SVH-092/03	Coding Y
1	7941015.00	1	Front housing DD SVH-092/03	Coding G
3	7941010.00	1	End-housing SVH-092/03	Ports conforming ISO 228/1 (BSPP)
3	7941022.00	1	End-housing/SUNFAB/UN SVH-092	Ports conforming SAE J 514
3	7941020.00	1	End-housing SVH-092-03/-2	Ports conforming ISO 228/1 (BSPP)
3	7941024.00	1	End-housing/UN/-2	Ports conforming SAE J 514
4-59	7941603.00	1	Ass. shaft SVH-092/03	Coding D, complete
4-59	7941795.00	1	Ass. Spline shaft DIN 5480 Spec SVH-092	Coding M, complete
5-52	7941604.00	1	Ass. Control head SVH-092/03	
6	7929011.00	1	Seal Bushing	Mount parts 32 and 53 to complete the sleeve!
10	7929014.00	2	Control Piston(small)SVH-092	Observe mounting direction: Piston have to be lubed and freely moving - spheroidal ends must face the spring retainers
12-41	7940153.00	1	Ass. Piston Barrel SVH-092	Complete
11	7940349.00	2	Control Piston big SVH	Observe installation direction - lube prior to assembly!
13	7942303.00	2	Bearing cup	
16	7992040.00	2	Seal-lock nut M10	Only apparent at end housings with stroke limitation!
17	7994211.00	1	Sechsk.Sch. M10x 70 DIN933-8.8	Only apparent at end housings with stroke limitation!
20	7929033.00	2	Spring SVH	
21	7929012.00	2	Spring Disc SVH	Mounting hint: Fix it via grease to the spring
23	7942305.00	1	Port plate R	At clockwise pump rotation!
23	7942306.00	1	Port plate L	At counter clockwise pump rotation!
24	7993228.00	1	Screw M6x8 DIN 912-8.8	
26	7993230.00	4	Screw M14x190 DIN 912-10.9	Max. torque 150 Nm (crosswise)!

Item	Part No.	Qty.	Nomenclature	Add. Information
29	7991609.00	1	Retaining ring 72x2,5 DIN 472	
33	7993044.00	1	Type plate	Blank, for spares order a detailed type coding is required
35	7990924.00	2	Screw M 5x 12 DIN 7991-8.8	
36	7992543.00	2	Cylind. pin 5m6x16 DIN 6325	
37	7993589.00	4	Fludet spike 2,6x4 DIN 1476	
39	7992093.00	3	Needle roll NRB 3x19,8	
42	7993162.00	1	Needle bearing NA 6905	Outer bearing race incl. needles and cage are pressed in to the end housing (inner race is already mounted on the shaft)
45	7992051.00	1	Plug screw G 3/4 A DIN 908	No coding (Central housing)
47	7993181.00	1	Roll pin 6x16 DIN7343	Pressed into the end housing
49	7992839.00	2	Retaining ring 21x1 DIN 472	
53	7991036.00	1	Retaining ring 62x2 DIN 472	Observe mounting, see detail „Y“
55	7993229.00	3	Screw M5x6 DIN 912-8.8	
56	7993159.00	3	Needle roll NRB 3,5x19,8	
61	7990781.00	1	Hex.head s. M10x 30 DIN933-8.8	Only apparent at end housings with stroke limitation!
66	7940988.00	1	Middle housing LV SVH-092/03	No coding, Ports conforming ISO 228/1 (BSPP)
66	7941026.00	1	Middle housing LV/UN SVH-092/03	Coding UNF, Ports conforming SAE J 514
67	7942072.00	2	Bushing	Pressed into central housing, dropped bushing from May/2012!
70	7940824.00	2	Spring SVH-092/112	Insert in spring item 20
22-54	7942033.00	1	Ass. Seal kit SVH-092/03	Coding N, Seal kit complete (NBR)
22-54	7941652.00	1	Seal kit FKM SVH-092/03	Coding V, Seal kit complete (FKM)
101	7940422.00	2	Plug	
102	7990236.00	2	O- ring (9,25x1,78)012- 8309	



Ass. shaft SVH-092/03



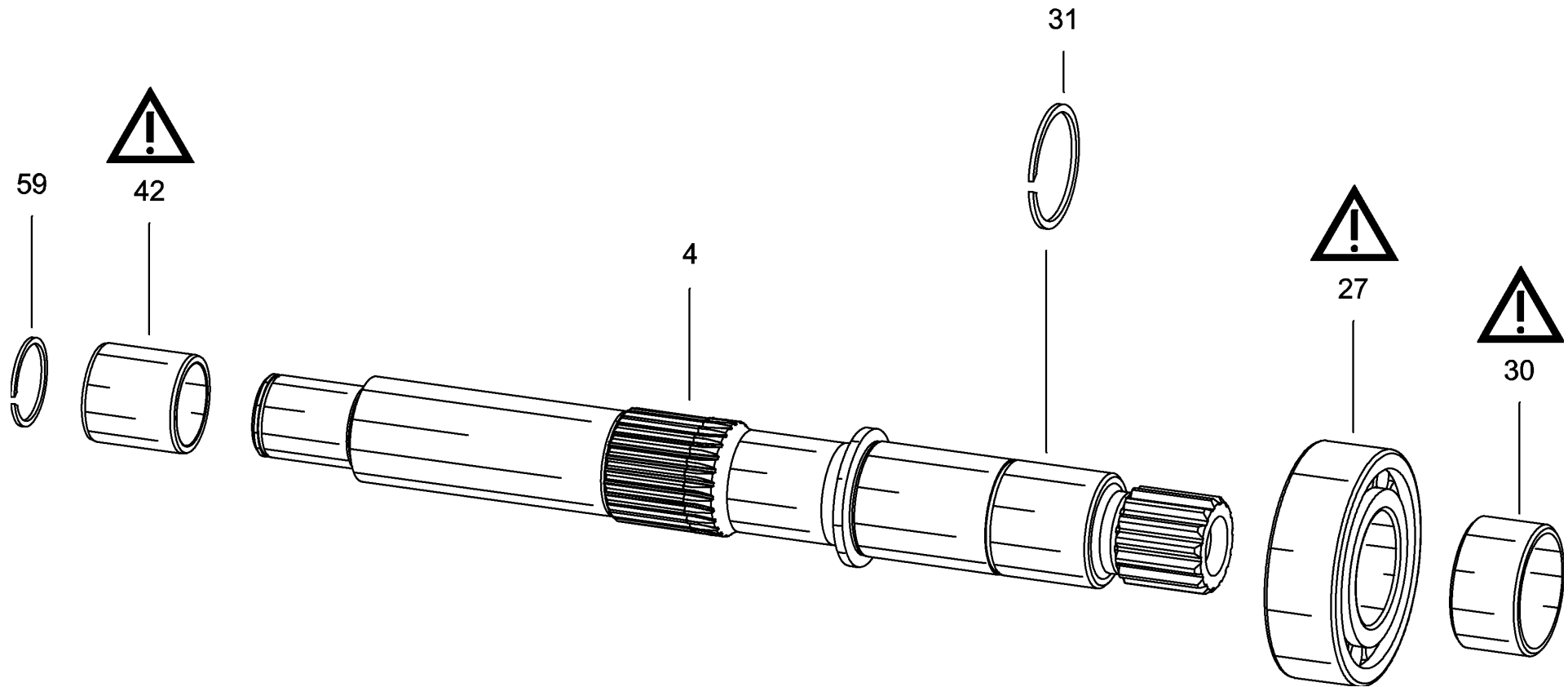


Ass. shaft SVH-092/03

Item	Part No.	Qty.	Nomenclature	Add. Information
4	7940503.00	1	Shaft SVH-092-02/03	
9	7929083.00	1	Ring SVH	
27	7992806.00	1	Roller bearing NUP 2207 E G15	Attention: The roller bearing is shrunk-fitted on the shaft
30	7993123.00	1	Inner race IR 35x40x30 EGS	Attention: The sleeve is shrunk-fitted on the shaft!
31	7991827.00	1	Snap ring SW 35	
42	7993162.00	1	Needle bearing NA 6905	Attention: The inner race of the needle bearing is press-fitted on the shaft!
59	7993154.00	1	Snap ring SW 25	



Ass. Spline shaft DIN 5480 Spec SVH 092/03



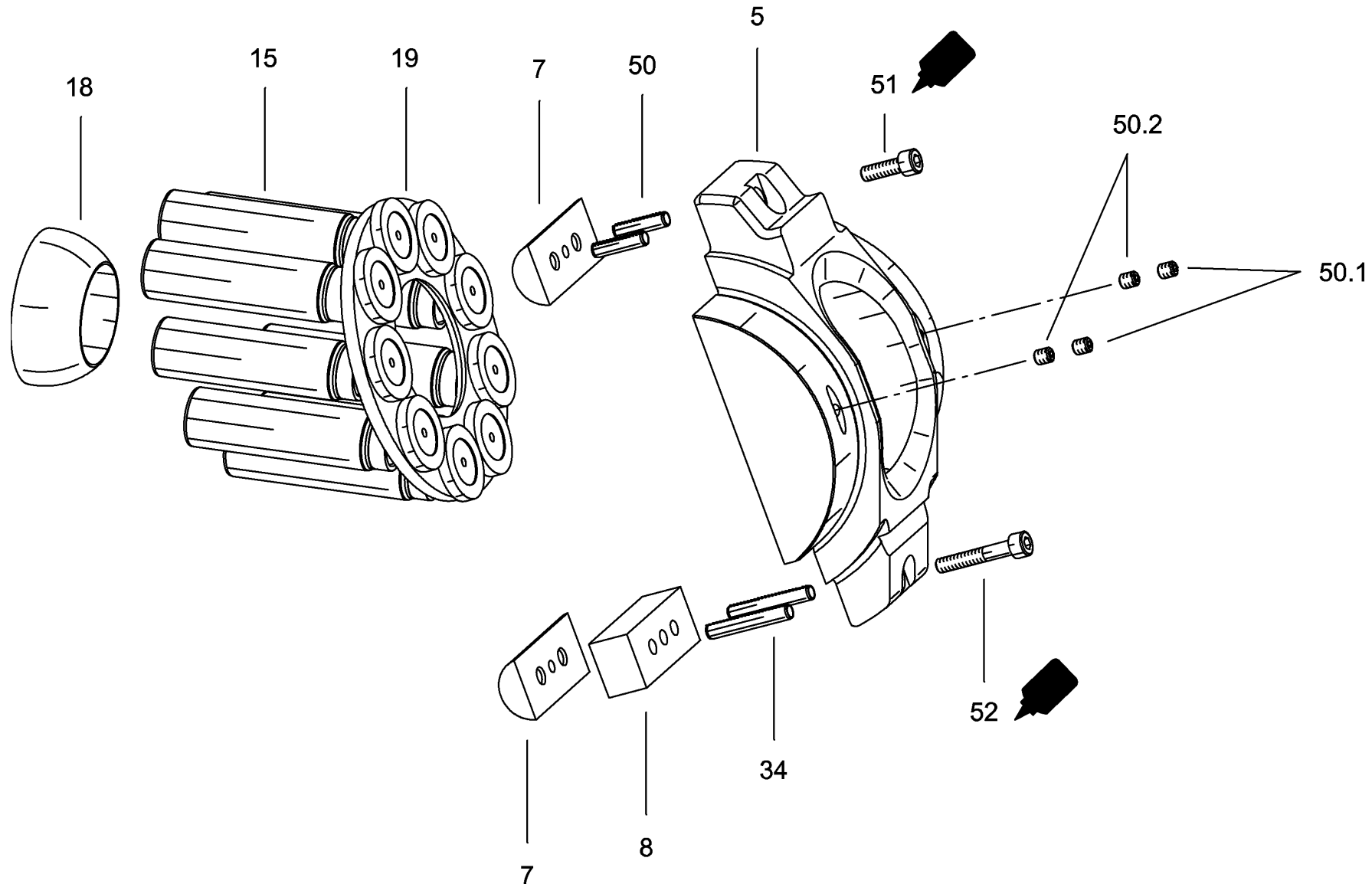


Ass. Spline shaft DIN 5480 Spec SVH 092/03

Item	Part No.	Qty.	Nomenclature	Add. Information
4	7944945.00	1	Spline shaft DIN 5480 So.	
27	7992806.00	1	Roller bearing NUP 2207 E G15	Attention: The roller bearing is shrunk-fitted on the shaft
30	7993123.00	1	Inner race IR 35x40x30 EGS	Attention: The sleeve is shrunk-fitted on the shaft!
31	7991827.00	1	Snap ring SW 35	
42	7993162.00	1	Needle bearing NA 6905	Attention: The inner race of the needle bearing is press-fitted on the shaft!
59	7993154.00	1	Snap ring SW 25	



Ass. Control head SVH 092/03



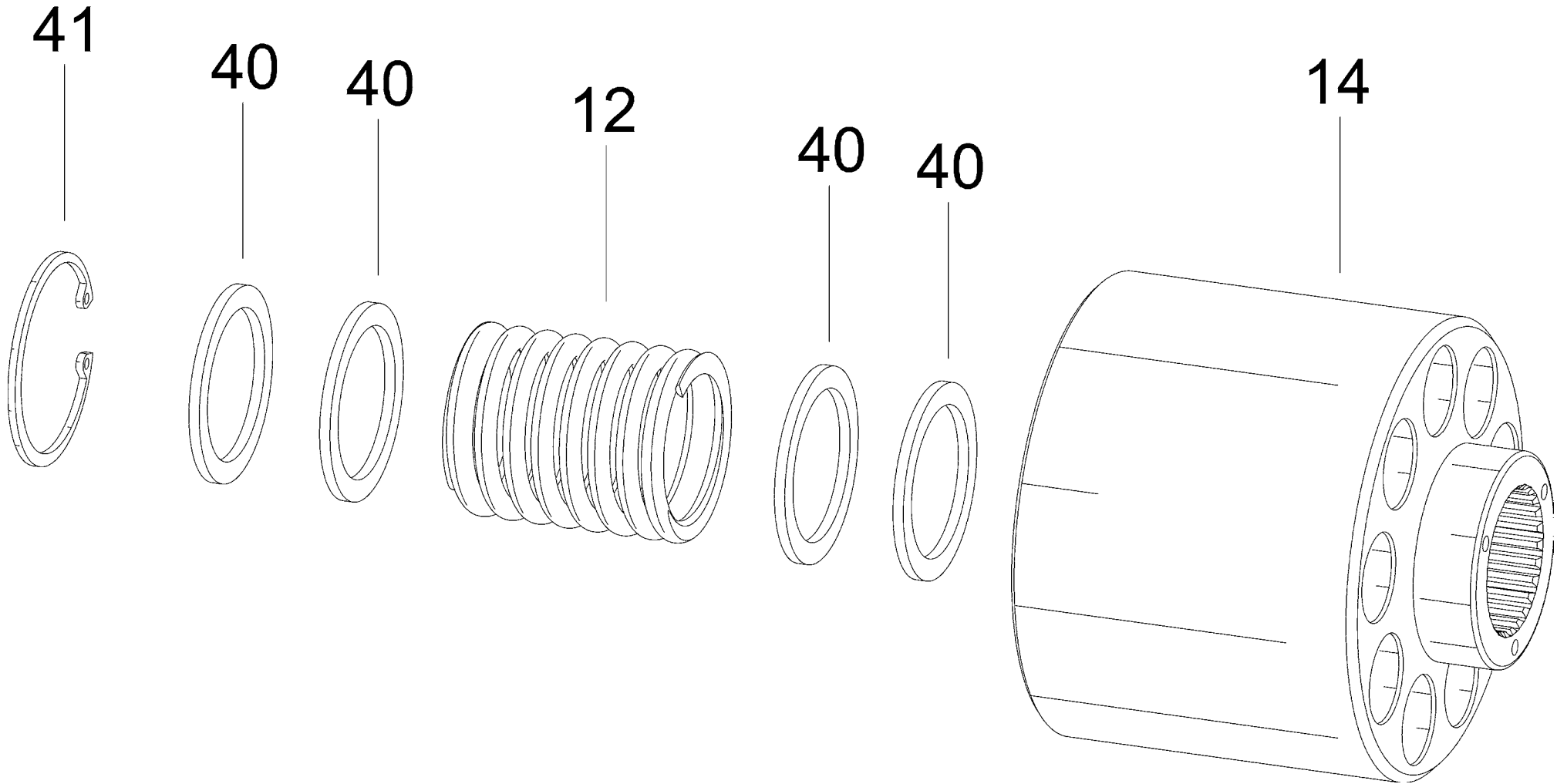


Ass. Control head SVH 092/03

Item	Part No.	Qty.	Nomenclature	Add. Information
5	7942302.00	1	Swash plate	Deburr and clean surface!
50.1	7992615.00	2	Throttle 3,0 (M 6x6 DIN 913)	
50.2	7992891.00	2	Throttle 0,8 (M 6x6 DIN 913)	
7	7941295.00	2	Pressure piece SVH	
8	7929013.00	1	Intermediate piece SVH	
15	7929807.00	9	Ass. Piston SVH-062/-092/-112	Lube pistons prior to assembly!
18	7929009.00	1	Central ball SVH-092	
19	7929008.00	1	Return plate SVH-092	
34	7993188.00	2	Connex-cocking pin SG 5x32	
50	7992606.00	2	Connex-cocking pin SG 5x20	
51	7991873.00	1	Screw M 5x 16 DIN 912	Secured with liquid threadlock!
52	7992182.00	1	Screw M 5x 30 DIN 912	Secured with liquid threadlock!



Ass. Piston barrel SVH 092



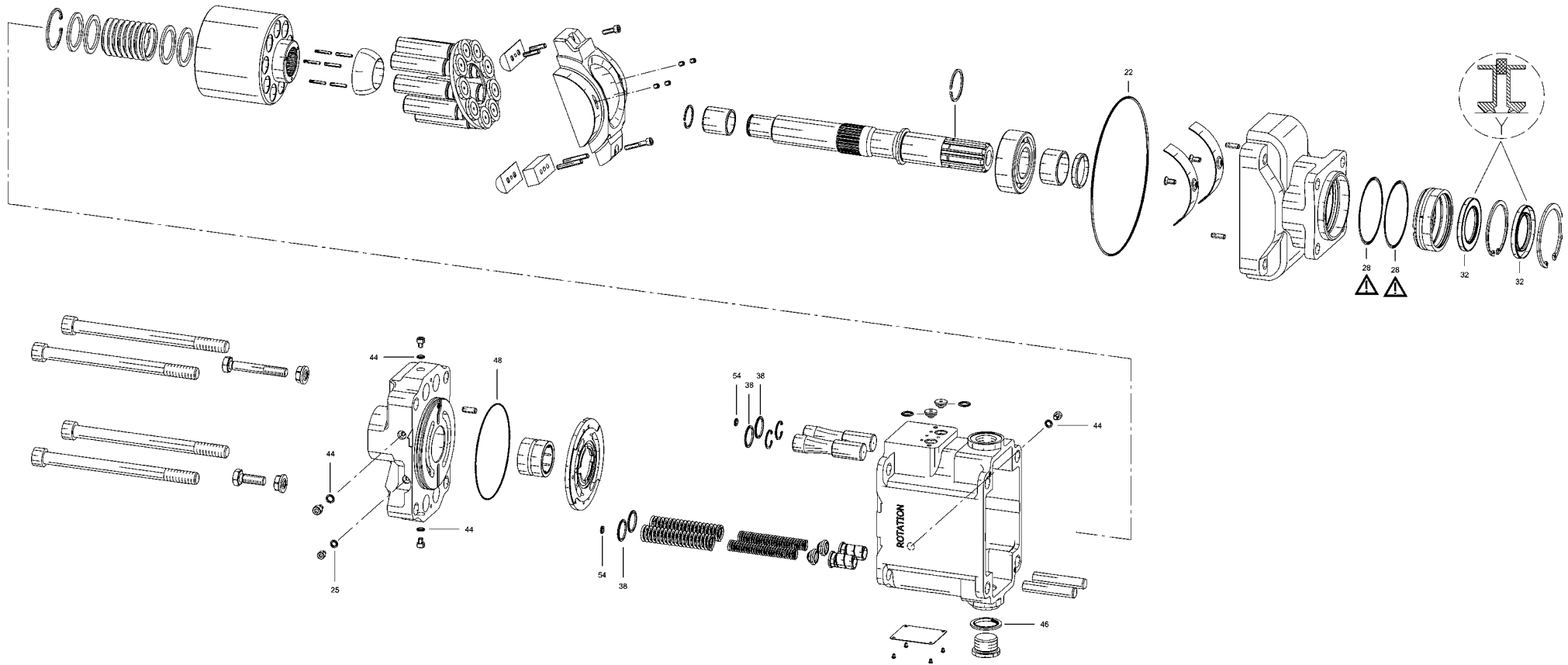


Ass. Piston barrel SVH 092

Item	Part No.	Qty.	Nomenclature	Add. Information
12	7921565.00	1	Spring div.contr. V30B-128	Individual not available!
14	7929016.00	1	Cylinder barrel SVH-092	Individual not available!
40	7993183.00	4	Thrust washer SS 35x45x2.5	Individual not available!
41	7993129.00	1	Retaining ring 46x1,75 DIN 472	Individual not available!



Ass. Seal kit SVH 092/03



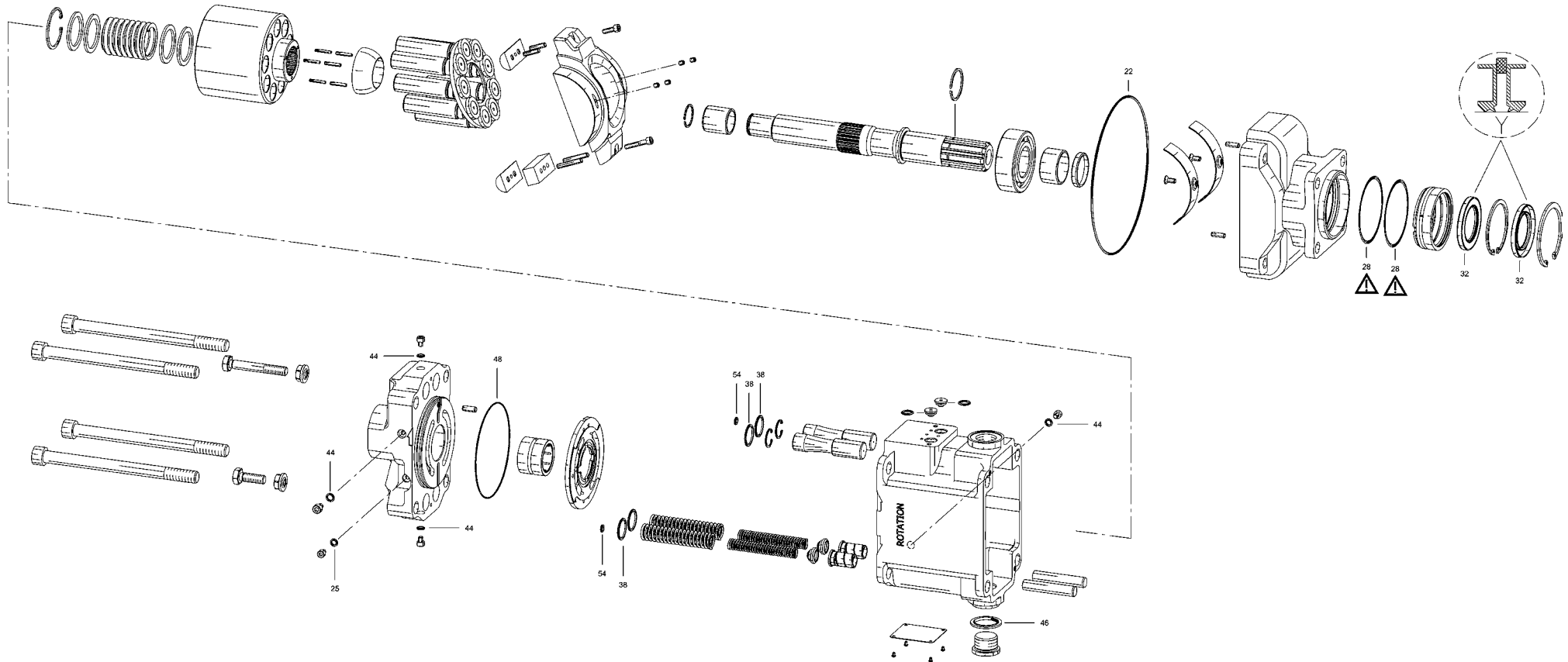


Ass. Seal kit SVH 092/03

Item	Part No.	Qty.	Nomenclature	Add. Information
22	7993684.00	1	O-ring 178x2 NBR 70shore	Individually not available!
25	7991398.00	1	Bonded washer U 6,70x10x1	Individually not available!
28	7992122.00	2	O-ring (72,69x2,62)NBR 70Shore	Individually not available!
32	7991906.00	2	Shaft seal 40x62x6-6,5 N	Observe mounting, see detail „Y“, individually not available!
38	7993126.00	4	Kantseal-ring DKAR 00020-N9011	Individually not available!
44	7991963.00	4	Bonded washer U 5,70x 9x1	Individually not available!
46	7992469.00	1	Bonded washer U 27,20x36x2	Individually not available!
48	7991744.00	1	O- ring (101,27x2,62)155- 8309	Individually not available!
54	7993163.00	2	Kantseal-ring DKAR 00009-N9006	Individually not available!



Seal kit FKM SVH 092/03





Seal kit FKM SVH 092/03

Item	Part No.	Qty.	Nomenclature	Add. Information
22	7993873.00	1	O- Ring 178x2 FKM 70Shore	Individually not available!
25	7993537.00	1	Bonded washer U 6,70x10x1	Individually not available!
28	7993251.00	2	O-ring (72.69x2.62)FKM 70Shore	Individually not available!
32	7991988.00	2	Shaft seal 40x62x6-6,5 V	Observe mounting, see detail „Y“, individually not available!
38	7994174.00	4	Kantseal 21,95x1,68	Individually not available!
44	7993525.00	2	Bonded washer U 5,70x 9x1	Individually not available!
46	7993853.00	1	Bonded washer U 27,20x36x2	Individually not available!
48	7993618.00	1	O- ring (101,27x2,62)	Individually not available!
54	7993254.00	2	Kantseal-ring DKAR 00009-V90	Individually not available!