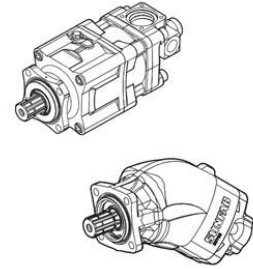
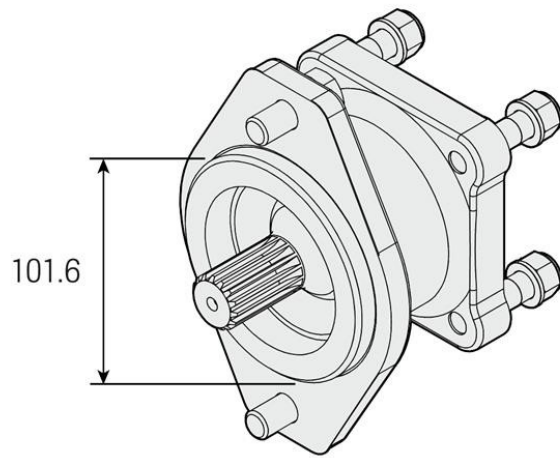




Adapter  
 Adapter  
 Adapter

# SAE-B B 15T



SAE-B 2	61055	450Nm	DIN 5462 (ZF)
---------	-------	-------	---------------