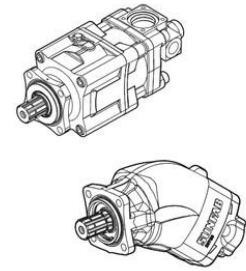
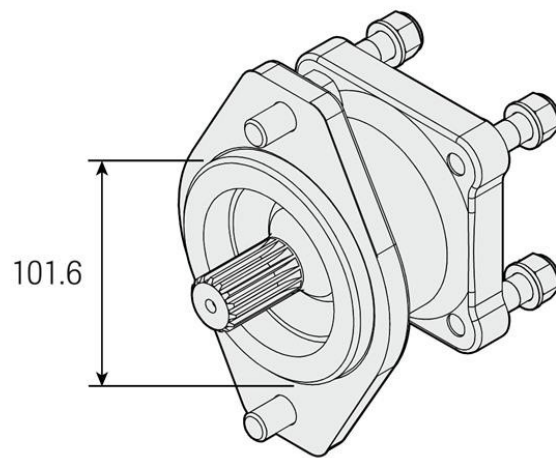




Adapter  
 Adapter  
 Adapter

SAE-B 13T



SAE-B 2	61058	300Nm	DIN 5462 (ZF)
---------	-------	-------	---------------