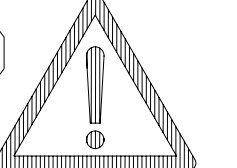
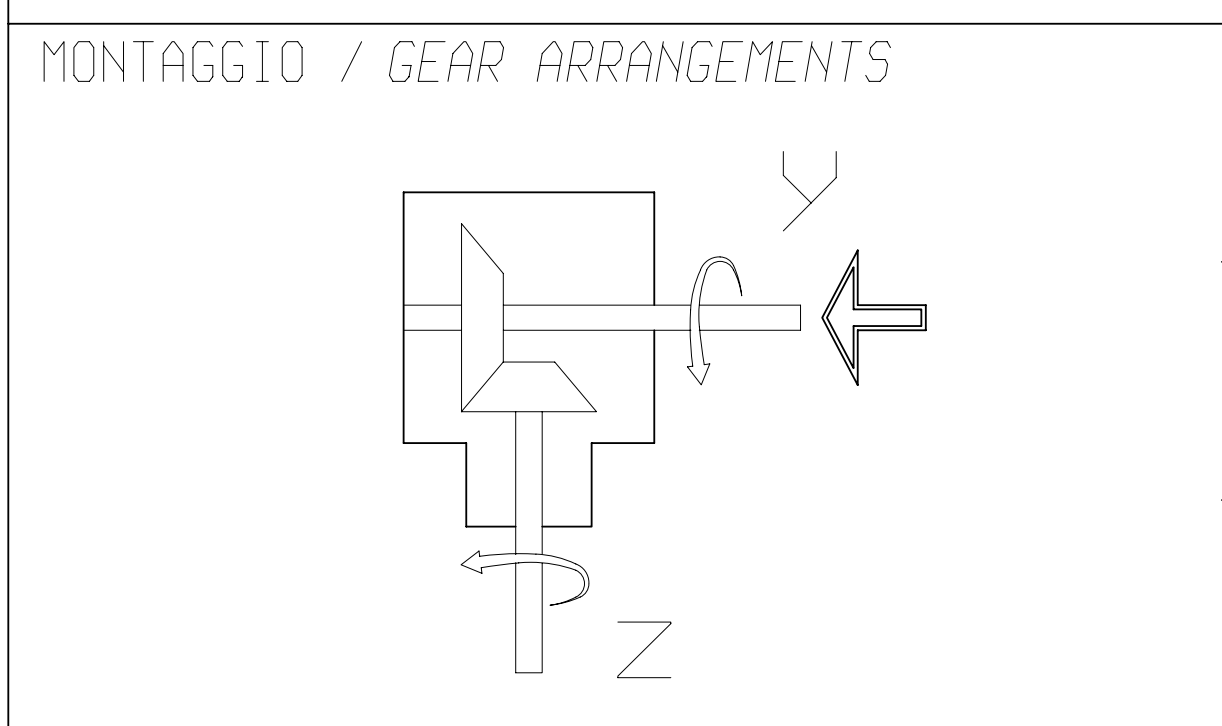


WARNING!
 ROTATING SHAFTS MARKED  ARE NOT SHIELDED. ANY SHAFT AND COUPLING NOT GUARDED BY LOCATION MUST BE SHIELDED BY AN INTERACTIVE GUARDING SYSTEM. BONDOLI & PAVESI DECLINES RESPONSIBILITY IF PROPER GUARDS ARE NOT PROVIDED AND MAINTAINED.

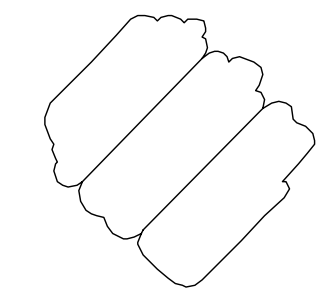
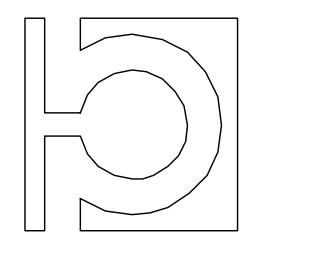
a	Aggiornamento rappresentazione pallinatura, vedi sezionato.	Piumacci	15/6/2011
Rev.	Descrizione Modifica	Operatore	Data



RAPPORTO / RATIO	1:1.93
GIRI IN ENTRATA / INPUT SPEED	540
POTENZA IN ENTRATA / INPUT POWER	82 CV 60 KW

TIPO / TYPE	2071
TIPO DI MACCHINA / TYPE OF IMPLEMENT	
RIF. CLIENTE / CUSTOMER REF.	

CLIENTE / CUSTOMER	
PESO / WEIGHT	
DISEGNATO / DESIGNED BY	SINIGAGLIA
DATA / DATE	17/02/98

 **BONDOLI & PAVESI** 

CODICE / CODE	S2071193F101
REV.	a