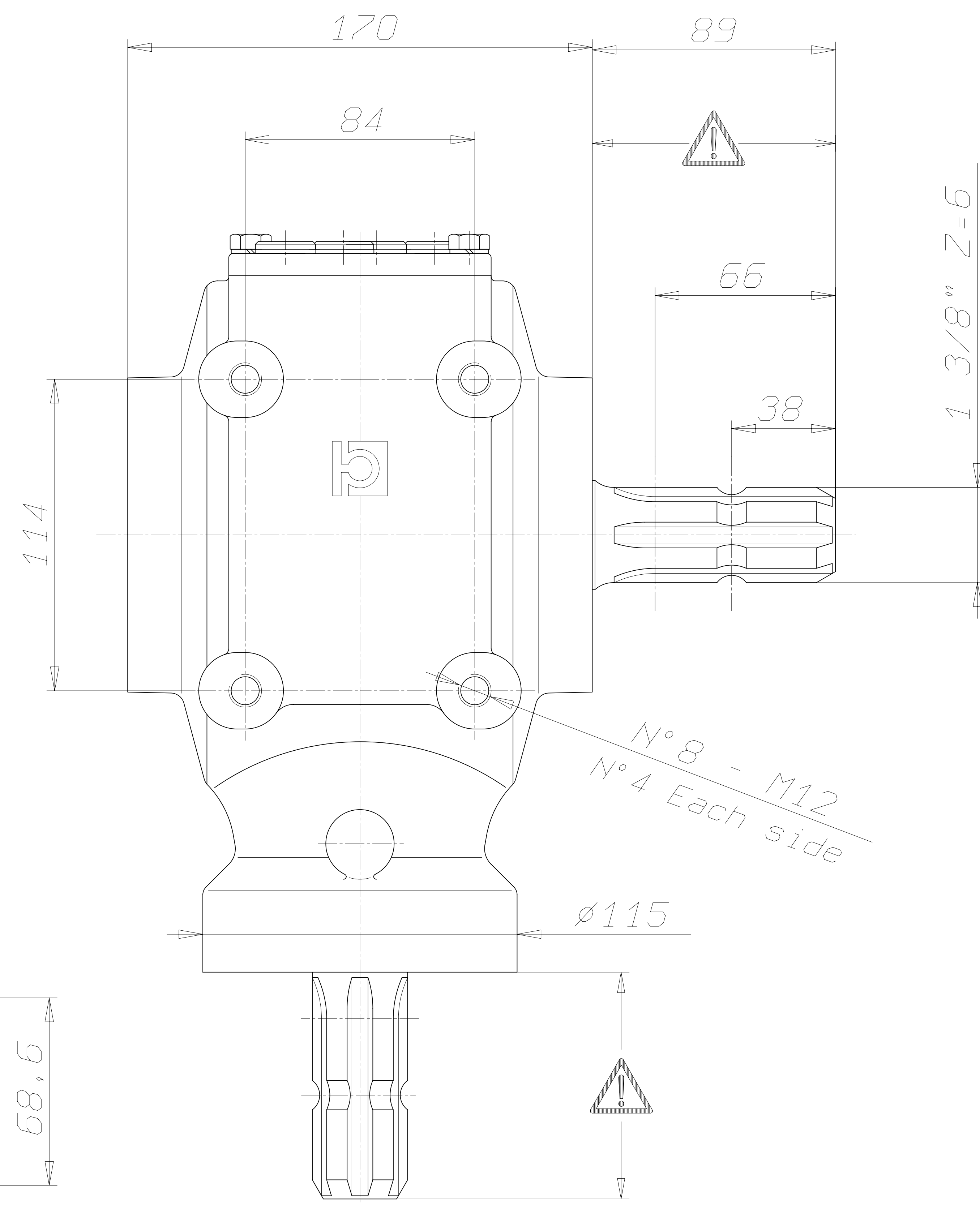
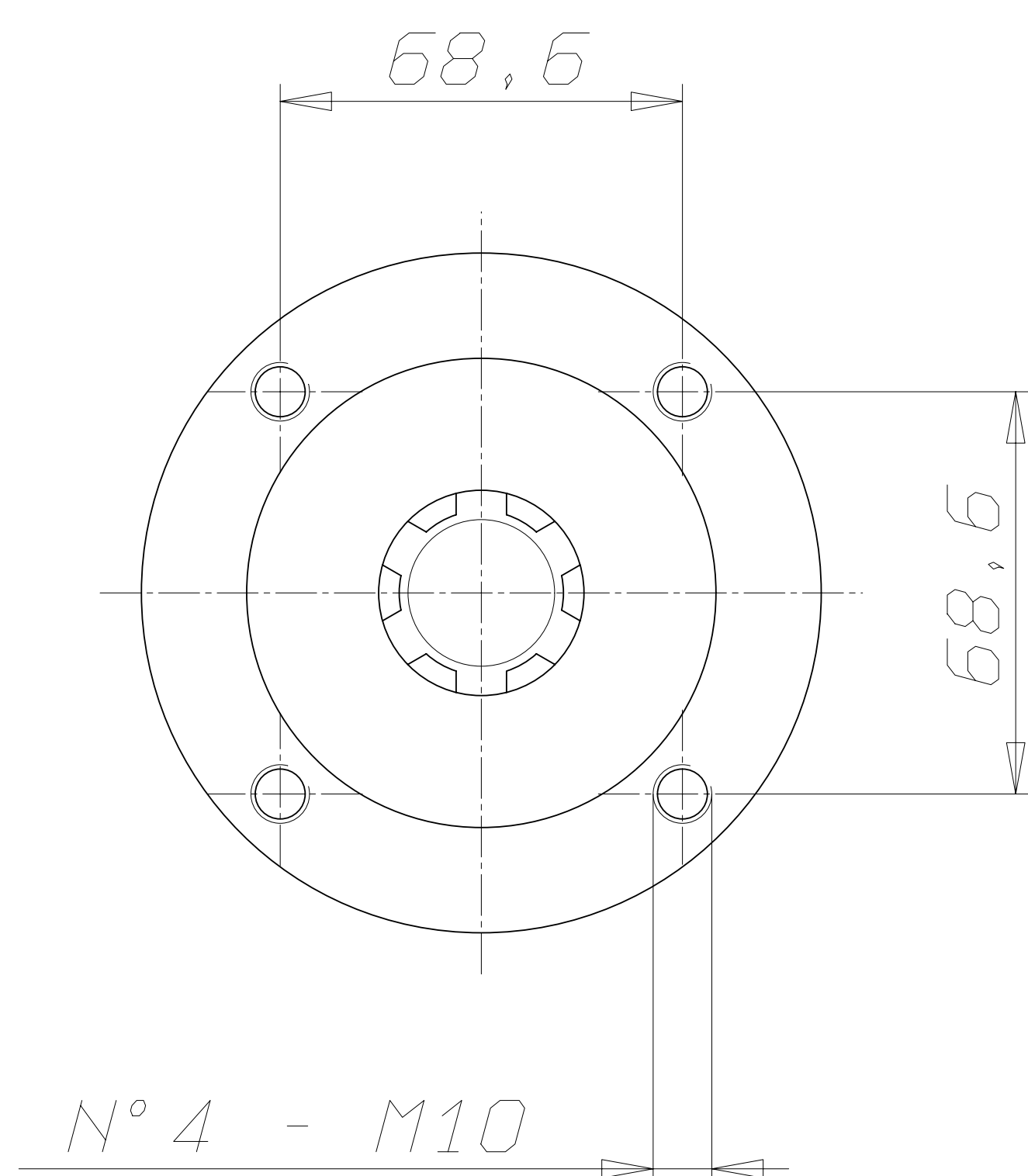
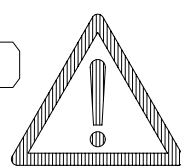
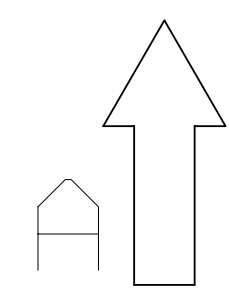


Partial view from "A"



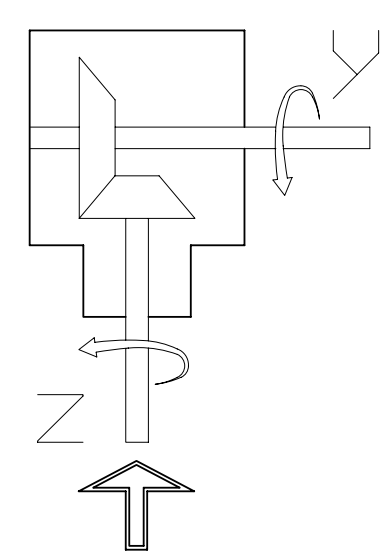
WARNING!

ROTATING SHAFTS MARKED  ARE NOT SHIELDED. ANY SHAFT AND COUPLING NOT GUARDED BY LOCATION MUST BE SHIELDED BY AN INTERACTIVE GUARDING SYSTEM. BONDOLI & PAVESI DECLINES RESPONSIBILITY IF PROPER GUARDS ARE NOT PROVIDED AND MAINTAINED.



| | | | |
|------|------------------------|------------|-----------|
| B | Era/was cod.355029035. | F.Turci | 17/1/2017 |
| a | Creto minidisegno | Raffaldoni | 3/6/2004 |
| Rev. | Descrizione Modifica | Operatore | Data |

MONTAGGIO / GEAR ARRANGEMENTS



RAPPORTO / RATIO

3.10:1

GIRI IN ENTRATA / INPUT SPEED

540

POTENZA IN ENTRATA / INPUT POWER

24 CV 18 KW

TIPO / TYPE

2061

CLIENTE / CUSTOMER

TIPO DI MACCHINA / TYPE OF IMPLEMENT

PESO / WEIGHT

DISEGNATO / DESIGNED BY

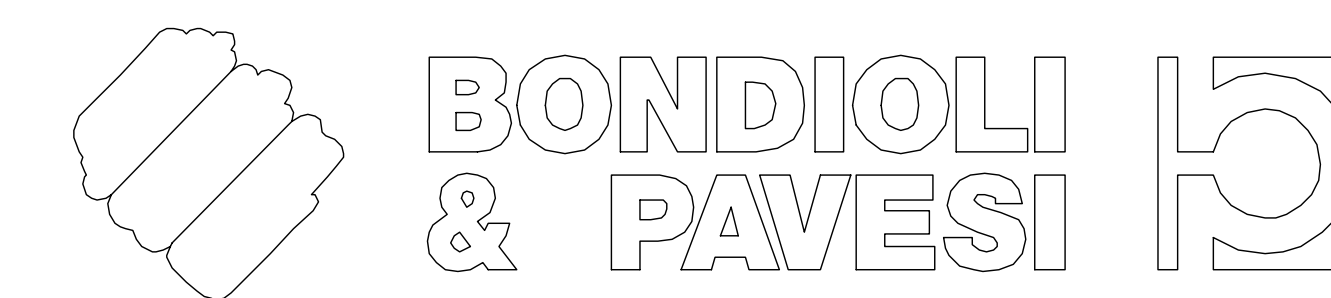
Raffaldoni

RIF.CLIENTE / CUSTOMER REF.

STUDIO / CONCEPT DRAWING

DATA / DATE

03/06/2004



CODICE / CODE

S2061310F101

REV.

B