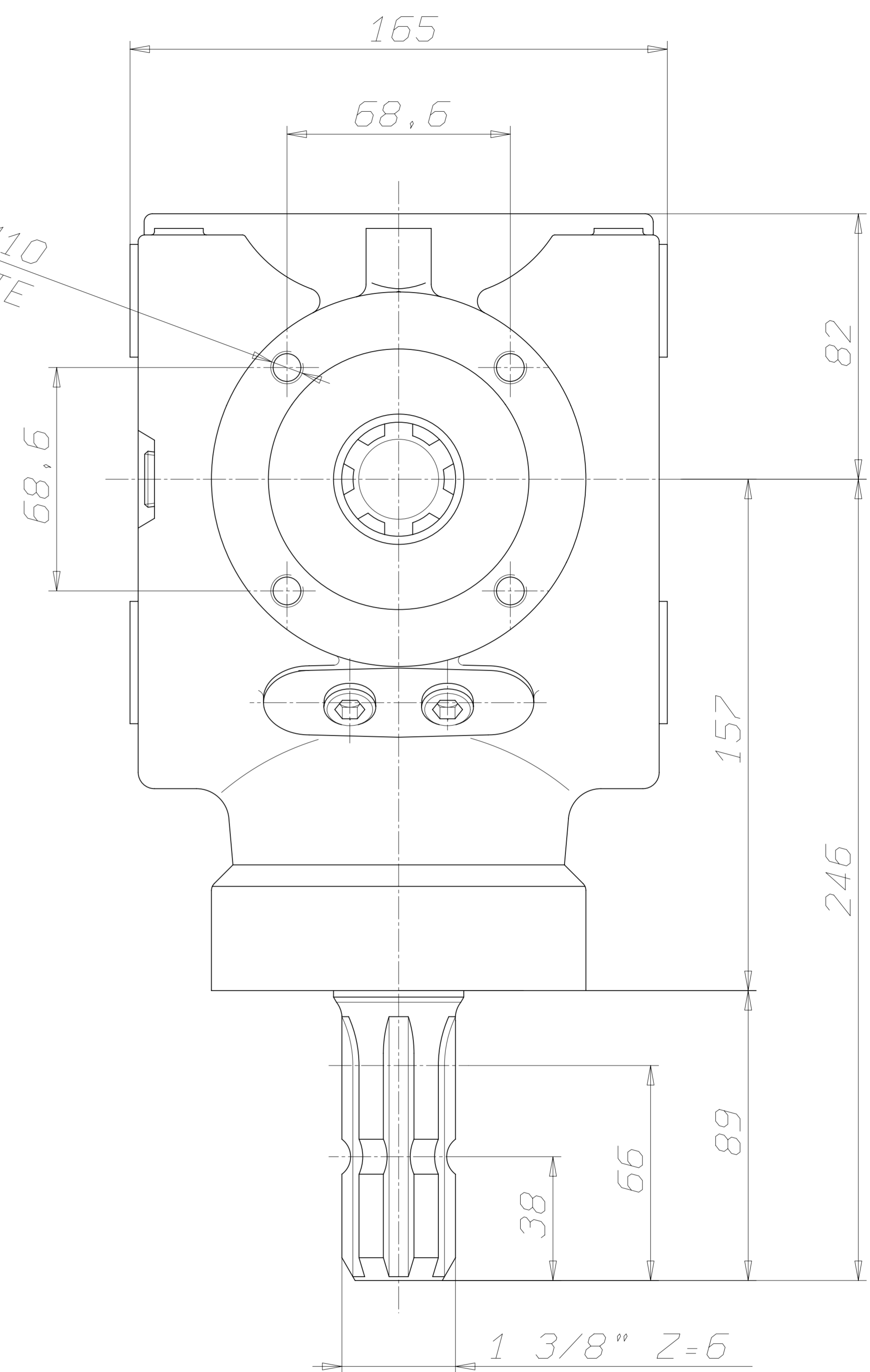
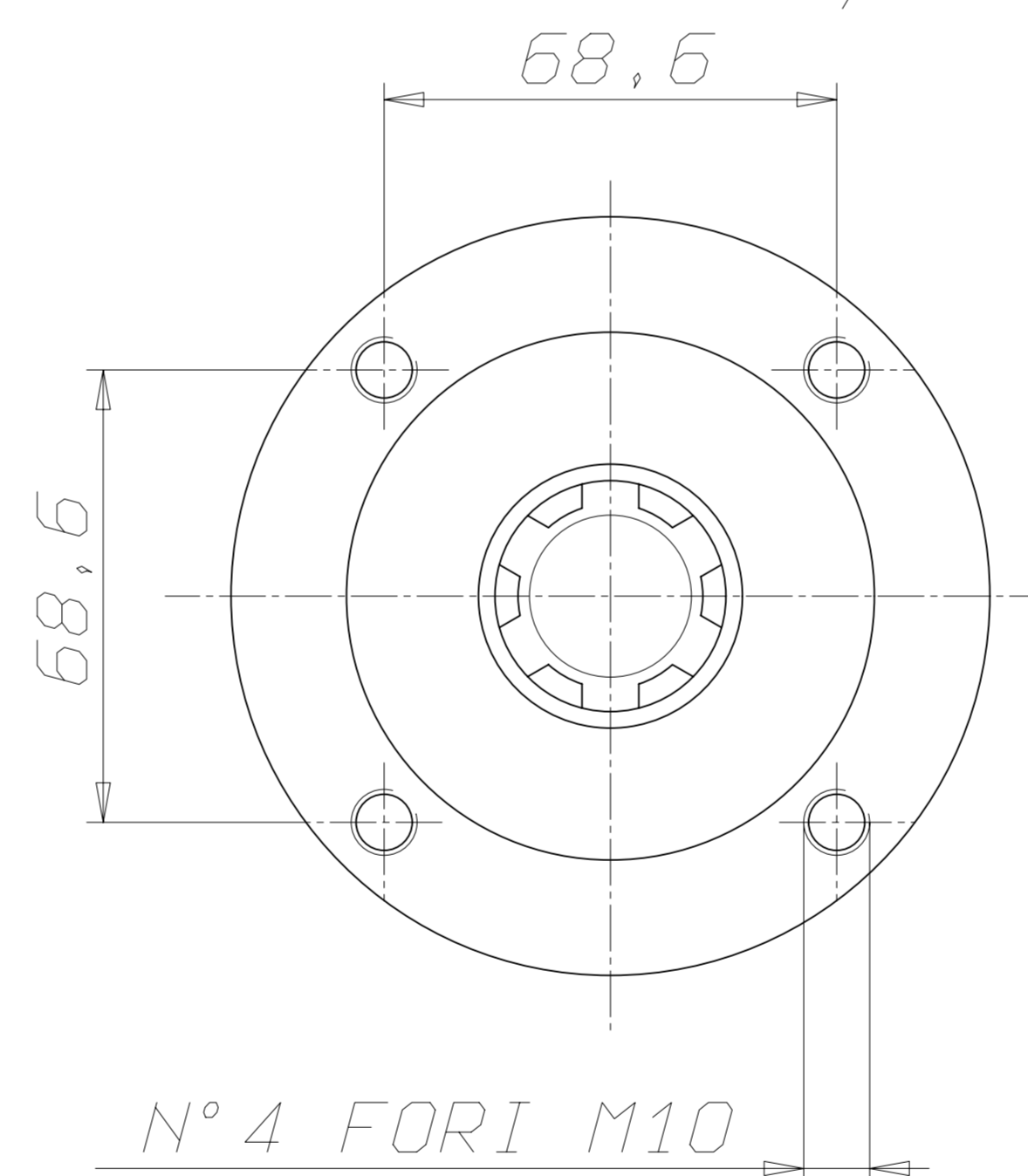


VISTA DA "A"



**WARNING!**

ROTATING SHAFTS MARKED ARE NOT SHIELDED. ANY SHAFT AND COUPLING NOT GUARDED BY LOCATION MUST BE SHIELDED BY AN INTERACTIVE GUARDING SYSTEM. BONDIOLI & PAVESI DECLINES RESPONSIBILITY IF PROPER GUARDS ARE NOT PROVIDED AND MAINTAINED.

MONTAGGIO  
GEAR ARRANGEMENTS  
ART DER MONTAGE  
MONTAGE

PESO  
WEIGHT  
GEWICHT  
POIDS

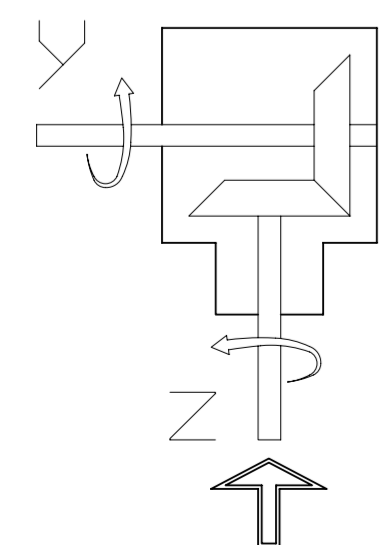
TIPO  
TYPE  
TIP

2050

CLIENTE  
CLIENT  
CUSTOMER  
KUNDE

DATA :  
21/3/03

VISTO :  
A. Magotti



RAPPORTO  
RATIO  
ÜBERS.-VERH.  
RAPPORT

1:1

GIRI IN ENTRATA  
INPUT SPEED  
EINGANGSDREHZAHL  
TOURS EN ENTREE

540

POTENZA IN ENTRATA  
INPUT POWER  
EINGANGSLEISTUNG  
PUISSANCE EN ENTREE

66 CV  
49 KW

MODIFICHE - MODIFICATIONS - ANDERUNGEN - MODIFICACIONES

SOSTITUISCE  
REPLACE  
REPLACES  
ERSETZT

TIPO DI MACCHINA  
TYPE DE MACHINE  
TYPE OF IMPLEMENT  
MASCHINENTYPE

RIF. CLIENTE  
REF. CLIENT  
CUSTOMER REF.  
BEZUG KUNDE



MINIDISEGNO SCATOLA Codice :  
S2050100F101