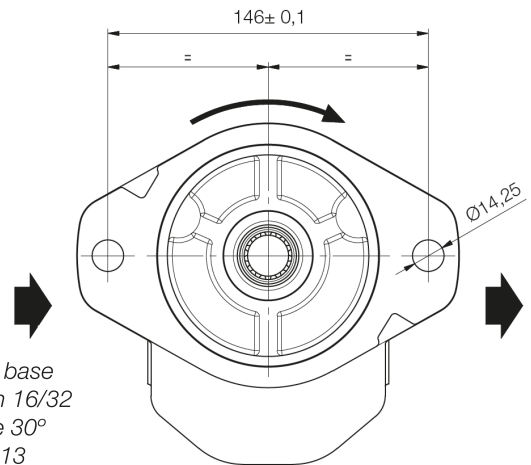


SAEJ498b flat base
 Diametral pitch 16/32
 Pressure angle 30°
 Teeth number 13
 Side fit
 Type 1



Reference	Displacement cm ³ /rev	A	B	Weight kg	Max pressure - bar		Min. rpm at 100bar
					Cont.	Int.	
RQ1PLA36DG09B	24,0	135,0	67,5	8,5	250	275	500
RQ1PLA45DG09B	30,0	140,0	72,5	8,7			
RQ1PLA54DG09B	36,0	145,0		9,0	225	250	
RQ1PLA66DG09B	44,0	151,5		9,3	200	225	
RQ1PLA84DG09B	56,0	161,0		9,9	175	200	

B ports	Suction			Pressure		
Displacement	C	D	E	C	D	E
24 ... 56	26	51	M10x13	19	40	M8x13

