



**Rubinerterie Italiane Velatta SpA**

————— since 1950 —————

**>> YOU need the BEST**

***OPALE***

**Series**

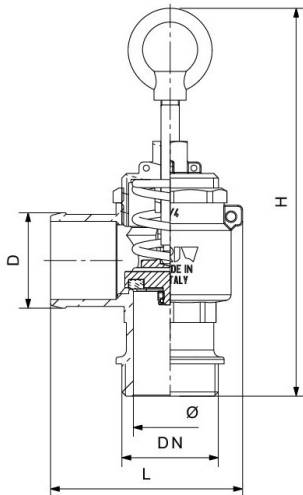


## RIV 250

Spring operated pressure relief valve with hose-connection

>> RIV 90250 Calibrated & sealed

### >> Tech drawings and tables



DN	Codice	Ø	H	L	D	PN	KG	P/box
1"1/4	05025000008	32	170	89	40	1,5bar - 21psi	0,732	20
1"1/2	05025000009	39	180	100	45	1,5bar - 21psi	0,940	15
2"	05025000011	50	160	110	51	1,5bar - 21psi	1,247	10

## »» Advantages

Environmentally compatible, thanks to its hose-connection, where you can apply a pipe for discharging any possible polluting leakages into a proper tank. The valve can be easily adjusted to the desired pressure (from 0,5 to 1,5 bar - from 7 to 21 Psi) and it can be sealed tamper-proof through the drilled tongues.

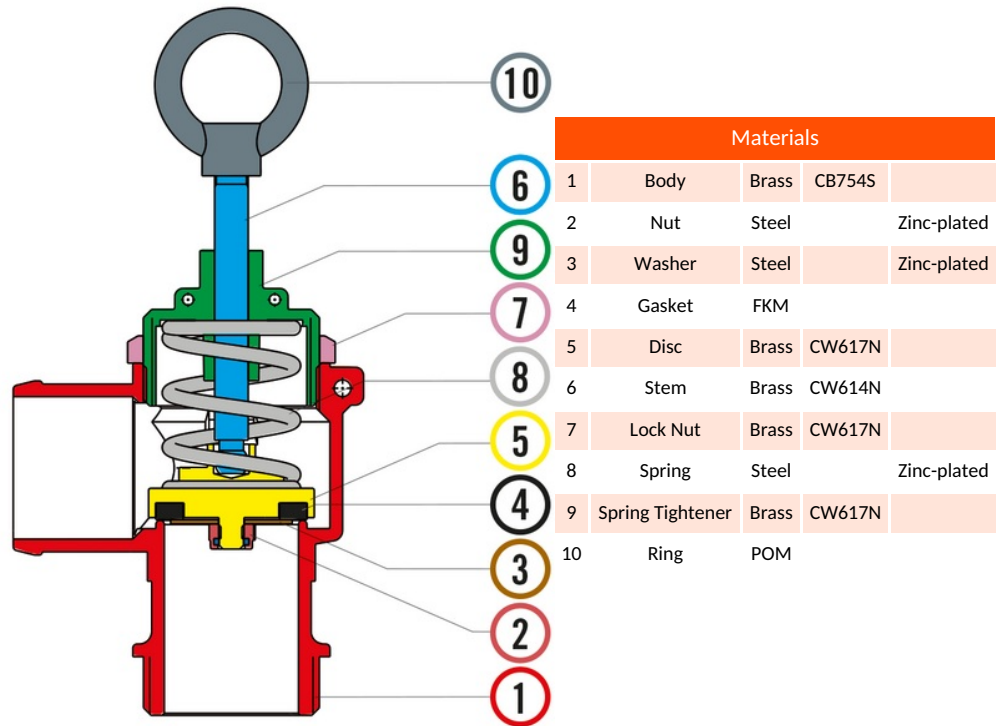
Certified in accordance with 97/23/CE (PED) Directive, **CE 1115** marking.

## »» Approvals



>> Technical data

**RIV 250**



Connection	ISO 228/1, ANSI B1.20.1 (NPT)
Limit	-20°C (-4°F) (without liquid) +180°C (+356°F)
Notes	The max.working pressure (PN) means at a room temperature of about 23°C.

»» More Products



**RIV 230**

Spring operated pressure relief valve  
with free discharge



**RIV 251**

Spring operated pressure relief valve  
with hose-connection  
NPT thread