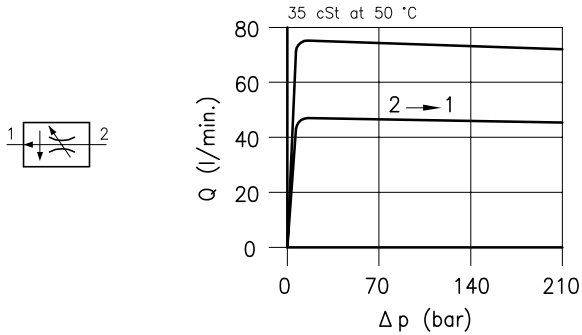
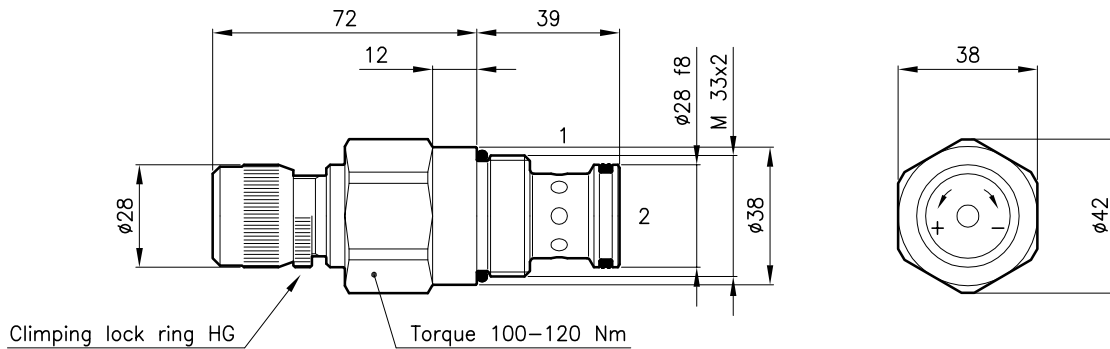


Technical features



| | | |
|---|---------------------------------------|-----------|
| Cavity | (For dimensions see catalogue 17.000) | S 50/2 |
| Flow setting range (l/min.) | type D | 0.05 – 45 |
| | type Q | 0.05 – 75 |
| Max. pressure | (bar) | 315 |
| Min. pressure difference | (bar) | 7 |
| Fluid viscosity range | (cSt) | 2.8 – 380 |
| Fluid temperature range | (°C) | -20 +80 |
| Mass | (kg) | 0.480 |
| Hydraulic fluid; mineral oil HM and HV ISO 6074 | | |
| Recommended filtration; 19/15 ISO 4466 (25 μ absolutes) | | |
| Complete adjustment range obtained with 1 knob turn | | |
| Standard seals in Polyurethane and Buna N | | |

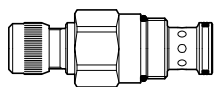
Dimensions



Ordering informations

RDZ 50/D-H

RDZ 50 = Valve type



Flow setting range

D = 0.05 – 45 l/min

Q = 0.05 – 75 l/min

Adjustment type

H = Standard

HG = With clamping lock ring

Codes:

RDZ 50/D-H 53 011 122

RDZ 50/Q-H 53 011 123

RDZ 50/D-HG 53 011 124

RDZ 50/Q-HG 53 011 125

External seals kit 90 620 106

RDZ 50 valves can be assembled on standard bodies 50-LO series; for dimensions see catalogue 16.010