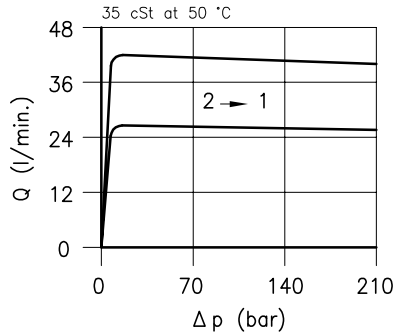
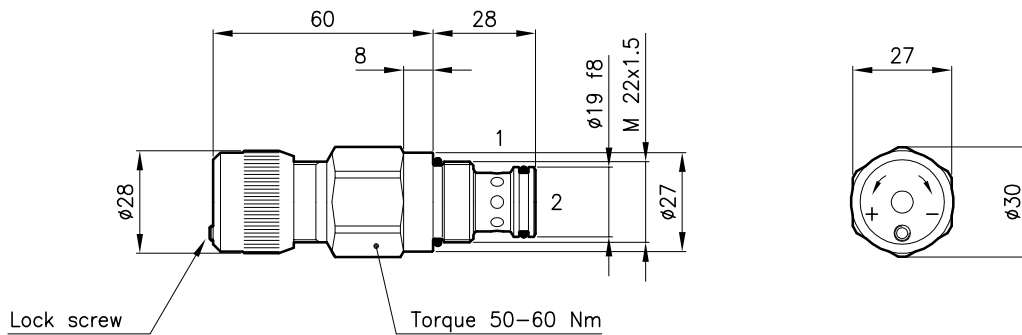


Technical features



Cavity	(For dimensions see catalogue 17.000)	S 30/2
Flow setting range (l/min.)	type 20	0.05 - 25
	type 50	0.05 - 40
Max. pressure	(bar)	315
Min. pressure difference	(bar)	7
Fluid viscosity range	(cSt)	2.8 - 380
Fluid temperature range	(°C)	-20 +80
Mass	(kg)	0.240
Hydraulic fluid; mineral oil HM and HV ISO 6074		
Recommended filtration; 19/15 ISO 4466 (25 μ absolutes)		
Complete adjustment range obtained with 3 knob turns		
Standard seals in Polyurethane and Buna N		

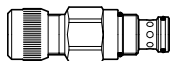
Dimensions



Ordering informations

RDC 30/20-HF

RDC 30 = Valve type



Flow setting range

20 = 0.05 - 25 l/min

50 = 0.05 - 40 l/min

Adjustment type

HF = With lock screw

Codes:

RDC 30/20-HF 33 011 187

RDC 30/50-HF 33 011 188

External seals kit 90 620 103

RDC 30 valves can be assembled on standard bodies 30-L0 series; for dimensions see catalogue 16.010