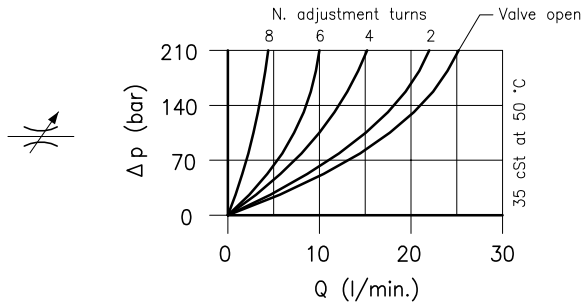


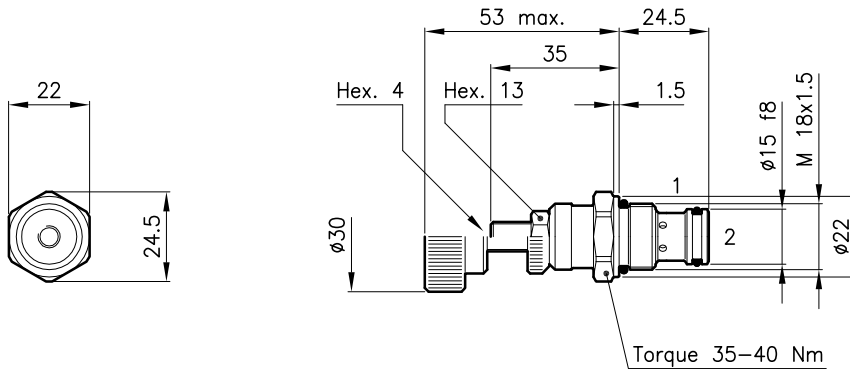
Technical features

The bidirectional needle valves RDB 20/175 are a version for fine and micrometric adjustment of narrow flow. Complete adjustment range is obtained in about ten handknob or screw turns till total valve shut off. The flow direction is indifferent.



Cavity	(For dimensions see catalogue 17.000)	S 20/2
Max. adjusted flow (Δp 70 bar) (l/min.)		0 - 10
Max. adjusted flow (Δp 140 bar) (l/min.)		0 - 16
Max. adjusted flow (Δp 210 bar) (l/min.)		0 - 22
Max. pressure (bar)		350
Fluid viscosity range (cSt)		2.8 - 380
Fluid temperature range ($^{\circ}C$)		-20 +80
Mass (kg)		0.090
Leakage when closed ($cm^3/1$)	Total shut off	
Hydraulic fluid; mineral oil HM and HV ISO 6074		
Recommended filtration; 19/15 ISO 4466 (25 μ absolutes)		
Standard seals in Polyurethane and Buna N		

Dimensions



Ordering informations

RDB 20/175-V

RDB 20 = Valve type



175 = Plunger type (only option)

Adjustment type

N = Standard adjustment

V = Handknob adjustment



Codes:

RDB 20/175-N 23 011 121

RDB 20/175-V 23 011 108

External seals kit 90 620 100

RDB 20 valves can be assembled on standard bodies 20-LO series; for dimensions see catalogue 16.010