

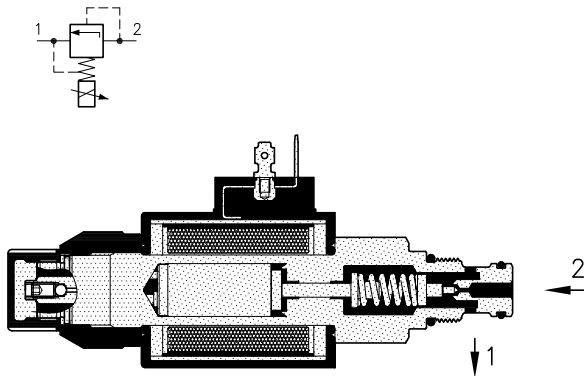
Technical features

Direct acting pressure relief valves type PPS 20 are regulated from proportional solenoid which is controlled by a remote electronic card and modifies setting, changing the poppet acting force.

By de-energised valve, flow coming from 2 is drained in 1 at a minimum setting pressure.

Operating on potentiometer through electronic card allows to act on proportional solenoid and it's possible to obtain numberless precise and repeatable adjustments.

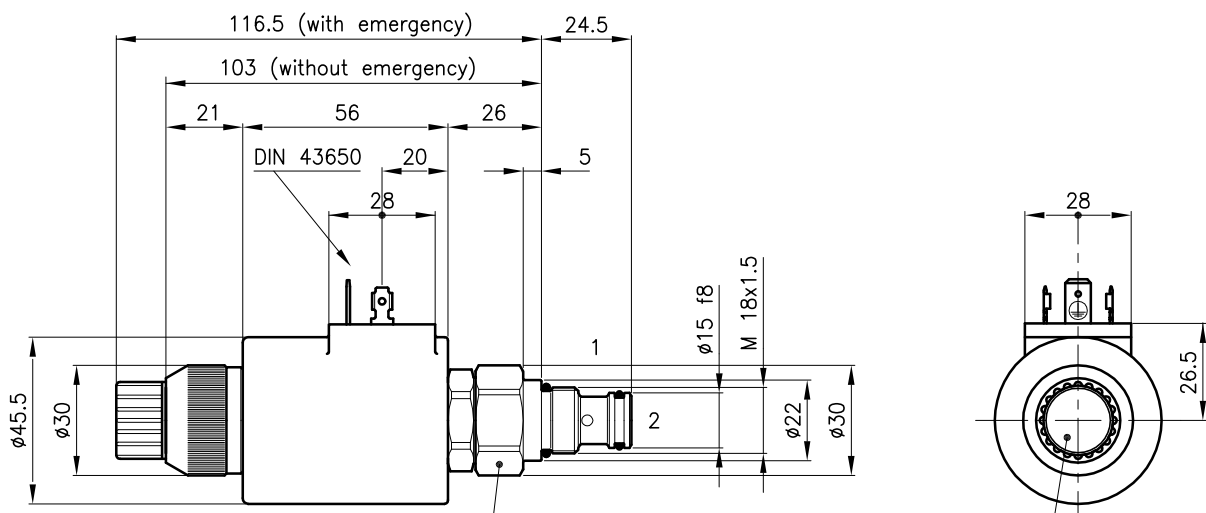
For electronic control card technical features see from General Catalogue page n. 10.250.



Cavity	(For dimensions see catalogue 17.000)	S 20/2
Max. flow	(l/min.)	1.5
Max. inlet pressure	(bar)	315
Max. pressure on line 1	(bar)	175
Fluid viscosity range	(cSt)	2.8 – 380
Fluid temperature range	(°C)	-20 +80
Max. leakage	(cm ³ /min.)	10
Mass	(kg)	0.600
Hydraulic fluid; mineral oil HM and HV ISO 6074		
Recommended filtration; 19/15 ISO 4466 (25 μ absolutes)		
Standard seals in Polyurethane and Buna N		

Nominal voltage	(Volt)	12	24
Current range	(mA)	1600	800
Nominal power	(Watt)	22	
Resistance	(Ω)	6.8	26
Insulation class	(VDE 0580)	F 155	
Rating	(ED%)	100	
Protection class	(DIN 40050)	IP 65	

Dimensions



unscrew the cap to access the emergency and the air vent see catalogue 10.900