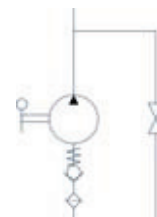


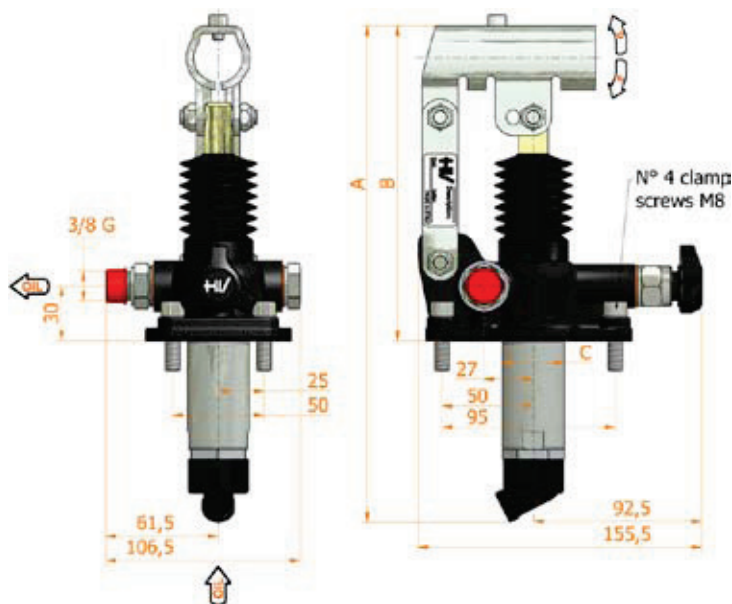
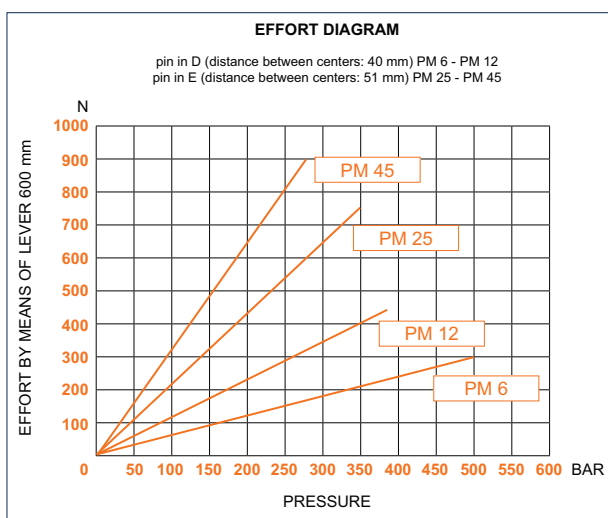


PM 6-12-25-45 s

with release hand knob



double acting hand pump for single acting cylinder
for fixing to tank



Specifications:

- Piston treated with Niploy
- Lever connection Ø 27
- Standard colour **black**
- Mounting kit and seals **included**
- Pressure relief valve standard setting: **100 bar**

DISPLACEMENT cm ³	A mm	B mm	C mm	D °	E °	ACTUAL DISPLACEMENT cm ³	PRESSURE BAR		MASS KG	CODE WITHOUT BELLOWS	CODE WITH BELLOWS	L
							WORK P.	MAX				
6	253	166	34	26	31	6,970	450	500	2,900	6049.0108	6049.0116	
12	253	166	34	26	31	12,095	320	380	2,900	6050.0108	6050.0116	
25	273	172	34	30	30	25,280	280	350	2,950	6051.0108	6051.0116	
45	283	172	40	45	33	44,532	220	280	3,000	6052.0108	6052.0116	