



Rubinetterie Italiane Velatta SpA

———— since 1950 ————

>> YOU need the BEST

Perla

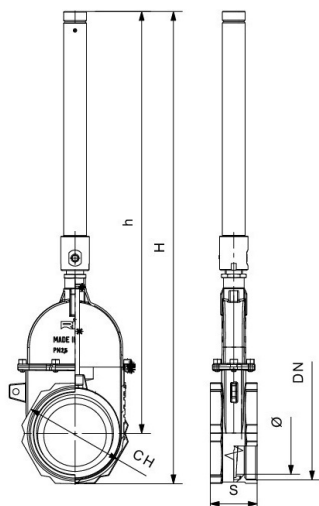
Series



RIV 67

Threaded piston gate valve
 with single-acting hydraulic
 jack

>> Tech drawings and tables



DN	Codice	Ø	H	h	S	PN	KG	P/box
4"	050067000016	91	712	651	68	3bar - 45psi	6,580	1
5"	050067000018	120	768	693	78	3bar - 45psi	8,866	1
6"	050067000019	144	805	715	82	2,5bar - 37psi	9,950	1

>> Advantages

Better tightness compared to other gate valves of the same type.

Anticorrosion stainless steel screws.

In accordance with 97/23/CE (PED) Directive.

>> RIV Rubinetterie Italiane Velatta S.p.A
Via delle Acacie 8 Zona Industriale D4
P. O.Box 64
28075 GRIGNASCO (NO) ITALY
Tel +39 0163 4151
Fax +39 0163 411914

>> Capitale sociale € 516.000 i.v.
Reg. Imprese di Novara N° 00469610026
R.E.A. di Novara N° 170397
Numero Meccanografico NO009263
Codice Fiscale 00469610026
Partita IVA IT 01399720034

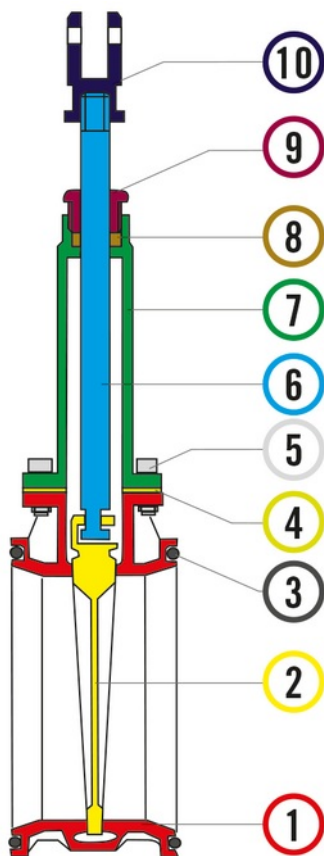
>> E - mail riv-vg@riv-vg.com
vendite.italia@riv-vg.com
export.sales@riv-vg.com
Web www.riv-vg.com



>> Technical data

RIV 10

Nr.	Cod.
2	Riv 9815
3	Riv 9858
4	Riv 9834
5	Riv 9851
6	Riv 9829
7	Riv 9822
8	Riv 9840
9	Riv 9844
10	Riv 9854



Materials			
1	Body	Brass	CB754S
2	Wedge	Brass	CB754S
3	O-Ring	NBR	
4	Gasket	Fibre	
5	Screw	Stainless Steel	AISI 304
6	Stem	Brass	CW614N
7	Cap	Brass	CB754S
8	Tow packing	Fibre	
9	Stuffing-Box	Brass	CW614N
10	Fork	Brass	CW617N

Connection

F: ISO 228/1, ANSI B1.20.1 (NPT)
 Square flange

Limit

-20°C (without liquid) +90°C

>> Riv 166 Hydraulic jack

Notes

MINIMUM OPERATING PRESSURE:
 4", 5", 6" = 110 Bar (1595 Psi)

MAXIMUM ALLOWABLE WORKING PRESSURE:
 170 Bar (2465 Psi)

Notes

The max. working pressure (PN) means at a room temperature of about 23°C.

»» More Products



RIV 10

Two-flange piston gate valve with O-ring gaskets



RIV 13

Two-flange piston gate valve with double-acting pneumatic jack in brass PPS system with O-ring gaskets



RIV 14

Two-flange piston gate valve with double-acting hydraulic jack with O-ring gaskets



RIV 17

Two-flange piston gate valve with single-acting hydraulic jack with O-ring gaskets



RIV 19

Two-flange piston gate valve with single-acting hydraulic ram spring jack with O-ring gaskets



RIV 40

Piston gate valve flange/thread with O-ring gasket



RIV 43

Piston gate valve flange/thread with double-acting pneumatic jack in brass PPS system with O-ring gasket



RIV 44

Piston gate valve flange/thread with double-acting hydraulic jack with O-ring gasket



RIV 47

Piston gate valve flange/thread with single-acting hydraulic jack with O-ring gasket



RIV 49

Piston gate valve flange/thread with single-acting hydraulic ram spring jack with O-ring gasket



RIV 60

Threaded piston gate valve



RIV 61

NPT threaded piston gate valve



RIV 63

Threaded piston gate valve with double-acting pneumatic jack in brass PPS system



RIV 64

Threaded piston gate valve with double-acting hydraulic jack



RIV 68

NPT threaded piston gate valve with double-acting pneumatic jack in brass PPS system



RIV 69

Threaded piston gate valve with single-acting hydraulic ram spring jack