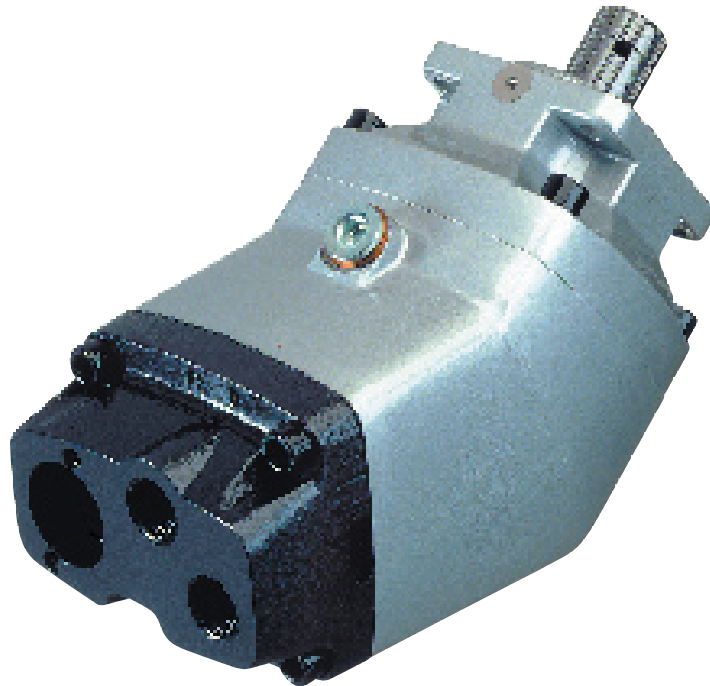




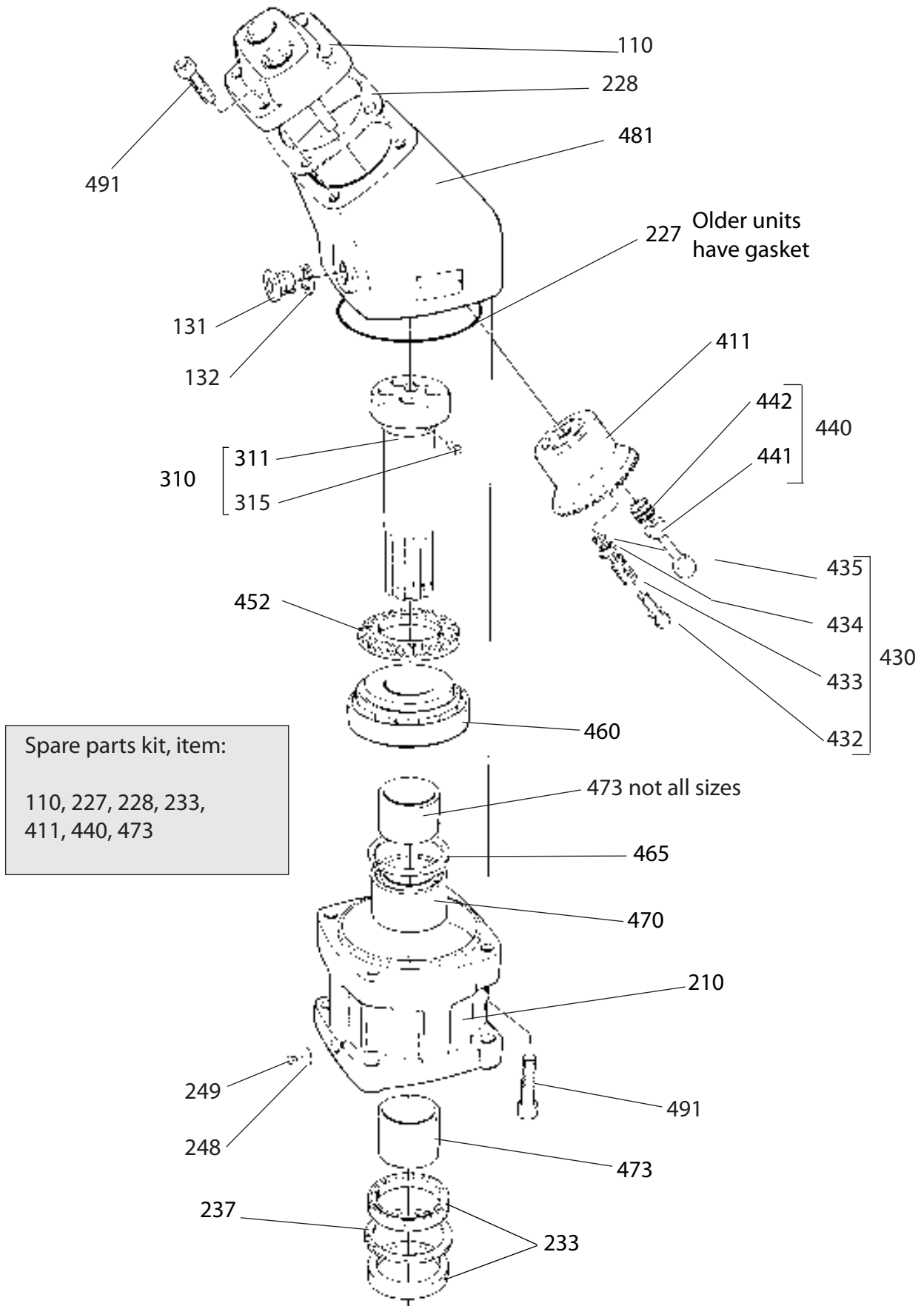
Bulletin HY30-5516-M1/UK/SE

Spare Parts Series F01/F02/T01

Effective: January, 2009
Supersedes: March, 2007



Picture for F1-20 trough F1-110



F1-20 Part No. 3704520, 3708020, 3793357

Item	Part No	Title	Benämning	Qty	Remarks
110	3704551	END CAP ASSY	ANSLUTNINGSTOPP KPL	1	
110	3793356	END CAP ASSY	ANSLUTNINGSTOPP KPL	1	M-type
118	114801	SET SCREW M5*6	STOPPSKRUV M5*6	1	M-type
131	3785227	HEX SOCKET PLUG R1/2	INSEXPLOPP R1/2	1	Replaces 3780933
210	3704533	BEARING HOUSING ASSY	LAGERHUS KPL	1	
227	3704547	GASKET	PACKNING	1	
227	3794264	O-RING	O-RING	1	From May 1991
228	3704548	GASKET	PACKNING	1	
233	118773	SHAFT SEAL 40*62*6	TÄTNINGSRING 40*62*6	2	
237	967822	RETAINING RING IK62	SPÅRRING IK62 DIN 984	1	
248	3793510	WASHER	BRICKA	1	
249	116090	GROOVED RIVET	NIT	1	
310	3783386	SHAFT ASSY	AXEL KPL	1	See Si 0404
315	3709162	GUIDE PIN	STYRTAPP 6*11	1	See Si 0404
411	3704527	CYLINDER BARREL	CYLINDERTRUMMA	1	
430	3709838	BARREL SUPPORT	TRUMSTÖD	1	
440	3706402	PISTON ASSY	KOLV KPL	5	
442	3705969	PISTON RING	LAMELLRING	15	Not available See SI 08/02
452	3783181	RING GEAR	KUGGKRANS	1	See Si 0404
460	3780418	TAP ROL BEARING 31307	KON RULLAGER 31307	1	Replaces 118840
465	914530	RETAINING RING SGH55	SPÅRRING SGH55	1	
470	3703905	NEEDLE BEARING	NÅLLAGER NKS40	1	
473	3796039	INNER RING	INNERRING	3	Replaces 3703976
481	3794920	BARREL HOUSING	TRUMHUS	1	
491	949067	HEX SOCKET SCR.M10*30	INSEXSKRUV M10*30	8	KLASS 10.9

F1-30 Part No. 3704530, 3708030, 3792130

Item	Part No	Title	Benämning	Qty	Remarks
110	3704538	END CAP ASSY	ANSLUTNINGSTOPP KPL	1	
110	3791938	END CAP ASSY	ANSLUTNINGSTOPP KPL	1	M-type
118	114801	SET SCREW M5*6	STOPPSKRUV M5*6	1	M-type
131	3785227	HEX SOCKET PLUG R1/2	INSEXPROPP R1/2	1	Replaces 3780933
210	3704533	BEARING HOUSING ASSY	LAGERHUS KPL	1	
227	3704547	GASKET	PACKNING	1	
227	3794264	O-RING	O-RING	1	From May 1991
228	3704548	GASKET	PACKNING	1	
233	118773	SHAFT SEAL 40*62*6	TÄTNINGSRING 40*62*6	2	
237	967822	RETAINING RING IK62	SPÅRRING IK62 DIN 984	1	
248	3793510	WASHER	BRICKA	1	
249	116090	GROOVED RIVET	NIT	1	
310	3783387	SHAFT ASSY	AXEL KPL	1	Replaces 3795431
315	3709162	GUIDE PIN	STYRTAPP 6*11	1	Replaces 3792207
411	3704540	CYLINDER BARREL	CYLINDERTRUMMA	1	
430	3709838	BARREL SUPPORT	TRUMSTÖD	1	
440	3706403	PISTON ASSY	KOLV KPL	5	
442	3795377	PISTON RING	LAMELLRING	15	Not available See SI 08/02
452	3783181	RING GEAR	KUGGKRANS	1	Replaces 3797710
460	3780418	TAP ROL BEARING 31307	KON RULLAGER 31307	1	Replaces 118840
465	914530	RETAINING RING SGH55	SPÅRRING SGH55	1	
470	3703905	NEEDLE BEARING	NÅLLAGER NKS40	1	
473	3796039	INNER RING	INNERRING	3	Replaces 3703976
481	3794920	BARREL HOUSING	TRUMHUS	1	
491	949067	HEX SOCKET SCR.M10*30	INSEXSKRUV M10*30	8	KLASS 10.9

F1-40 Part No. 3703940, 3708040, 3791640
 Up to Serial No. 1993219999

Item	Part No	Title	Benämning	Qty	Remarks
110	3791541	END CAP ASSY	ANSLUTNINGSTOPP KPL	1	M-type
110	3703935	END CAP ASSY	ANSLUTNINGSTOPP KPL	1	
118	114801	SET SCREW M5*6	STOPPSKRUV M5*6	1	M-type
131	3785227	HEX SOCKET PLUG R1/2	INSEXPLOPP R1/2	1	Replaces 3780933
210	3703825	BEARING HOUSING ASSY	LAGERHUS KPL	1	Not Available
227	3703902	GASKET	PACKNING	1	
227	3794266	O-RING	O-RING	1	From May 1991
228	3703901	GASKET	PACKNING		Req. No.
233	118773	SHAFT SEAL 40*62*6	TÄTNINGSRING 40*62*6	2	
237	967822	RETAINING RING IK62	SPÅRRING IK62 DIN 984	1	
248	3793510	WASHER	BRICKA	1	
249	116090	GROOVED RIVET	NIT	1	
310	3795432	SHAFT ASSY	AXEL KPL	1	Replaces 3704748
315	3709162	GUIDE PIN	STYRTAPP 8*16	1	
411	3703937	CYLINDER BARREL	CYLINDERTRUMMA	1	Not available
430	3709839	BARREL SUPPORT	TRUMSTÖD	1	
440	3706404	PISTON ASSY	KOLV KPL	5	
442	3705784	PISTON RING	LAMELLRING	15	
452	3704560	RING GEAR	KUGGKRANS	1	Not available
460	118025	TAP ROL BEARING 31308	KON RULLAGER 31308	1	
465	914530	RETAINING RING SGH55	SPÅRRING SGH55	1	
470	3703905	NEEDLE BEARING	NÅLLAGER NKS40	1	
473	3796039	INNER RING	INNERRING	2	Replaces 3703976
481	3794474	BARREL HOUSING	TRUMHUS	1	Not Available
491	949068	HEX SOCKET SCREW	INSEKSKRUV M10*35	8	KLASS 10.9

F1-40 Part No. 3703940, 3708040, 3791640
From Serial No. 1993220000 and up to 1996490000

Item	Part No	Title	Benämning	Qty	Remarks
110	3791541	END CAP ASSY	ANSLUTNINGSTOPP KPL	1	M-type
110	3703935	END CAP ASSY	ANSLUTNINGSTOPP KPL	1	
118	114801	SET SCREW M5*6	STOPPSKRUV M5*6	1	M-type
131	3785227	HEX SOCKET PLUG R1/2	INSEXPPOPP R1/2	1	Replaces 3780933
210	3703825	BEARING HOUSING ASSY	LAGERHUS KPL	1	Not available
227	3703902	GASKET	PACKNING	1	
227	3794266	O-RING	O-RING	1	From May 1991
228	3703901	GASKET	PACKNING		Req. No.
233	118773	SHAFT SEAL 40*62*6	TÄTNINGSRING 40*62*6	2	
237	967822	RETAINING RING IK62	SPÅRRING IK62 DIN 984	1	
248	3793510	WASHER	BRICKA	1	
249	116090	GROOVED RIVET	NIT	1	
310	3795432	SHAFT ASSY	AXEL KPL	1	Replaces 3704748
315	3709162	GUIDE PIN	STYRTAPP 8*16	1	
411	3799394	CYLINDER BARREL	CYLINDERTRUMMA	1	Replaces 3795341
430	3709839	BARREL SUPPORT	TRUMSTÖD	1	
440	3706404	PISTON ASSY	KOLV KPL	5	
442	3705784	PISTON RING	LAMELLRING	15	
452	3799395	RING GEAR	KUGGKRANS	1	Replaces 3795834
460	118025	TAP ROL BEARING 31308	KON RULLAGER 31308	1	
465	914530	RETAINING RING SGH55	SPÅRRING SGH55	1	
470	3703905	NEEDLE BEARING	NÅLLAGER NKS40	1	
473	3796039	INNER RING	INNERRING	2	Replaces 3703976
481	3794474	BARREL HOUSING	TRUMHUS	1	Not available
491	949068	HEX SOCKET SCREW	INSEXSKRUV M10*35	8	KLASS 10.9

F1-40 Part No. 3703940, 3708040, 3791640
 From Serial No. 1996490001 and up

Item	Part No	Title	Benämning	Qty	Remarks
110	3791541	END CAP ASSY	ANSLUTNINGSTOPP KPL	1	M-type
110	3703935	END CAP ASSY	ANSLUTNINGSTOPP KPL	1	
118	114801	SET SCREW M5*6	STOPPSKRUV M5*6	1	M-type
131	3785227	HEX SOCKET PLUG R1/2	INSEXPLOPP R1/2	1	Replaces 3780933
210	3797189	BEARING HOUSING ASSY	LAGERHUS KPL	1	Replaces 3703825
227	3703902	GASKET	PACKNING	1	
227	3797193	O-RING	O-RING	1	Replaces 3794266
228	3703901	GASKET	PACKNING		Req. No.
233	118773	SHAFT SEAL 40*62*6	TÄTNINGSRING 40*62*6	2	
237	967822	RETAINING RING IK62	SPÅRRING IK62 DIN 984	1	
248	3793510	WASHER	BRICKA	1	
249	116090	GROOVED RIVET	NIT	1	
310	3795432	SHAFT ASSY	AXEL KPL	1	Replaces 3704748
315	3709162	GUIDE PIN	STYRTAPP 8*16	1	
411	3799394	CYLINDER BARREL	CYLINDERTRUMMA	1	Replaces 3795341
430	3709839	BARREL SUPPORT	TRUMSTÖD	1	
440	3706404	PISTON ASSY	KOLV KPL	5	
442	3705784	PISTON RING	LAMELLRING	15	Not available see SI 08/02
452	3799395	RING GEAR	KUGGKRANS	1	Replaces 3795834
460	3797156	TAP ROL BEARING 31308	KON RULLAGER 31308	1	
465	914530	RETAINING RING SGH55	SPÅRRING SGH55	1	
470	3703905	NEEDLE BEARING	NÅLLAGER NKS40	1	
473	3796039	INNER RING	INNERRING	2	Replaces 3703976
481	3797190	BARREL HOUSING	TRUMHUS	1	Replaces 3794474
491	949068	HEX SOCKET SCREW	INSESKRUV M10*35	8	KLASS 10.9

F1-60 Part No. 3703960, 3708060, 3708450
 Up to Serial No. 1993210723

Item	Part No	Title	Benämning	Qty	Remarks
110	3706473	END CAP ASSY	ANSLUTNINGSTOPP KPL	1	M-type
110	3704513	END CAP ASSY	ANSLUTNINGSTOPP KPL	1	
118	114801	SET SCREW M5*6	STOPPSKRUV M5*6	1	M-type
131	3785227	HEX SOCKET PLUG R1/2	INSEXPLOPP R1/2	1	Replaces 3780933
210	3703825	BEARING HOUSING ASSY	LAGERHUS KPL	1	Not available
227	3703902	GASKET	PACKNING	1	
227	3794266	O-RING	O-RING	1	From May 1991
228	3703901	GASKET	PACKNING		Req. No
233	118773	SHAFT SEAL 40*62*6	TÄTNINGSRING 40*62*6	2	
237	967822	RETAINING RING IK62	SPÄRRING IK62 DIN 984	1	
248	3793510	WASHER	BRICKA	1	
249	116090	GROOVED RIVET	NIT	1	
310	3795433	SHAFT ASSY	AXEL KPL	1	Replaces 3704558
315	3709162	GUIDE PIN	STYRTAPP 8*16	1	
411	3703868	CYLINDER BARREL	CYLINDERTRUMMA	1	Not available
430	3709839	BARREL SUPPORT	TRUMSTÖD	1	
440	3706405	PISTON ASSY	KOLV KPL	5	
442	3705975	PISTON RING	LAMELLRING	15	
452	3704560	RING GEAR	KUGGKRANS	1	Not available
460	118025	TAP ROL BEARING 31308	KON RULLAGER 31308	1	
465	914530	RETAINING RING SGH55	SPÄRRING SGH55	1	
470	3703905	NEEDLE BEARING	NÅLLAGER NKS40	1	
473	3796039	INNER RING	INNERRING	2	Replaces 3703976
481	3794474	BARREL HOUSING	TRUMHUS	1	Not available
491	949068	HEX SOCKET SCREW	INSEXPLOPP M10*35	8	KLASS 10.9

F1-60 Part No. 3703960, 3708060, 3708450
From Serial No. 1993210724 and up to 1996490000

Item	Part No	Title	Benämning	Qty	Remarks
110	3706473	END CAP ASSY	ANSLUTNINGSTOPP KPL	1	M-type
110	3704513	END CAP ASSY	ANSLUTNINGSTOPP KPL	1	
118	114801	SET SCREW M5*6	STOPPSKRUV M5*6	1	M-type
131	3785227	HEX SOCKET PLUG R1/2	INSEXPPOPP R1/2	1	Replaces 3780933
210	3703825	BEARING HOUSING ASSY	LAGERHUS KPL	1	Not available
227	3703902	GASKET	PACKNING	1	
227	3794266	O-RING	O-RING	1	From May 1991
228	3703901	GASKET	PACKNING		Req. No
233	118773	SHAFT SEAL 40*62*6	TÄTNINGSRING 40*62*6	2	
237	967822	RETAINING RING IK62	SPÅRRING IK62 DIN 984	1	
248	3793510	WASHER	BRICKA	1	
249	116090	GROOVED RIVET	NIT	1	
310	3795433	SHAFT ASSY	AXEL KPL	1	Replaces 3704558
315	3709162	GUIDE PIN	STYRTAPP 8*16	1	
411	3799393	CYLINDER BARREL	CYLINDERTRUMMA	1	Replaces 3795340
430	3709839	BARREL SUPPORT	TRUMSTÖD	1	
440	3706405	PISTON ASSY	KOLV KPL	5	
442	3705975	PISTON RING	LAMELLRING	15	
452	3799395	RING GEAR	KUGGKRANS	1	Replaces 3795834
460	118025	TAP ROL BEARING 31308	KON RULLAGER 31308	1	
465	914530	RETAINING RING SGH55	SPÅRRING SGH55	1	
470	3703905	NEEDLE BEARING	NÅLLAGER NKS40	1	
473	3796039	INNER RING	INNERRING	2	Replaces 3703976
481	3794474	BARREL HOUSING	TRUMHUS	1	Not available
491	949068	HEX SOCKET SCREW	INSEXSKRUV M10*35	8	KLASS 10.9

F1-60 Part No. 3703960, 3708060, 3708450
 From Serial No. 1996490001 and up

Item	Part No	Title	Benämning	Qty	Remarks
110	3706473	END CAP ASSY	ANSLUTNINGSTOPP KPL	1	M-type
110	3704513	END CAP ASSY	ANSLUTNINGSTOPP KPL	1	
118	114801	SET SCREW M5*6	STOPPSKRUV M5*6	1	M-type
131	3785227	HEX SOCKET PLUG R1/2	INSEXPLOPP R1/2	1	Replaces 3780933
210	3797189	BEARING HOUSING ASSY	LAGERHUS KPL	1	Replaces 3703825
227	3703902	GASKET	PACKNING	1	
227	3797193	O-RING	O-RING	1	Replaces 3794266
228	3703901	GASKET	PACKNING		Req. No
233	118773	SHAFT SEAL 40*62*6	TÄTNINGSRING 40*62*6	2	
237	967822	RETAINING RING IK62	SPÅRRING IK62 DIN 984	1	
248	3793510	WASHER	BRICKA	1	
249	116090	GROOVED RIVET	NIT	1	
310	3795433	SHAFT ASSY	AXEL KPL	1	Replaces 3704558
315	3709162	GUIDE PIN	STYRTAPP 8*16	1	
411	3799393	CYLINDER BARREL	CYLINDERTRUMMA	1	Replaces 3795340
430	3709839	BARREL SUPPORT	TRUMSTÖD	1	
440	3706405	PISTON ASSY	KOLV KPL	5	
442	3705975	PISTON RING	LAMELLRING	15	Not available see SI 08/02
452	3799395	RING GEAR	KUGGKRANS	1	Replaces 3795834
460	3797156	TAP ROL BEARING 31308	KON RULLAGER 31308	1	
465	914530	RETAINING RING SGH55	SPÅRRING SGH55	1	
470	3703905	NEEDLE BEARING	NÅLLAGER NKS40	1	
473	3796039	INNER RING	INNERRING	2	Replaces 3703976
481	3797190	BARREL HOUSING	TRUMHUS	1	Replaces 3794474
491	949068	HEX SOCKET SCREW	INSESKRUV M10*35	8	KLASS 10.9

SP028-0626

F1-80 Part No. 3705080, 3708080, 3708280, 3708380

Item	Part No	Title	Benämning	Qty	Remarks
110	3704516	END CAP ASSY	ANSLUTNINGSTOPP KPL	1	
131	3785227	HEX SOCKET PLUG R1/2	INSEXPROPP R1/2	1	Replaces 3780933
211	3708113	BEARING HOUSING	LAGERHUS	1	
210	3705044	BEARING HOUSING ASSY	LAGERHUS KPL	1	045-type
227	3705057	GASKET	PACKNING	1	
227	3794268	O-RING	O-RING	1	From May 1991
228	3703977	GASKET	PACKNING	1	
233	118773	SHAFT SEAL 40*62*6	TÄTNINGSRING 40*62*6	2	
237	967822	RETAINING RING IK62	SPÅRRING IK62 DIN 984	1	
248	3793510	WASHER	BRICKA	1	
249	116090	GROOVED RIVET	NIT	1	
310	3795435	SHAFT ASSY	AXEL KPL	1	Replaces 3704554 315
315	3709308	GUIDE PIN	STYRTAPP 10*17,5	1	
411	3703989	CYLINDER BARREL	CYLINDERTRUMMA	1	Not available
430	3709840	BARREL SUPPORT	TRUMSTÖD	1	
440	3706406	PISTON ASSY	KOLV KPL	5	
442	3705764	PISTON RING	LAMELLRING	15	
452	3704556	RING GEAR	KUGGKRANS	1	Not available
460	184660	TAP ROL BEARING	KON RULLAGER T7FC 055	1	
465	914537	RETAINING RING SGH72	SPÅRRING SGH72	1	
470	3705743	CYL BEARING NU2207ECP	CYL LAGER NU2207ECP	1	
473	3796039	INNER RING	INNERRING	1	Replaces 3703976 481
481	3780067	BARREL HOUSING	TRUMHUS	1	Replaces 3794992
491	3782191	HEX SOCKET SCREW	INSEXSKRUV M12*45	8	Replaces 968580

F1-80 Part No. 3708743, 3708744, 3795500
 "slim type" Up to Serial No. 199220599

Item	Part No	Title	Benämning	Qty	Remarks
110	3795502	END CAP ASSY	ANSLUTNINGSTOPP	1	M-type
110	3707570	END CAP ASSY	ANSLUTNINGSTOPP KPL	1	
131	3785227	HEX SOCKET PLUG R1/2	INSEXPLOPP R1/2	1	Replaces 3780933
210	3708734	BEARING HOUSING ASSY	LAGERHUS KPL	1	Not available
227	3708741	GASKET	PACKNING	1	
227	3794267	O-RING	O-RING	1	From May 1991
228	3708742	GASKET	PACKNING	1	
233	118773	SHAFT SEAL 40*62*6	TÄTNINGSRING 40*62*6	2	
237	967822	RETAINING RING IK62	SPÅRRING IK62 DIN 984	1	
248	3793510	WASHER	BRICKA	1	
249	116090	GROOVED RIVET	NIT	1	
310	3795434	SHAFT ASSY	AXEL KPL	1	Replaces 3708736
315	3709308	GUIDE PIN	STYRTAPP 10*17,5	1	
411	3708738	CYLINDER BARREL	CYLINDERTRUMM	1	Not available
430	3709840	BARREL SUPPORT	TRUMSTÖD	1	
440	3706406	PISTON ASSY	KOLV KPL	5	
442	3705764	PISTON RING	LAMELLRING	15	
452	3708740	RING GEAR	KUGGKR	1	Not available
460	184687	TAP ROL BEARING	KON RULLAGER T7FC 050	1	
465	914537	RETAINING RING SGH72	SPÅRRING SGH72	1	
470	3705743	CYL BEARING NU2207ECP	CYL LAGER NU2207ECP	1	
473	3796039	INNER RING	INNERRING	1	Replaces 3703976
481	3794921	BARREL HOUSING	TRUMHUS	1	Not available
491	3782191	HEX SOCKET SCREW	INSEXSKRUV M12*45	8	Replaces 968580

F1-80 Part No. 3708743, 3708744, 3795500 slim type"
From Serial No. 199206000 through 1994121592

Item	Part No	Title	Benämning	Qty	Remarks
110	3795502	END CAP ASSY	ANSLUTNINGSTOPP	1	M-type
110	3707570	END CAP ASSY	ANSLUTNINGSTOPP KPL	1	
131	3785227	HEX SOCKET PLUG R1/2	INSEXPROPP R1/2	1	Replaces 3780933
210	3708734	BEARING HOUSING ASSY	LAGERHUS KPL	1	Not available
227	3708741	GASKET	PACKNING	1	
227	3794267	O-RING	O-RING	1	From May 1991
228	3708742	GASKET	PACKNING	1	
233	118773	SHAFT SEAL 40*62*6	TÄTNINGSRING 40*62*6	2	
237	967822	RETAINING RING IK62	SPÅRRING IK62 DIN 984	1	
248	3793510	WASHER	BRICKA	1	
249	116090	GROOVED RIVET	NIT	1	
310	3795434	SHAFT ASSY	AXEL KPL	1	Replaces 3708736
315	3709308	GUIDE PIN	STYRTAPP 10*17,5	1	
411	3796342	CYLINDER BARREL	CYLINDERTRUMM	1	
430	3709840	BARREL SUPPORT	TRUMSTÖD	1	
440	3706406	PISTON ASSY	KOLV KPL	5	
442	3705764	PISTON RING	LAMELLRING	15	
452	3796341	RING GEAR	KUGGKR	1	
460	184687	TAP ROL BEARING	KON RULLAGER T7FC 050	1	
465	914537	RETAINING RING SGH72	SPÅRRING SGH72	1	
470	3705743	CYL BEARING NU2207ECP	CYL LAGER NU2207ECP	1	
473	3796039	INNER RING	INNERRING	1	Replaces 3703976
481	3794921	BARREL HOUSING	TRUMHUS	1	Not available
491	3782191	HEX SOCKET SCREW	INSEXSKRUV M12*45	8	Replaces 968580

F1-80 Part No. 3796380, 3796381
 "X-tra slim type" From Serial No. 1994111276

Item	Part No	Title	Benämning	Qty	Remarks
110	3795502	END CAP MOTOR	A-TOPP MOTOR	1	Not available
	3707570	END CAP ASSY	ANSLUTNINGSTOPP KPL	1	110
131	3785227	HEX SOCKET PLUG R1/2	INSEXPLOPP R1/2	1	Replaces 3780933
210	3796490	BEARING HOUSING ASSY	LAGERHUS KPL	1	
248	3793510	WASHER	BRICKA	1	
249	116090	GROOVED RIVET	NIT	1	
227	3796504	O-RING 107*3 N 70	O-RING 107*3 N 70	1	
228	3708742	GASKET 0.25	PACKNING 0,25	2	
228	3794906	GASKET 0.40	PACKNING 0,40	2	
233	118773	SHAFT SEAL 40*62*6	TÄTNINGSRING 40*62*6	2	
237	967822	RETAINING RING JK62	SPÅRRING JK62 DIN 984	1	
310	3795434	SHAFT ASSY	AXEL KPL	1	
311	3708736	SHAFT	AXEL	1	
315	3709308	GUIDE PIN	STYRTAPP 10*17,5	1	
411	3796342	CYLINDER BARREL	CYLINDERTRUMMA	1	
430	3709840	BARREL SUPPORT	TRUMSTÖD	1	
440	3706406	PISTON ASSY	KOLV KPL	5	
442	3705764	PISTON RING DIA 24.15	LAMELLRING DIAM 24.15	15	Not available see SI 08/02
452	3796341	RING GEAR	KUGGKRANS	1	
460	184687	TAP ROL BEARING	KON RULLAGER T7FC 050	1	
465	914537	RETAINING RING SGH72	SPÅRRING SGH72	1	
470	3705743	CYL BEARING NU2207ECP	CYL LAGER NU2207ECP	1	
473	3796039	INNER RING 35*40*25	INNERRING 35*40*25	1	
481	3796283	BARREL HOUSING	TRUMHUS	1	

F1-110 Part No. 3705110, 3705870, 3708110, 37090110, 3709111

Item	Part No	Title	Benämning	Qty	Remarks
110	3704794	END CAP ASSY	ANSLUTNINGSTOPP KPL	1	
110	3705871	END CAP ASSY	ANSLUTNINGSTOPP KPL	1	M-type
118	114801	SET SCREW M5*6	STOPPSKRUV M5*6	1	M-type
131	3785227	HEX SOCKET PLUG R1/2	INSEXPLOPP R1/2	1	Replaces 3780933
210	3708113	BEARING HOUSING ASSY	LAGERHUS KPL	1	
210	3705044	BEARING HOUSING ASSY	LAGERHUS KPL	1	045-type
227	3705057	GASKET	PACKNING	1	
227	3794268	O-RING	O-RING	1	From May 1991
228	3703977	GASKET	PACKNING	1	
233	118773	SHAFT SEAL 40*62*6	TÄTNINGSRING 40*62*6	2	
237	967822	RETAINING RING IK62	SPÅRRING IK62 DIN 984	1	
248	3793510	WASHER	BRICKA	1	
249	116090	GROOVED RIVET	NIT	1	
310	3795436	SHAFT ASSY	AXEL KPL	1	Replaces 3704598
315	3709308	GUIDE PIN	STYRTAPP 10*17,5	1	
411	3795314	CYLINDER BARREL	CYLINDERTRUMMA	1	
430	3709840	BARREL SUPPORT	TRUMSTÖD	1	
440	3706407	PISTON ASSY	KOLV KPL	7	
442	3705975	PISTON RING	LAMELLRING	21	Not available see SI 08/02
452	3795313	RING GEAR	KUGGKRANS	1	
460	184660	TAP ROL BEARING	KON RULLAGER T7FC 055	1	
465	914537	RETAINING RING SGH72	SPÅRRING SGH72	1	
470	3705743	CYL BEARING NU2207ECP	CYL LAGER NU2207ECP	1	
473	3796039	INNER RING	INNERRING	1	Replaces 3703979
481	3780067	BARREL HOUSING	TRUMHUS	1	Replaces 3794992
491	3782191	HEX SOCKET SCREW	INSESKRUV M12*45	8	Replaces 968580

Kits for F1-020 through -110 and T1

To fit	Part No	Title	Benämning	Serialno:
F1-020	3705755	Spare Parts Kit	Reservdelssats	
F1-020 SAE	3794962	Spare Parts Kit	Reservdelssats	
F1-020-M	3796901	Spare Parts Kit	Reservdelssats	
F1-030	3705756	Spare Parts Kit	Reservdelssats	
F1-030 SAE	3794963	Spare Parts Kit	Reservdelssats	
F1-030-M	3792291	Spare Parts Kit	Reservdelssats	
F1-040 Kugg 92	3780152	Spare Parts Kit	Reservdelssats	> 1993220000
F1-040 SAE Kugg 92	3780153	Spare Parts Kit	Reservdelssats	> 1993220000
F1-040-M Kugg 92	3780154	Spare Parts Kit	Reservdelssats	> 1993220000
F1-060 Kugg 92	3780150	Spare Parts Kit	Reservdelssats	> 1993220000
F1-060 SAE Kugg 92	3780149	Spare Parts Kit	Reservdelssats	> 1993220000
F1-060-M Kugg 92	3780151	Spare Parts Kit	Reservdelssats	> 1993220000
F1-080 Slim version	3796903	Spare Parts Kit	Reservdelssats	> 9206120
F1-080-M	3796902	Spare Parts Kit	Reservdelssats	
F1-110	3795318	Spare Parts Kit	Reservdelssats	> 9150001
F1-110-M	3795319	Spare Parts Kit	Reservdelssats	> 9150001
F1-020/030	3783311	Sealing Kit	Tätningssats	From S/N 1991190001
F1-040/060	3783309	Sealing Kit	Tätningssats	From S/N 1996490001
F1-080	3783308	Sealing Kit	Tätningssats	From S/N 1994111276
F1-110	3783307	Sealing Kit	Tätningssats	From S/N 1991190001

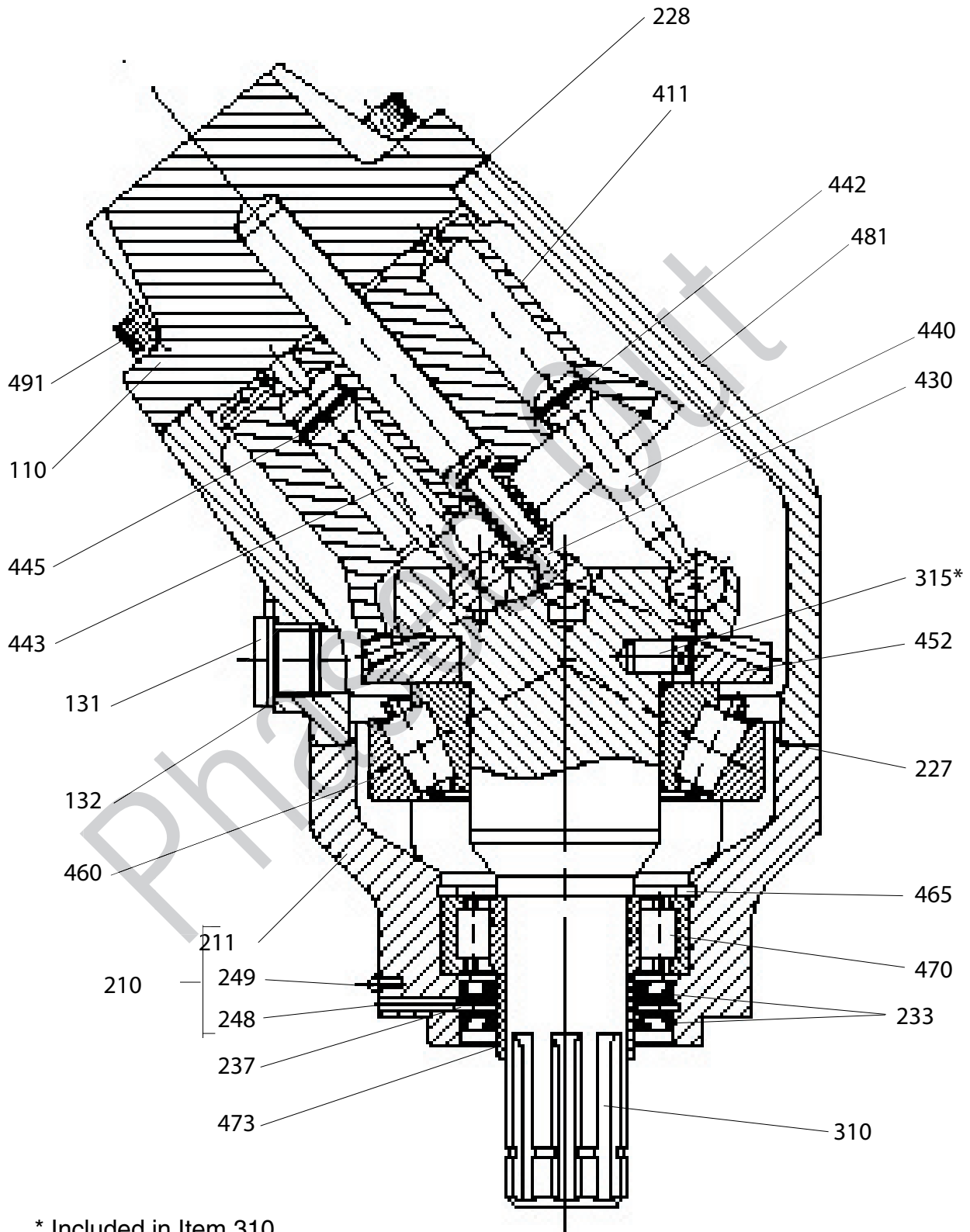
If you require seals to older versions please contact Parker Hannifin AB.

T1-050	3793572	Sealing Kit	Tätningssats
--------	---------	-------------	--------------

The Repair Kits comprise items 110, 227, 228, 233, 411, 440 and 473. If more parts are required it is normally not profitable to carry out a repair.

If there is any doubt about the type, please refer to SI 94/04.

Part No. 3792000, 3792001, 3797035, 3797036, 3797800, 3797801

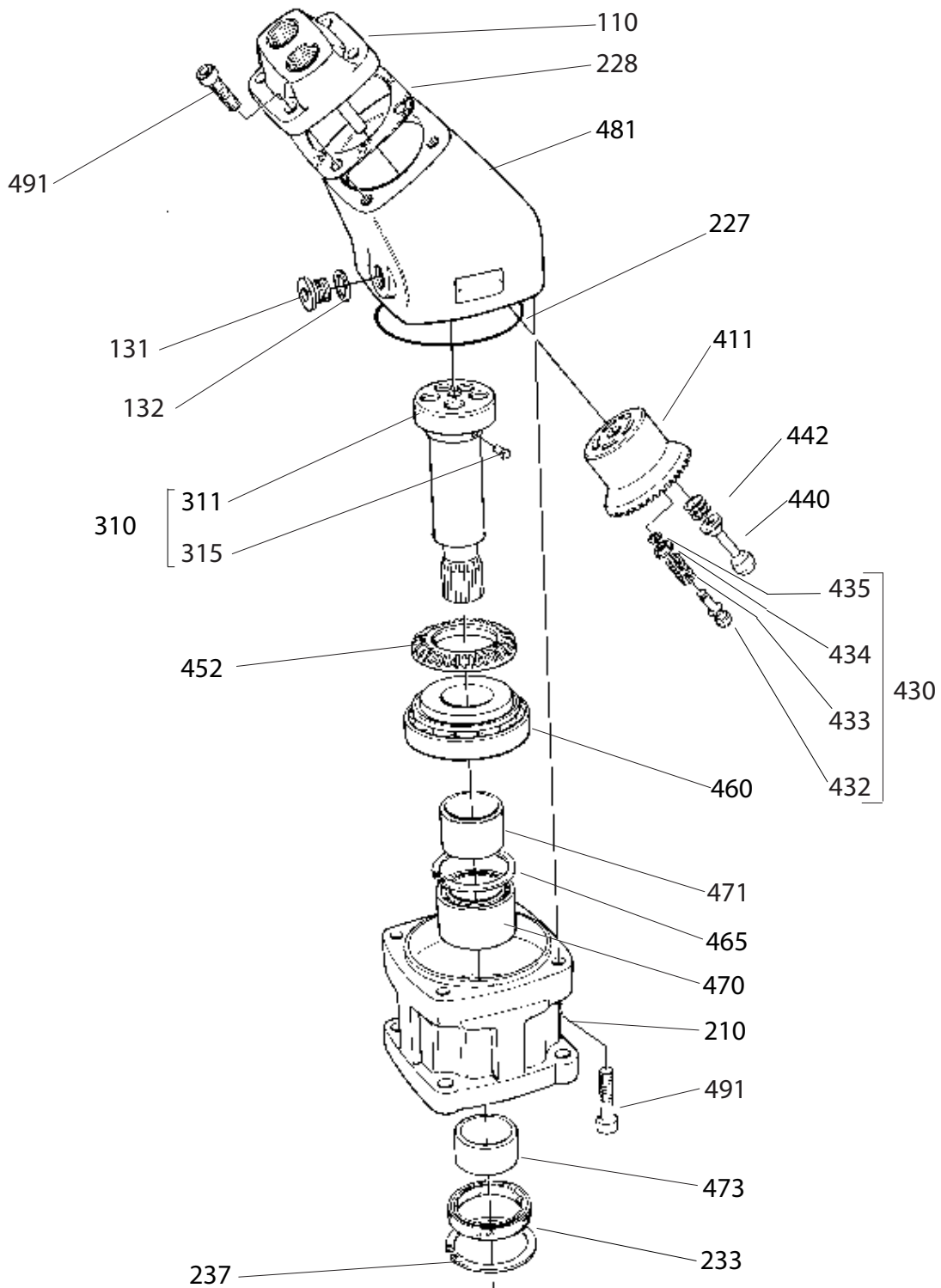


* Included in Item 310

SP033-0626F1-55/45,-70/35,-53/53 Part No. 3792000, 3792001, 3797035,
3797036, 3797800, 3797801

Item	Part No	Title	Benämning	Qty	Remarks
110	3799946	End Cap assy	Anslutningstopp kpl	1	R-rotation,55/45 Repl.3791999
110	3799945	End Cap assy	Anslutningstopp kpl	1	L-rotation,55/45 Repl.3794608
110	3799942	End Cap assy	Anslutningstopp kpl	1	R-rotation,70/35 Repl.3795284
110	3799944	End Cap assy	Anslutningstopp kpl	1	L-rotation,70/35 Repl.3795285
131	3788227	Hex. Socket Plug	Insexpropp	1	Replaces 3780933
210	3708113	Bearing Housing Assy	Lagerhus,kpl	1	
227	3705057	Gasket	Packning	1	
227	3794268	O-ring	O-ring	1	From May 1991
228	3703977	Gasket	Packning		0.25 mm
233	118773	Shaft Seal	Tätningarring	2	40*62*6
237	967822	Retaining Ring	Spårring	1	
248	3793510	Washer	Bricka	1	
249	116090	Grooved Rivet	Nit	1	
310	3795440	Shaft,assy	Axel,kpl	1	55/45 and 70/35
310	3796655	Shaft,assy	Axel,kpl	1	53/53
315	3709308	Guide Pin	Styrtapp	1	Included in Item 310
411	3795317	Cylinder Barrel	Cylindertrumma	1	55/45 and53/53
411	3780484	Cylinder Barrel	Cylindertrumma	1	70/35 Replaces 3795271
430	3709840	Barrel Support	Trumstöd	1	
440	3791993	Piston assy	Kolv kpl	5	Outer, 55,53 cc and Inner 35cc
442	3795377	Piston Ring	Lamellring	15	
443	3791991	Piston assy	Kolv kpl	5	Inner, 45,53 cc and Outer 70 cc
445	3705784	Piston Ring	Lamellring	15	
452	3795313	Ring Gear	Kuggkrans	1	
460	184660	Tapered Roller Bearing	Kon. Rullager	1	T7FC 055
465	914537	Retaining Ring	Spårring	1	
470	3705743	Cylindrical Bearing	Cyl. Lager	1	NU2207ECP
473	3796039	Inner Ring	Innerring	1	Replaces 3703976
481	3794992	Barrel Housing	Trumhus	1	
491	968580	Hex. Socket Screw	Insexskruv	8	M12*45, 10.9

Picture for F1 SAE



SP193-0626

F1-20 Part No. 3794220, 3794221
From serial No. 1993260729 and up

Item	Part No	Title	Benämning	Qty	Remarks
110	3794223	END CAP ASSY	ANSLUTNINGSTOPP KPL	1	
131	3785227	HEX SOCKET PLUG R1/2	INSEXPROPP R1/2	1	Replaces 3780933
210	3794227	BEARING HOUSING	LAGERHUS TYP S	1	
227	3794264	O-RING 86*1.6 N 70	O-RING 86*1,6 N 70	1	
228	3704548	GASKET 0.25	PACKNING 0,25	2	
228	3794903	GASKET 0.40	PACKNING 0,40	2	
233	118773	SHAFT SEAL 40*62*6	TÄTNINGSRING 40*62*6	1	
237	967822	RETAINING RING JK62	SPÅRRING JK62 DIN 984	1	
310	3795446	SHAFT ASSY	AXEL KPL	1	
315	3792207	GUIDE PIN	STYRTAPP 6*11	1	
411	3704527	CYLINDER BARREL	CYLINDERTRUMMA	1	
430	3709838	BARREL SUPPORT	TRUMSTÖD	1	
440	3706402	PISTON ASSY	KOLV KPL	5	
442	3705969	PISTON RING DIA 15.15	LAMELLRING DIAM 15.15	15	
452	3797710	RING GEAR	KUGGKRANS	1	
460	3780418	TAP ROL BEARING 31307	KON RULLAGER 31307	1	Replaces 118840
465	914530	RETAINING RING SGH55	SPÅRRING SGH55	1	
470	3703905	NEEDLE BEARING	NÅLLAGER NKS40	1	
471	3796039	INNER RING 35*40*25	INNERRING 35*40*25	2	
473	3794954	INNER RING 35*40*17	INNERRING 35*40*17	1	
478	977802	RETAINING RING SW35	SPÅRRING SW35	1	
481	3794920	BARREL HOUSING	TRUMHUS	1	
491	949067	HEX S SCR M10*30 10.9	INS SKRUV M10*30 10.9	8	10.9

SP194-0626

F1-30 Part No. 3794230, 3794231
From serial No. 1993260699 and up

Item	Part No	Title	Benämning	Qty	Remarks
110	3794233	END CAP ASSY	ANSLUTNINGSTOPP KPL	1	
131	3785227	HEX SOCKET PLUG R1/2	INSEXPROPP R1/2	1	Repl. 3780933
210	3794227	BEARING HOUSING	LAGERHUS TYP S	1	
227	3794264	O-RING 86*1.6 N 70	O-RING 86*1,6 N 70	1	
228	3704548	GASKET 0.25	PACKNING 0,25	2	
228	3794903	GASKET 0.40	PACKNING 0,40	2	
233	118773	SHAFT SEAL 40*62*6	TÄTNINGSRING 40*62*6	1	
237	967822	RETAINING RING JK62	SPÅRRING JK62 DIN 984	1	
310	3795447	SHAFT ASSY	AXEL KPL	1	
315	3792207	GUIDE PIN	STYRTAPP 6*11	1	
411	3704540	CYLINDER BARREL	CYLINDERTRUMMA	1	
430	3709838	BARREL SUPPORT	TRUMSTÖD	1	
440	3706403	PISTON ASSY	KOLV KPL	5	
442	3795377	PISTON RING DIA 17.15	LAMELLRING DIAM 17.15	15	
452	3797710	RING GEAR	KUGGKRANS	1	
460	3780418	TAP ROL BEARING 31307	KON RULLAGER 31307	1	Replaces 118840
465	914530	RETAINING RING SGH55	SPÅRRING SGH55	1	
470	3703905	NEEDLE BEARING	NÅLLAGER NKS40	1	
471	3796039	INNER RING 35*40*25	INNERRING 35*40*25	2	
473	3794954	INNER RING 35*40*17	INNERRING 35*40*17	1	
478	977802	RETAINING RING SW35	SPÅRRING SW35	1	
481	3794920	BARREL HOUSING	TRUMHUS	1	
491	949067	HEX S SCR M10*30 10.9	INS SKRUV M10*30 10.9	8	

F1-40 Part No. 3794240, 3794241

Up to Serial No. 1993219999

Item	Part No	Title	Benämning	Qty	Remarks
110	3794243	END CAP ASSY	ANSLUTNINGSTOPP KPL	1	
131	3780933	HEX SOCKET PLUG R1/2	INSEXPROPP R1/2	1	
210	3794247	BEARING HOUSING	LAGERHUS TYP S	1	
227	3794266	O-RING 96.6*1.6 N 70	O-RING 96,6*1,6 N 70	1	
228	3703901	GASKET 0.25	PACKNING 0,25	2	
228	3794904	GASKET 0.40	PACKNING 0,40	2	
233	118773	SHAFT SEAL 40*62*6	TÄTNINGSRING 40*62*6	1	
237	967822	RETAINING RING JK62	SPÅRRING JK62 DIN 984	1	
310	3795443	SHAFT ASSYTYPE S	AXEL KPL TYP S	1	
315	3709162	GUIDE PIN	STYRTAPP 8*16	1	
411	3795341	CYLINDER BARREL	CYLINDERTRUMMA	1	Not available
430	3709839	BARREL SUPPORT	TRUMSTÖD	1	
440	3706404	PISTON ASSY	KOLV KPL	5	
442	3705784	PISTON RING DIA 19	LAMELLRING DIAM 19	15	
452	3795834	RING GEAR	KUGGKRANS	1	Not available
460	118025	TAP ROL BEARING 31308	KON RULLAGER 31308	1	ALT 3793547
465	914530	RETAINING RING SGH55	SPÅRRING SGH55	1	
470	3703905	NEEDLE BEARING	NÅLLAGER NKS40	1	
471	3796039	INNER RING 35*40*25	INNERRING 35*40*25	1	Replaces 3703976
473	3795766	INNER RING	INNERRING	1	
481	3794474	BARREL HOUSING	TRUMHUS	1	
491	949068	HEX S SCR M10*35 10.9	INS SKRUV M10*35 10.9	8	KLASS 10.9

F1-40 Part No. 3794240, 3794241

From Serial No. 1993220000 and up

Item	Part No	Title	Benämning	Qty	Remarks
110	3794243	END CAP ASSY	ANSLUTNINGSTOPP KPL	1	
131	3780933	HEX SOCKET PLUG R1/2	INSEXPROPP R1/2	1	
210	3794247	BEARING HOUSING	LAGERHUS TYP S	1	
227	3794266	O-RING 96.6*1.6 N 70	O-RING 96,6*1,6 N 70	1	
228	3703901	GASKET 0.25	PACKNING 0,25	2	
228	3794904	GASKET 0.40	PACKNING 0,40	2	
233	118773	SHAFT SEAL 40*62*6	TÄTNINGSRING 40*62*6	1	
237	967822	RETAINING RING JK62	SPÅRRING JK62 DIN 984	1	
310	3799874	SHAFT ASSY TYPE S	AXEL KPL TYP S	1	Replaces 3795443
315	3709162	GUIDE PIN	STYRTAPP 8*16	1	
411	3799394	CYLINDER BARREL	CYLINDERTRUMMA	1	Replaces 3795341
430	430	3709839	BARREL SUPPORTTRUMSTÖD1		
440	3706404	PISTON ASSY	KOLV KPL	5	
442	3705784	PISTON RING DIA 19	LAMELLRING DIAM 19	15	
452	3799395	RING GEAR	KUGGKRANS	1	Replaces 3795834
460	118025	TAP ROL BEARING 31308	KON RULLAGER 31308	1	ALT 3793547
465	914530	RETAINING RING SGH55	SPÅRRING SGH55	1	
470	3703905	NEEDLE BEARING	NÅLLAGER NKS40	1	
473	3799892	INNER RING 35*40*50	INNERRING 35*40*50	1	Replaces 3795766
481	3794474	BARREL HOUSING	TRUMHUS	1	
491	949068	HEX S SCR M10*35 10.9	INS SKRUV M10*35 10.9	8	KLASS 10.9

F1-60 Part No. 3794260, 3794261

Up to Serial No. 1993210723

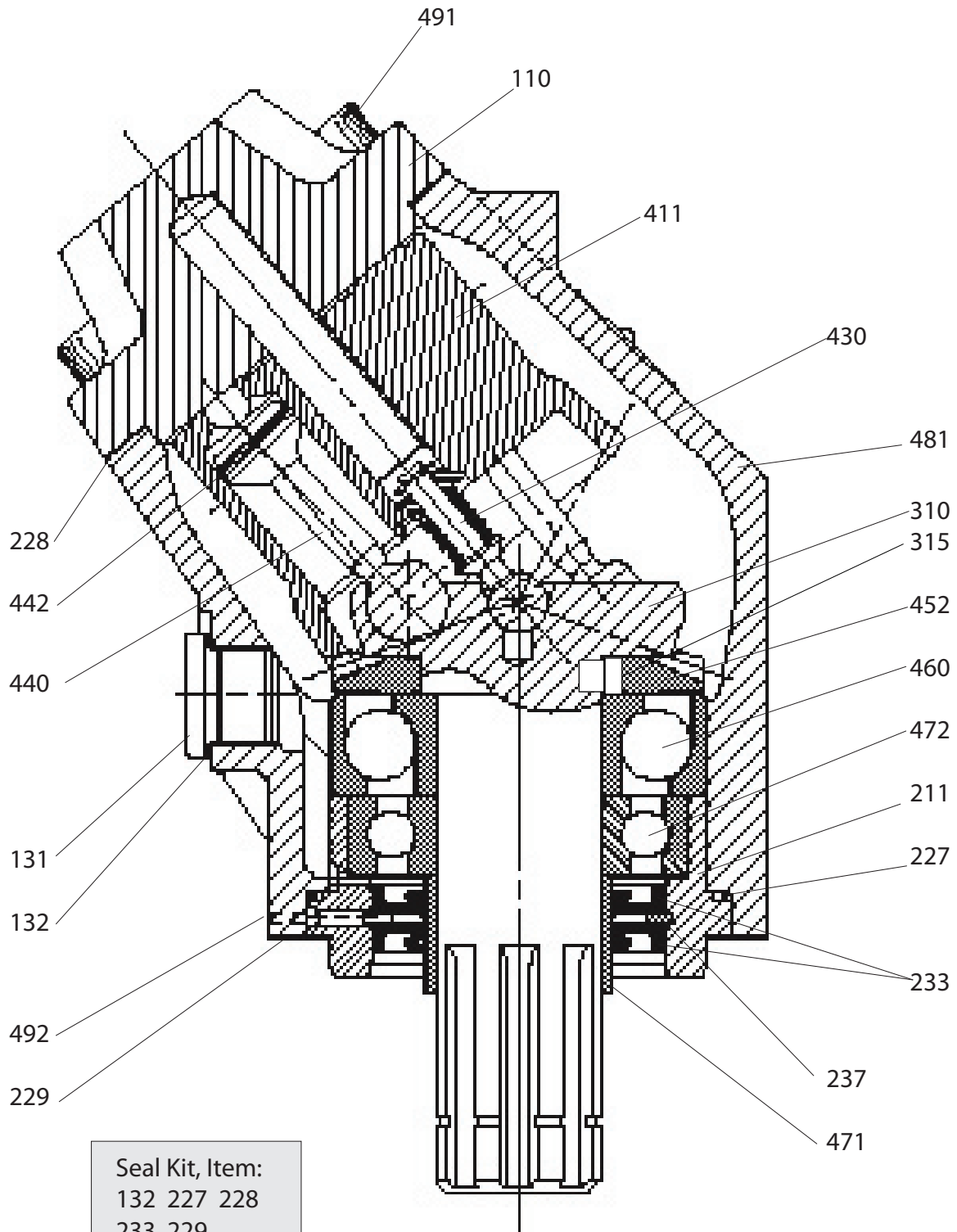
Item	Part No	Title	Benämning	Qty	Remarks
110	3794263	END CAP ASSY	ANSLUTNINGSTOPP KPL	1	
131	3785227	HEX SOCKET PLUG R1/2	INSEXPROPP R1/2	1	Replaces 3780933
210	3794247	BEARING HOUSING	LAGERHUS TYP S	1	
227	3794266	O-RING 96.6*1.6 N 70	O-RING 96,6*1,6 N 70	1	
228	3703901	GASKET 0.25	PACKNING 0,25	2	
228	3794904	GASKET 0.40	PACKNING 0,40	2	
233	118773	SHAFT SEAL 40*62*6	TÄTNINGSRING 40*62*6	1	
237	967822	RETAINING RING JK62	SPÄRRING JK62 DIN 984	1	
310	3795442	SHAFT ASSY TYPE S	AXEL KPL TYPE S	1	
315	3709162	GUIDE PIN	STYRTAPP 8*16	1	
411	3703868	CYLINDER BARREL	CYLINDERTRUMMA	1	Not available
430	3709839	BARREL SUPPORT	TRUMSTÖD	1	
440	3706405	PISTON ASSY	KOLV KPL	5	
442	3705975	PISTON RING DIA 21.6	LAMELLRING DIAM 21,6	15	
452	3704560	RING GEAR	KUGGKRANS	1	Not available
460	118025	TAP ROL BEARING 31308	KON RULLAGER 31308	1	ALT 3793547
465	914530	RETAINING RING SGH55	SPÄRRING SGH55	1	
470	3703905	NEEDLE BEARING	NÅLLAGER NKS40	1	
471	3796039	INNER RING 35*40*25	INNERRING 35*40*25	1	Replaces 3703976
473	3795766	INNER RING	INNERRING	1	
481	3794474	BARREL HOUSING	TRUMHUS	1	
491	949068	HEX S SCR M10*35 10.9	INS SKRUV M10*35 10.9	8	KLASS 10.9

F1-60 Part No. 3794260, 3794261

From Serial No. 1993210724 and up

Item	Part No	Title	Benämning	Qty	Remarks
110	3794263	END CAP ASSY	ANSLUTNINGSTOPP KPL	1	
131	3785227	HEX SOCKET PLUG R1/2	INSEXPROPP R1/2	1	Replaces 3780933
210	3794247	BEARING HOUSING	LAGERHUS TYP S	1	
227	3794266	O-RING 96.6*1.6 N 70	O-RING 96,6*1,6 N 70	1	
228	3703901	GASKET 0.25	PACKNING 0,25	2	
228	3794904	GASKET 0.40	PACKNING 0,40	2	
233	118773	SHAFT SEAL 40*62*6	TÄTNINGSRING 40*62*6	1	
237	967822	RETAINING RING JK62	SPÅRRING JK62 DIN 984	1	
310	3799878	SHAFT ASSY TYPE S	AXEL KPL TYPE S	1	Replaces 3795442
315	3709162	GUIDE PIN	STYRTAPP 8*16	1	
411	3799393	CYLINDER BARREL	CYLINDERTRUMMA	1	Replaces 3795340
430	3709839	BARREL SUPPORT	TRUMSTÖD	1	
440	3706405	PISTON ASSY	KOLV KPL	5	
442	3705975	PISTON RING DIA 21.6	LAMELLRING DIAM 21,6	15	
452	3799395	RING GEAR	KUGGKRANS	1	Replaces 3795834
460	118025	TAP ROL BEARING 31308	KON RULLAGER 31308	1	ALT 3793547
465	914530	RETAINING RING SGH55	SPÅRRING SGH55	1	
470	3703905	NEEDLE BEARING	NÅLLAGER NKS40	1	
473	3799892	INNER RING 35*40*50	INNERRING 35*40*50	1	Replaces 3795766
481	3794474	BARREL HOUSING	TRUMHUS	1	
491	949068	HEX S SCR M10*35 10.9	INS SKRUV M10*35 10.9	8	KLASS 10.9

Picture for T1-50



T1-50-R: 3792050, T1-50-L: 3792051
 Serial No. 9010001 to 1994281152

Item	Part No	Title	Benämning	Qty	Remarks
110	3792021	END CAP ASSY	ANSLUTNINGSTOPP KPL	1	
131	3785227	HEX SOCKET PLUG R1/2	INSEXPROPP R1/2	1	Replaces 3780933
211	3792877	SEAL CARRIER	TÄTRINGSHÅLLARE	1	
227	925095	O-RING 84.5*3	O-RING 84,5*3	1	70 IRH
228	3792022	GASKET	PACKNING		
233	118773	SHAFT SEAL 40*62*6	TÄTNINGSRING 40*62*6	2	
237	967822	RETAINING RING IK62	SPÄRRING IK62 DIN 984	1	
229	3793130	GASKET	PACKNING	1	
311	3792023	SHAFT	AXEL	1	Not available
411	3792025	CYLINDER BARREL	CYLINDERTRUMMA	1	
430	3709839	BARREL SUPPORT	TRUMSTÖD	1	
440	3792027	PISTON ASSY	KOLV KPL	5	
442	3792841	PISTON RING	LAMELLRING	15	
452	3792029	RING GEAR	KUGGKRANS	1	
460	183241	BEARING	V KONT KULLAG 7307B	1	
472	11014	BEARING	KULLAG 6207	1	
471	3796039	INNER RING	INNERRING	1	Replaces 3703976
481	3709309	BARREL HOUSING	TRUMHUS	1	
491	949068	HEX SOCKET SCREW	INSEXSKRUV M10*35	4	KLASS 10.9
492	967299	SET SCREW	STOPPSKRUV M4*10	1	
	3793572	SEAL KIT	TÄTNINGSSATS		

T1-50-R: 3792050, T1-50-L:3792051
Serial No 1994190245 ang higher

Item	Part No	Title	Benämning	Qty	Remarks
110	3792021	END CAP ASSY	ANSLUTNINGSTOPP KPL	1	
131	3785227	HEX SOCKET PLUG R1/2	INSEXPROPP R1/2	1	Replaces 3780933
211	3792877	SEAL CARRIER	TÄTRINGSHÅLLARE	1	
227	925095	O-RING 84.5*3 N 70	O-RING 84,5*3 N 70	1	
228	3792022	GASKET 0.25	PACKNING 0,25	2	
228	3794907	GASKET 0.40	PACKNING 0,40	2	
229	3793130	GASKET	PACKNING	1	
233	118773	SHAFT SEAL 40*62*6	TÄTNINGSRING 40*62*6	2	
237	967822	RETAINING RING JK62	SPÄRRING JK62 DIN 984	1	
310	3783180	SHAFT ASSY	AXEL KPL	1	Replaces 3796172
311	3796167	SHAFT	AXEL	1	
315	3709162	GUIDE PIN	STYRTAPP 6*11	1	
411	3785825	CYLINDER BARREL	CYLINDERTRUMMA	1	Replaces 3792025
430	3709839	BARREL SUPPORT	TRUMSTÖD	1	
440	3792027	PISTON ASSY	KOLV KPL	5	
442	3792841	PISTON RING DIA 20.65	LAMELLRING DIAM 20,65	15	
452	3783181	RING GEAR	KUGGKRANS	1	Replaces 3797710
460	183241	BEARING	V KONT KULLAG 7307B	1	
471	3796039	INNER RING 35*40*25	INNERRING 35*40*25	1	
472	11014	BEARING	KULLAGER 6207	1	
480	3709309	BARREL HOUSING ASSY	TRUMHUS KPL	1	
248	3793510	WASHER	BRICKA	1	
249	116090	GROOVED RIVET	NIT	1	
481	3794958	BARREL HOUSING	TRUMHUS	1	
491	949068	HEX S SCR M10*35 10.9	INS SKRUV M10*35 10.9	4	10.9
492	967299	SET SCREW	STOPPSKRUV M4*10	1	

T1-051-R 3782250, T1-051-L 3782251
 From Serial No. 200311120001

Item	Part No	Title	Benämning	Qty	Remarks
110	3785824	END CAP ASSY	ANSLUTNINGSTOPP KPL	1	Replaces 3785080
110	3785823	ENS CAP ASSY	ANSLUTNINGSTOPP KPL	1	Threaded version
131	3785227	HEX SOCKET PLUG R1/2	INSEXPROPP R1/2	1	Replaces 3780933
211	3792877	SEAL CARRIER	TÄTRINGSHÅLLARE	1	
227	925095	O-RING 84.5*3 N 70	O-RING 84,5*3 N 70	1	
228	3792022	GASKET 0.25	PACKNING 0,25	2	
228	3794907	GASKET 0.40	PACKNING 0,40	2	
229	3793130	GASKET	PACKNING	1	
233	118773	SHAFT SEAL 40*62*6	TÄTNINGSRING 40*62*6	2	
237	967822	RETAINING RING JK62	SPÅRRING JK62 DIN 984	1	
310	3783180	SHAFT ASSY	AXEL KPL	1	
411	3785825	CYLINDER BARREL	CYLINDERTRUMMA	1	Replaces 3792025
430	3709839	BARREL SUPPORT	TRUMSTÖD	1	
440	3792027	PISTON ASSY	KOLV KPL	5	
452	3783181	RING GEAR	KUGGKRANS	1	
460	183241	BEARING	V KONT KULLAG 7307B	1	
471	3796039	INNER RING 35*40*25	INNERRING 35*40*25	1	
472	11014	BEARING	KULLAGER 6207	1	
480	3709309	BARREL HOUSING ASSY	TRUMHUS KPL	1	
491	974109	HEX S SCR M10*35 10.9	INS SKRUV M10*35 10.9	4	10.9
492	967299	SET SCREW	STOPPSKRUV M4*10	1	

Piston ring kit see SI 08/02

Note! If you change end cap you need to change cylinder barrel as well or vice versa if the unit is manufactured before serial number 200605120776.

Items included in the Spare Part
 Kits
 for T1.

111, 130, 223, 233,236, 238, 411,
 430, 440, 465, 470, 473, 982.

Unit Part no.
 T1-51 3782809

T1-80 Part No. 3796580, 3796680, 3797080

From serial No. 1994101485 and up to 1996490000

Item	Part No	Title	Benämning	Qty	Remarks
110	3796529	END CAP ASSY	ANSLUTNINGSTOPP KPL	1	
131	3785227	HEX SOCKET PLUG R1/2	INSEXPLOPP R1/2	1	Replaces 3780933
210	3703825	BEARING HOUSING ASSY	LAGERHUS KPL	1	Not available
248	3793510	WASHER	BRICKA	1	
249	116090	GROOVED RIVET	NIT	1	
227	3794266	O-RING	O-RING	1	
228	3703901	GASKET 0.25	PACKNING 0,25	2	
228	3794904	GASKET 0.40	PACKNING 0,40	2	
233	118773	SHAFT SEAL 40*62*6	TÄTNINGSRING 40*62*6	2	
237	967822	RETAINING RING JK62	SPÅRRING JK62 DIN 984	1	
310	3795433	SHAFT ASSY	AXEL KPL	1	
315	3709162	GUIDE PIN	STYRTAPP 8*16	1	
411	3799396	CYLINDER BARREL	CYLINDERTRUMMA	1	Replaces 3796522 430
430	3709839	BARREL SUPPORT	TRUMSTÖD	1	
432	3703894	SUPPORT PIN	STÖDTAPP	1	
433	3703899	COMPRESSION SPRING	TRYCKFJÄDER	1	
434	3703895	SUPPORT RING	STÖDRING	1	
435	951667	CIRCLIP 4*0.7	SPÅRRYTARE 4*0,7	1	
440	3796530	PISTON ASSY	KOLV KPL	5	
442	3796526	PISTON RING DIA 25	LAMELLRING DIAM 25	15	
452	3799395	RING GEAR	KUGGKRANS	1	Replaces 3795834
460	118025	TAP ROL BEARING 31308	KON RULLAGER 31308	1	ALT 3793547
465	914530	RETAINING RING SGH55	SPÅRRING SGH55	1	
470	3703905	NEEDLE BEARING	NÅLLAGER NKS40	1	
473	3796039	INNER RING 35*40*25	INNERRING 35*40*25	2	
481	3794474	BARREL HOUSING	TRUMHUS	1	Not available
491	949068	HEX S SCR M10*35 10.9	INS SKRUV M10*35 10.9	8	KLASS 10.9

T1-80 Part No. 3796580, 3796680, 3797080
From Serial No. 1996490001

Item	Part No	Title	Benämning	Qty	Remarks
110	3796529	END CAP ASSY	ANSLUTNINGSTOPP KPL	1	
131	3785227	HEX SOCKET PLUG R1/2	INSEXPROPP R1/2	1	Replaces 3780933
210	3797189	BEARING HOUSING ASSY	LAGERHUS KPL	1	Replaces 3703825
248	3793510	WASHER	BRICKA	1	
249	116090	GROOVED RIVET	NIT	1	
227	3797193	O-RING	O-RING	1	Replaces 3794266
228	3703901	GASKET 0.25	PACKNING 0,25	2	
228	3794904	GASKET 0.40	PACKNING 0,40	2	
233	118773	SHAFT SEAL 40*62*6	TÄTNINGSRING 40*62*6	2	
237	967822	RETAINING RING JK62	SPÅRRING JK62 DIN 984	1	
310	3795433	SHAFT ASSY	AXEL KPL	1	
315	3709162	GUIDE PIN	STYRTAPP 8*16	1	
411	3799396	CYLINDER BARREL	CYLINDERTRUMMA	1	Replaces 3796522 430
430	3709839	BARREL SUPPORT	TRUMSTÖD	1	
432	3703894	SUPPORT PIN	STÖDTAPP	1	
433	3703899	COMPRESSION SPRING	TRYCKFJÄDER	1	
434	3703895	SUPPORT RING	STÖDRING	1	
435	951667	CIRCLIP 4*0.7	SPÅRRYTTARE 4*0,7	1	
440	3796530	PISTON ASSY	KOLV KPL	5	
442	3796526	PISTON RING DIA 25	LAMELLRING DIAM 25	15	
452	3799395	RING GEAR	KUGGKRANS	1	Replaces 3795834
460	3797156	TAP ROL BEARING 31308	KON RULLAGER 31308	1	ALT 3793547
465	914530	RETAINING RING SGH55	SPÅRRING SGH55	1	
470	3703905	NEEDLE BEARING	NÅLLAGER NKS40	1	
473	3796039	INNER RING 35*40*25	INNERRING 35*40*25	2	
481	3797190	BARREL HOUSING	TRUMHUS	1	Replaces 3794474
491	949068	HEX S SCR M10*35 10.9	INS SKRUV M10*35 10.9	8	KLASS 10.9

T1-081-R 3782180, T1-081-L 3782181

Item	Part No	Title	Benämning	Qty	Remarks
110	3783388	END CAP ASSY	ANSLUTNINGSTOPP KPL	1	
131	3785227	HEX SOCKET PLUG R1/2	INSEXPLOPP R1/2	1	Repl. 3780933
210	3781722	BEARING HOUSING ASSY	LAGERHUS KPL	1	
223	3781742	O-RING	O-RING	1	
233	3783000	SHAFT SEAL 40*62*6	TÄTNINGSRING 40*62*6	1	
310	3781737	SHAFT ASSY	AXEL KPL	1	
411	3781985	CYLINDER BARREL	CYLINDERTRUMMA	1	
430	3780483	BARREL SUPPORT	TRUMSTÖD	1	
440	3782421	PISTON ASSY	KOLV KPL	5	
452	3780284	RING GEAR	KUGGKRANS	1	
460	3780418	TAP ROL BEARING 31307	KON RULLAGER 31307	1	
470	3782077	ROLLER BEARING	KULLAGER	1	
473	3782770	INNER RING 35*42*16,5	INNERRING 35*42*16,5	1	
491	3782191	HEX S SCR M12*45 10.9	INS SKRUV M12*45 10.9	4	
492	3782836	ASSEMBLY KIT	MONTERINGSSATS	1	

Piston ring kit see SI 08/02

Items included in the Spare Part Kits
 for T1.

110, 131, 223, 233, 236, 238, 411,
 430, 440, 465, 470, 473, 982.

Unit	Part no.
T1-51	3782809
T1-81	3782807
T1-121	3782808

T1-121-R 3782120, T1-121-L 3782121

Item	Part No	Title	Benämning	Qty	Remarks
110	3781968	END CAP ASSY	ANSLUTNINGSTOPP KPL	1	
131	3785227	HEX SOCKET PLUG R1/2	INSEXPROPP R1/2	1	Repl. 3780933
210	3785760	BEARING HOUSING ASSY	LAGERHUS KPL	1	
223	3781743	O-RING	O-RING	1	
233	3783000	SHAFT SEAL 40*62*6	TÄTNINGSRING 40*62*6	1	
310	3781738	SHAFT ASSY	AXEL KPL	1	
411	3781986	CYLINDER BARREL	CYLINDERTRUMMA	1	
430	3780223	BARREL SUPPORT	TRUMSTÖD	1	
440	3782423	PISTON ASSY	KOLV KPL	7	
452	3780048	RING GEAR	KUGGKRANS	1	
460	3780001	TAP ROL BEARING 31307	KON RULLAGER 31307	1	
470	3782077	ROLLER BEARING	KULLAGER	1	
473	3782770	INNER RING 35*42*16,5	INNERRING 35*42*16,5	1	
491	3782191	HEX S SCR M12*45 10.9	INS SKRUV M12*45 10.9	4	
492	3781725	ASSEMBLY KIT	MONTERINGSSATS	1	

Piston ring kit see SI 08/02

Items included in the Spare Part Kits
for T1.

110, 131, 223, 233, 236, 238, 411,
430, 440, 465, 470, 473, 982.

Unit	Part no.
T1-51	3782809
T1-81	3782807
T1-121	3782808

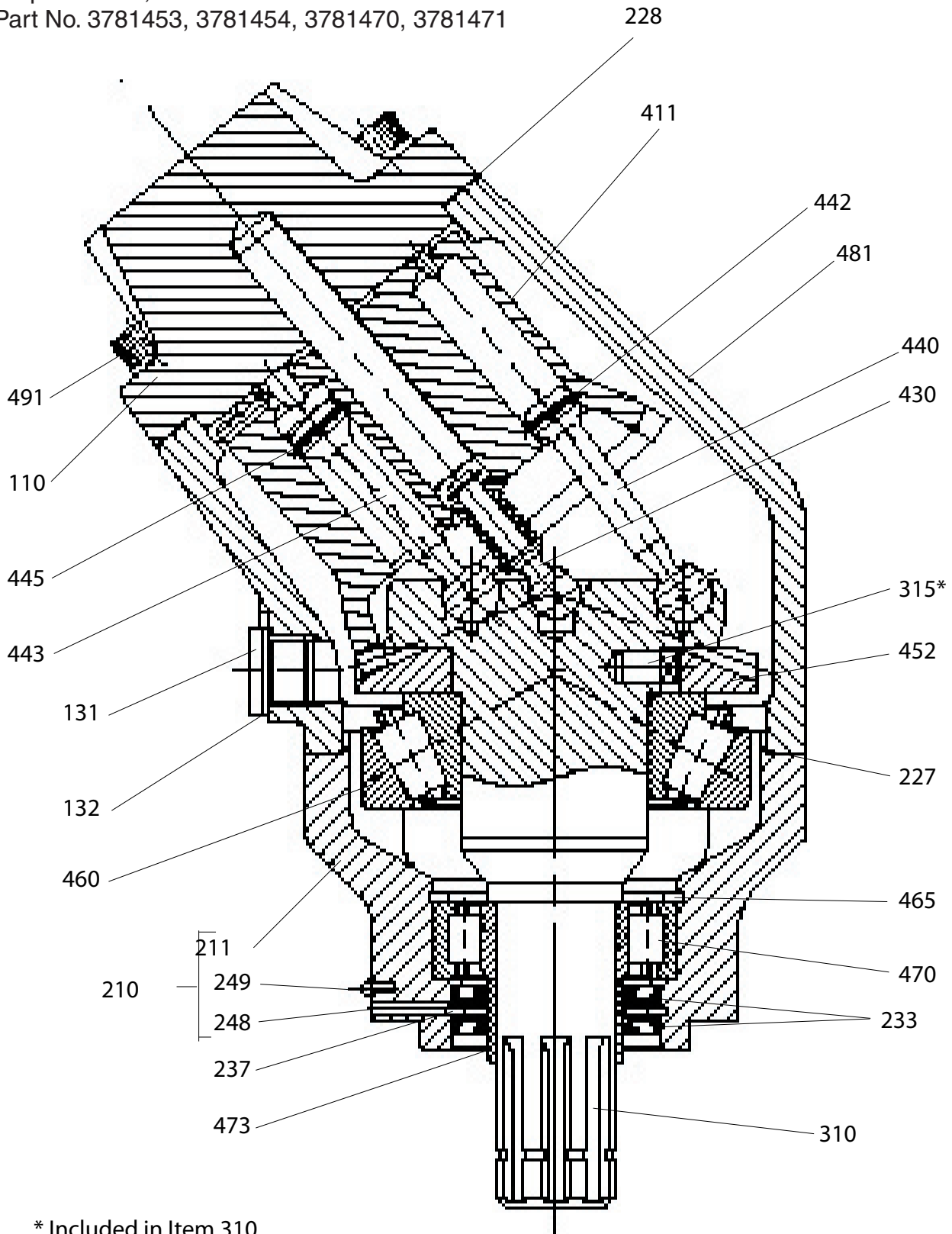
F2-70/35, -53/53

Part No. 3799960, 3799970, 3799980, 3799990

are placed from serial no. 2000070001 with

F2-plus-70/35, -53/53

Part No. 3781453, 3781454, 3781470, 3781471



* Included in Item 310

F2-plus -70/70, -70/35, -53/53, -42/42, -55/28 from serial no. 2000070001

Item	Part No	Title	Benämning	Qty	Remarks
110	3786226	End Cap assy	Anslutningstopp kpl	1	R-rotation, 70/70
110	3786227	End Cap assy	Anslutningstopp kpl	1	L-rotation, 70/70
110	3781442	End Cap assy	Anslutningstopp kpl	1	R-rotation, 70/35
110	3781444	End Cap assy	Anslutningstopp kpl	1	L-rotation, 70/35
110	3781445	End Cap assy	Anslutningstopp kpl	1	L-rotation, 53/53
110	3781446	End Cap assy	Anslutningstopp kpl	1	R-rotation, 53/53
110	3785971	End Cap assy	Anslutningstopp kpl	1	R-rotation, 42/42
110	3785972	End Cap assy	Anslutningstopp kpl	1	L-rotation, 42/42
110	3785968	End Cap assy	Anslutningstopp kpl	1	R-rotation, 55/28
110	3785969	End Cap assy	Anslutningstopp kpl	1	L-rotation, 55/28
130	3785227	Hex. Socket Plug	Insexpropp	1	Replaces 3780933
210	3708113	Bearing Housing Assy	Lagerhus,kpl	1	
227	3794268	O-ring	O-ring	1	
228	3703977	Gasket	Packning		0.25 mm
228	3794905	Gasket	Packning		0.40 mm
233	118773	Shaft Seal	Tätningarring	2	40*62*6
237	967822	Retaining Ring	Spärring	1	
248	3793510	Washer	Bricka	1	
249	116090	Grooved Rivet	Nit	1	
310	3786237	Shaft. assy	Axel, kpl	1	70/70
310	3795440	Shaft, assy	Axel, kpl	1	70/35 - 55/28
310	3796655	Shaft, assy	Axel, kpl	1	53/53 - 42/42
411	3783535	Cylinder Barrel	Cylindertrumma	1	55/28
411	3783652	Cylinder Barrel	Cylindertrumma	1	42/42
411	3780207	Cylinder Barrel	Cylindertrumma	1	53/53 replaces 3795317
411	3780484	Cylinder Barrel	Cylindertrumma	1	70/35 replaces 3795271
411	3786228	Cylinder Barrel	Cylindertrumma	1	70/70
430	3709840	Barrel Support	Trumstöd	1	
440	3786249	Piston assy	Kolv kpl	5	70/70
440	3799991	Piston assy	Kolv kpl	5	70/35
440	3791993	Piston assy	Kolv kpl	5	53/53 - 55/28
440	3783555	Piston assy	Kolv kpl	5	42/42
442	3705784	Piston Ring	Lamellring	15	Not available see SI 08/02
442	3795377	Piston Ring	Lamellring	15	Not available see SI 08/02
443	3786250	Piston assy	Kolv kpl	5	70/70
443	3791993	Piston assy	Kolv kpl	5	70/35 - 42/42
443	3799991	Piston assy	Kolv kpl	5	53/53
443	3783555	Piston assy	Kolv kpl	5	55/28
445	3795377	Piston Ring	Lamellring	15	Not available see SI 08/02
445	3705784	Piston Ring	Lamellring	15	Not available see SI 08/02
452	3795313	Ring Gear	Kuggkrans	1	
460	184660	Tapered Roller Bearing	Kon. Rullager	1	T7FC 055
465	914537	Retaining Ring	Spärring	1	
470	3705743	Cylindrical Bearing	Cyl. Lager	1	NU2207ECP
473	3796039	Inner Ring	Innerring	1	
481	3780067	Barrel Housing	Trumhus	1	
491	3782191	Hex. Socket Screw	Insexskruv	8	M12*45, 10.9 replaces 968580

Kits for F2-plus -053/053, -070/035, -070/070, -055/028, -042/042

To fit	Part No	Title	Benämning	Serialno:
F2-042/042-R	3785976	Spare Parts Kit	Reservdelssats	
F2-042/042-L	3785977	Spare Parts Kit	Reservdelssats	
F2-055/028-R	3785974	Spare Parts Kit	Reservdelssats	
F2-055/028-L	3785975	Spare Parts Kit	Reservdelssats	
F2-053/053-L	3781568	Spare Parts Kit	Reservdelssats	2000070001
F2-053/053-R	3781569	Spare Parts Kit	Reservdelssats	2000070001
F2-070/035-L	3781571	Spare Parts Kit	Reservdelssats	2000070001
F2-070/035-R	3781570	Spare Parts Kit	Reservdelssats	2000070001
F2-070/070-R	3786350	Spare Parts Kit	Reservdelssats	
F2-070/070-L	3786351	Spare Parts Kit	Reservdelssats	
F2-all sizes	3783307	Sealing Kit	Tätsats	

The Spare Parts Kits comprise items 110, 227, 228, 233, 411, 440, 443 and 473.
If more parts are required it is normally not profitable to carry out a repair.



Parker Hannifin
Pump and Motor Division
Flygmotorvägen 2
SE-461 82 Trollhättan
Sweden
Tel: +46 (0)520 40 45 00
Fax: +46 (0)520 371 05
www.parker.com