

1

2

3

4

5

6

7

8

9

10

11

12

A

B

C

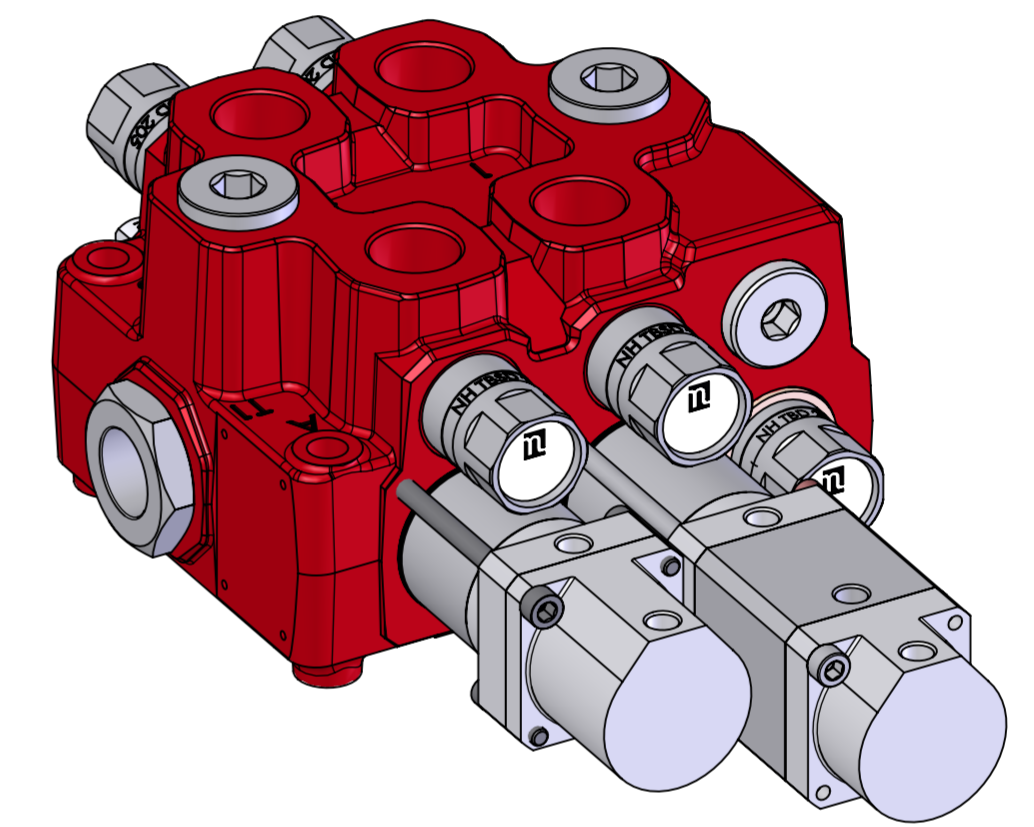
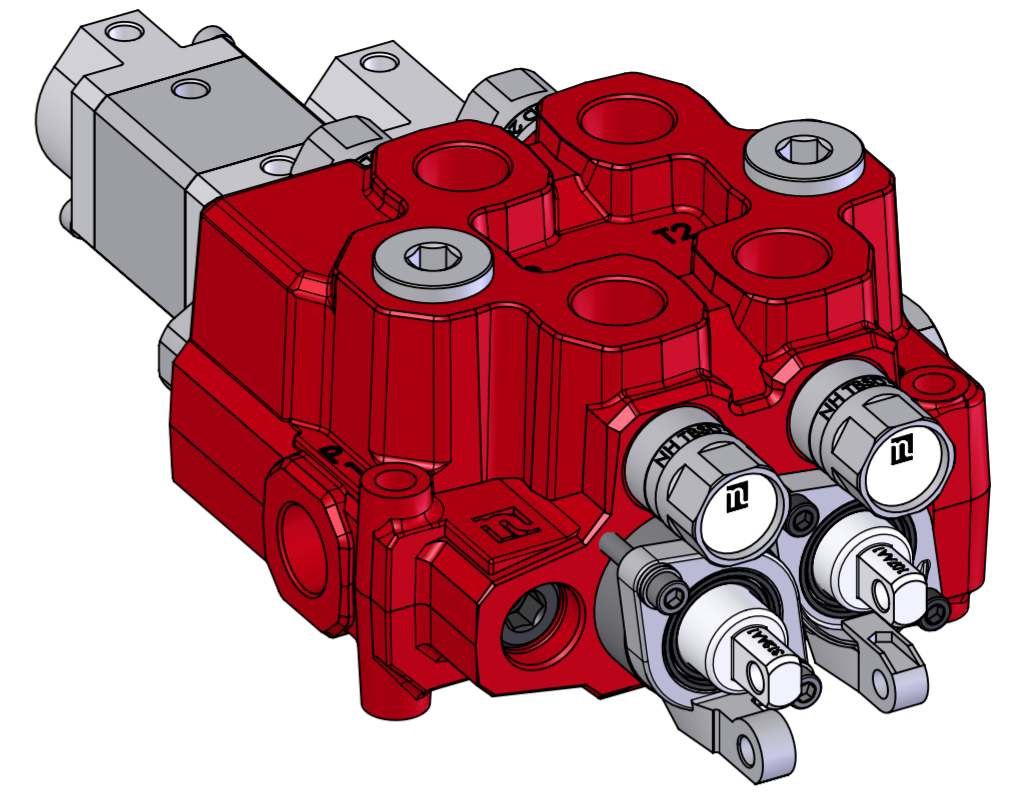
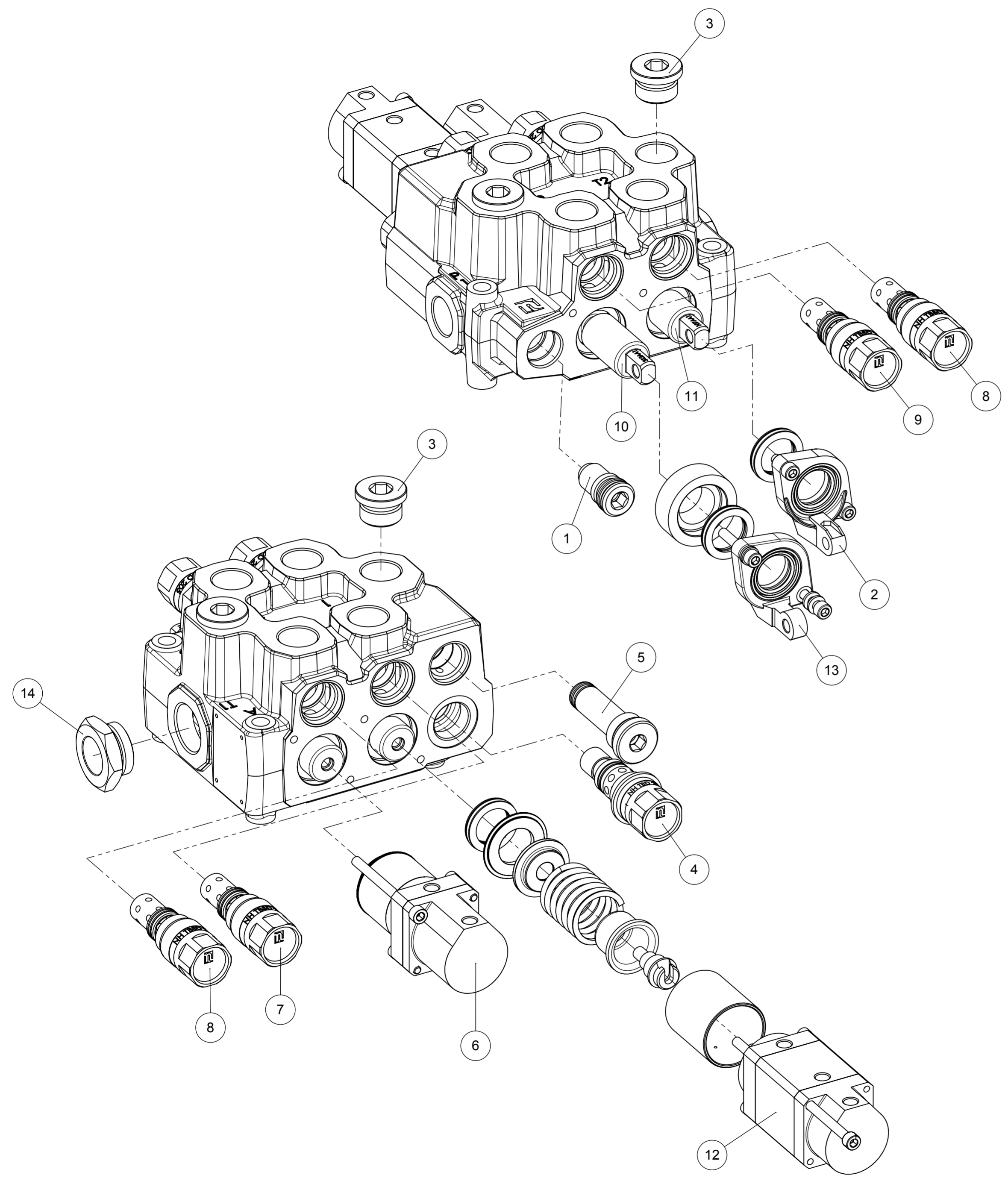
D

E

F

G

H



ITEM NO.	QTY.	PART NO.	SAP MTRL.NO.	DESCRIPTION
1	1	2250-220017	6900002062	MB01 Check valve
2	1	2200-269632	3501927	M19 Actuator
3	2	2310-450100	6900002254	PG06 Plug G3/4"
4	1	2275-200244	6900002165	TBD200-250bar Main relief valve
5	1	2310-6919227	3490193	PE50 Plug
6	1	2175-804292	6900001936	PMK2 Spool control
7	1	2275-701200	6900002207	TBSD205-200bar Service port valve
8	2	2275-701140	3735131	TBSD205-140bar Service port valve
9	1	2275-701040	6900001666	TBSD205-40bar Service port valve
10	1	2125-269844	3515210	312AA1 Spool
11	1	2125-3905331	6900001878	107AA1 Spool
12	1	2175-803890	3515131	P5MK2 Spool control
13	1	2200-6929991	3515230	M212 Actuator
14	1	2230-260058	6900001959	Reducing adaptor G1" to G3/4"

HYDAC ADA Version	Kanter Corners ISO13715	Ytkvalitet Surface quality	ISO 1302	Generella toleranser / General tolerances - SIZE ISO 14405(E)
			1:2	Form- och lägetolerans / Toleransklass Geometrical tolerances / Tolerance class Basmått / linear dimensions (mm)
			Skala	Färdigmått / Finished size
Ord./Utv.-Projekt nr Ord.-Devel.-Project-No		Datum / Date 23.03.2017		Namn / Name RICKARL
nr No Vers. Vers.	kontrollerad Chkd. on ändrad Modif. on	kontr. av Chkd. by ändrad av Modif. by	Ä.M.nr Notice of change No	Del / Part 000 ritad / Drawn kontr. / Chkd.
Sida Sheet of 2 / 2	Benämning / Description RM 272A, TBD200-250bar/PE50/P5MK2/PMK2			SAP Ritn. / Mat. nr. SAP Draw. / Mat. No. 4243693
Format/Size A2	Spool: 312AA1 / 107AA1 // Spare Parts			Art. nr. / Part No. 1602-02150
SW-Vers. 2012				NH Ritn nr. / NH Draw. No. Ersätter/Exchange for Ersatt av / Replaced by

1

2

3

4

5

6

7

8

9

10

11

12

V7.1