



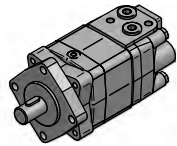
MOTORE "Z-J HYDRAULIC"
"Z-J HYDRAULIC" MOTOR
MOTOR "Z-J HYDRAULIC"

ALBERO CILINDRICO Ø32
PARALLEL SHAFT Ø32
ZYLINDRISCHE WELLE Ø32

FLANGIA "SAE A" - 4 FORI
"SAE A" FLANGE - 4 HOLES
FLANSCH "SAE A" - 4 BOHRUNGEN

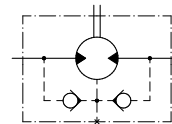
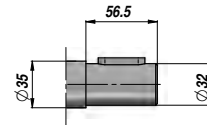
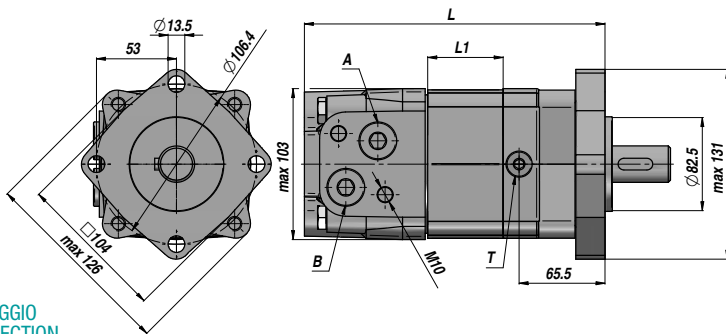
Standard: CON CUSCINETTI A RULLI PER CARICHI RADIALI - WITH NEEDLE BEARINGS FOR RADIAL LOADS - MIT ROLLENLAGERN FÜR RADIALE BELASTUNG

VALVOLE UNIDIREZIONALI INCORPORATE
BUILT-IN CHECK VALVES
EINGebaUTE RÜCKSCHLAGVENTILE



VERNICIATO NERO
BLACK PAINTED
SCHWARZ GRUNDIERT

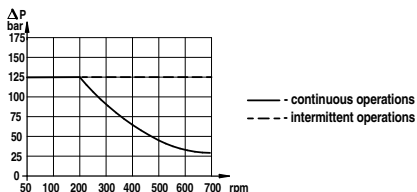
PREDISPOSTO PER IL DRENAGGIO
MACHINED FOR DRAIN CONNECTION
FÜR DRÄNLEITUNG GEEIGNET



Codice Code Bestell-Nr.	Tipo Type Typ	cm ³ /giro cm ³ /rev cm ³ /U	n. Max giri/min rpm - U/Min.	M Max daNm	Q MAX l/min	P MAX bar			A - B	T	L	L1	kg	
						Caduta Drop Gefälle Δp	Ingresso Inlet Eingang	Ritorno Return Rücklauf						
LAVORO CONTINUO - CONTINUOUS WORK - DAUERARBEIT														
MCSY080C00	MC-SY 80 C	80,6	800	22,5	65	205	225	125 *			170	16,0	9,80	
MCSY100C00	MC-SY 100 C	100,8	748	29,0	75	205	225	125 *			174	20,0	10,00	
MCSY125C00	MC-SY 125 C	125,0	600	36,5	75	205	225	125 *			179	25,0	10,30	
MCSY160C00	MC-SY 160 C	154,0	470	48,5	75	210	225	125 *			181	27,0	10,70	
MCSY200C00	MC-SY 200 C	194,0	375	58,6	75	210	225	125 *	1/2"	1/4"	188	34,0	11,10	
MCSY250C00	MC-SY 250 C	243,0	300	70,8	75	200	225	125 *			196	42,0	11,60	
MCSY315C00	MC-SY 315 C	311,0	240	88,0	75	200	225	125 *			208	54,0	12,30	
MCSY400C00	MC-SY 400 C	394,0	185	88,0	75	160	225	125 *			223	69,0	13,20	
MCSY475C00	MC-SY 475 C	475,0	155	91,0	75	140	225	125 *			237	83,0	14,30	

* = CON DRENAGGIO - WITH DRAIN - MIT DRÄNLEITUNG

PRESSIONE MAX. AL RITORNO SENZA DRENAGGIO
MAX. RETURN PRESSURE WITHOUT DRAIN
MAX GEGENDRUCK OHNE DRÄNLEITUNG



CARICHI AMMESSI SULL'ALBERO
PERMISSIBLE SHAFT LOADS
ZULÄSSIGE WELLENBELASTUNGEN

