

MOTORI ORBITALI HYDRAULIC MOTORS - HYDRAULIKMOTOREN



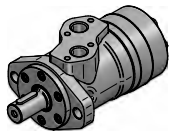
MOTORE "Z-J HYDRAULIC"
"Z-J HYDRAULIC" MOTOR
MOTOR "Z-J HYDRAULIC"

ALBERO CILINDRICO Ø25
PARALLEL SHAFT Ø25
ZYLINDRISCHE WELLE Ø25

FLANGIA "SAE A" - 2 FORI
"SAE A" FLANGE - 2 HOLES
FLANSCH "SAE A" - 2 BOHRUNGEN

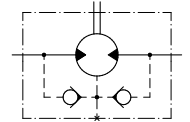
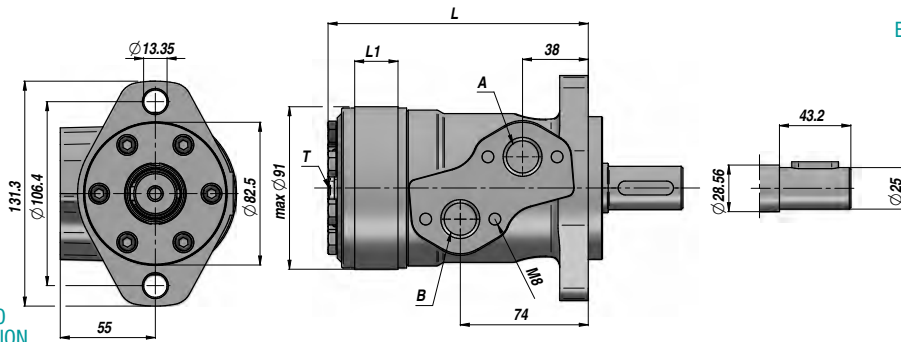
Standard: CON CUSCINETTI A RULLI PER CARICHI RADIALI - WITH NEEDLE BEARINGS FOR RADIAL LOADS - MIT ROLLENLAGERN FÜR RADIALE BELASTUNG

VALVOLE UNIDIREZIONALI INCORPORATE
BUILT-IN CHECK VALVES
EINGebaUTE RÜCKSCHLAGVENTILE



VERNICIATO NERO
BLACK PAINTED
SCHWARZ GRUNDIERT

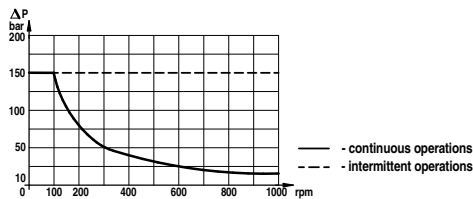
PREDISPOSTO PER IL DRENAGGIO
MACHINED FOR DRAIN CONNECTION
FÜR DRÄNLEITUNG GEEIGNET



Codice Code Bestell-Nr.	Tipo Type Typ	cm ³ /giro cm ³ /rev cm ³ /U	n. Max giri/min rpm - U/Min.	M Max daNm	Q MAX l/min	P MAX bar			A - B	T	L	L1	kg
						Caduta Drop Gefälle Δp	Ingresso Inlet Eingang	Ritorno Return Rücklauf					
LAVORO CONTINUO - CONTINUOUS WORK - DAUERARBEIT													
MCPN036CDO	MC-PN 36 CD	36.0	1500	5.5	55	125	165	165 *			137,0	7.0	5,60
MCPN050CDO	MC-PN 50 CD	51.7	1150	10.0	60	140	165	165 *			137,0	7.0	5,60
MCPN080CDO	MC-PN 80 CD	77.7	770	14,6	60	140	165	165 *			140,5	10,5	5,70
MCPN100CDO	MC-PN 100 CD	96.2	615	18,2	60	140	165	165 *			143,0	13,0	5,90
MCPN125CDO	MC-PN 125 CD	120,2	490	23,6	60	140	165	165 *			146,0	16,0	6,00
MCPN160CDO	MC-PN 160 CD	157,2	383	30,2	60	140	165	165 *	1/2"	1/4"	151,0	21,0	6,20
MCPN200CDO	MC-PN 200 CD	194,5	310	36,0	60	140	165	165 *			157,0	26,0	6,40
MCPN250CDO	MC-PN 250 CD	240,3	250	38,0	60	110	165	165 *			162,0	32,0	6,60
MCPN315CDO	MC-PN 315 CD	314,5	192	37,5	60	90	165	165 *			172,0	42,0	6,90
MCPN400CDO	MC-PN 400 CD	389,5	155	36,0	60	70	165	165 *			182,0	52,0	7,40
MCPN500CDO	MC-PN 500 CD	486,5	120	38,5	60	60	165	165 *			195,0	65,0	8,00

* = CON DRENAGGIO - WITH DRAIN - MIT DRÄNLEITUNG

PRESSIONE MAX. AL RITORNO SENZA DRENAGGIO MAX. RETURN PRESSURE WITHOUT DRAIN MAX GEGENDRUCK OHNE DRÄNLEITUNG



CARICHI AMMESSI SULL'ALBERO PERMISSIBLE SHAFT LOADS ZULÄSSIGE WELLENBELASTUNGEN

