



Hydrocontrol

for Marine Applications



www.hydrocontrol-inc.com

COMPANY WITH QUALITY MANAGEMENT
SYSTEM CERTIFIED BY DNV
= ISO 9001:2000 =

COMPANY WITH ENVIRONMENTAL
MANAGEMENT SYSTEM CERTIFIED BY DNV
= ISO 14001 =



Hydrocontrol for Marine Applications

The new “Marinized” Valve is a valve designed specifically for the marine market. The valves spool, control kits and return kits are made of **316 Stainless Steel** or composite to endure the harsh salt water environment of marine applications.

The “Marinized” valve comes in four different sizes:

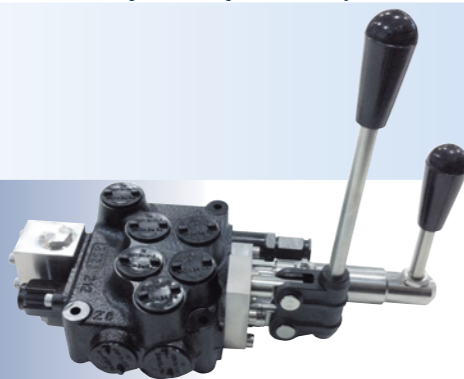
- **15 gpm monoblock valve rated at 5000 psi**
- **25 gpm sectional valve rated at 5000 psi**
- **40 gpm sectional valve rated at 5000 psi.**
- **67 gpm sectional valve rated at 4000 psi.**

All size valves are available with the following:

- **4-way, 3-position spool operation**
- **rotary or spring centered lever actuation**
- **available with a main relief valve**
- **available with an optional power beyond.**

HC-D10

Working section number **1 – 6**
Rated flow **55 l/min - 15 GPM**
Rated pressure **350 bar - 5000 PSI**
Spool pitch **35 mm**



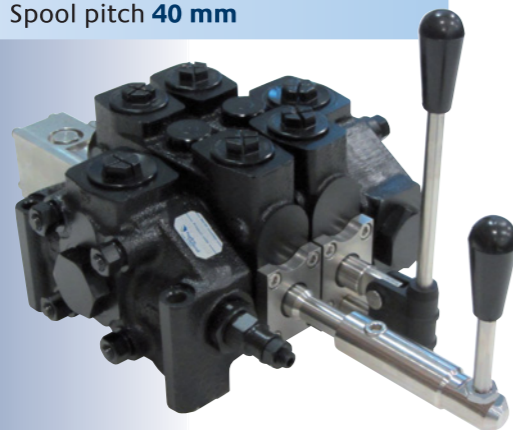
HC-D4

Working section number **1 – 12**
Rated flow **80 l/min - 22 GPM**
Rated pressure **350 bar - 5000 PSI**
Spool pitch **40 mm**



HC-D16

Working section number **1 – 12**
Rated flow **150 l/min - 40 GPM**
Rated pressure **350 bar - 5000 PSI**
Spool pitch **46 mm**



HC-DVS20

Working section number **1 – 12**
Rated flow **250 l/min - 67 GPM**
Rated pressure **275 bar - 4000 PSI**
Spool pitch **56 mm**

