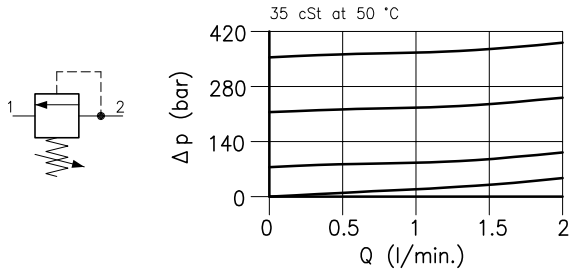
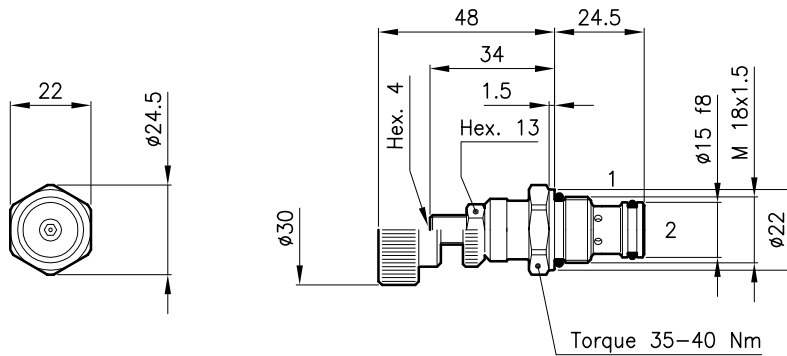


**Technical features**



Cavity (For dimensions see catalogue 17.000)	S 20/2
Max. flow (l/min.)	2
Max. inlet pressure (bar)	420
Max. pressure on line 1 (bar)	210
Fluid viscosity range (cSt)	2.8 - 380
Fluid temperature range (°C)	-20 +80
Mass (kg)	0.075
Cracking pressure 95% of setting value	
Reseat pressure 90% of setting value	
Cracking pressure defined with 0.1 l/min.	
Standard setting obtained with 0.5 l/min.	
Hydraulic fluid; mineral oil HM and HV ISO 6074	
Recommended filtration; 19/15 ISO 4466 (25 μ absolutes)	
Standard seals in Polyurethane and Buna N	

**Dimensions**



**Ordering informations**

**LPS 20/D-N**

**LPS 20** = Valve type



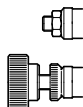
Standard springs

Type	Setting range	Factory set
<b>0</b>	= 3 - 30 bar	12 bar
<b>D</b>	= 7 - 210 bar	140 bar
<b>Q</b>	= 105 - 420 bar	315 bar

Adjustment type

**N** = Standard adjustment

**V** = Handknob adjustment



Codes:

LPS 20/0-N	11 011 114
LPS 20/D-N	11 011 100
LPS 20/Q-N	11 011 101
LPS 20/0-V	11 011 113
LPS 20/D-V	11 011 103
LPS 20/Q-V	11 011 102
External seals kit	90 620 100

LPS 20 valves can be assembled on standard bodies 20-LO series; for dimensions see catalogue 16.010