

Charging equipment

Charging valves

Standard V 10 and V 15 charging valves

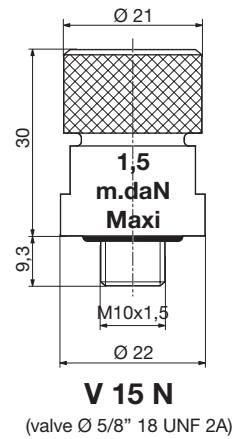
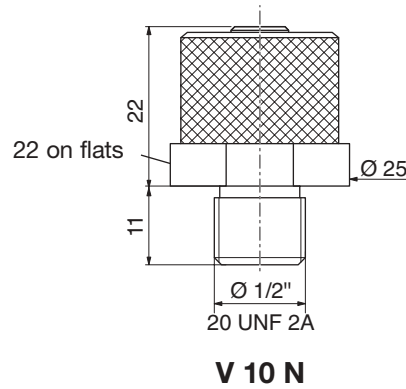
- V 10 N : standard valve, 1/2" UNF 20 threads per inch.
- V 10 F : stainless steel valve, 1/2" UNF 20 threads per inch.

V 15 valve for ABVE accumulators :

- V 15 N : standard valve, M10 x 150.
- V 15 F : stainless steel valve, M10 x 150.

Schrader valve

Schrader valves can be mounted on LEDUC accumulators.



Charging kit

Reference : CGLU 4F/D* 066650

CGLU 4F : includes hose adapter for use on French nitrogen bottles.

*CGLU 4D : German (European) version, available on request, includes hose adapter for use on German nitrogen bottles.

The charging kit comprises :

- VGL 4 universal pressure charging and gauging device (M28 x 1.50 outlet)
- two pressure gauge kits : 0 to 25 bar and 0 to 250 bar, additional manometers on request (0-100; 0-400)
- adapters for connection to charging valves (5/8" - G3/4" - 7/8" - 8V1)
- 2.50 m-long hose, for connection to a source of nitrogen, standard version for pressures up to 400 bar. For higher pressures, please contact our Technical Sales Department
- 6 mm A/F Allen wrench
- spare seal kit.



Charging and gauging device

Reference : VGL 4 066660

Description

The VGL 4 charging and gauging device is the essential instrument to check nitrogen filling pressure and to reduce nitrogen pre-charge pressure of accumulators, up to maximum working pressure of 400 bar.

Technical characteristics

Maximum pressure	: 400 bar
Accumulator connection	: 5/8" 18UNF - G3/4" - M28 x 1.50 (7/8" 14 UNF - 8 V1 with CGLU 4)
Pressure gauges	: 63 mm diameter (glycerin-bath type) with G1/4" Cyl. rear outlet, fitted with a direct-connection to a rapid connector. Scale 0 to 400 bar (or other on request) with accuracy of 1.6.

