



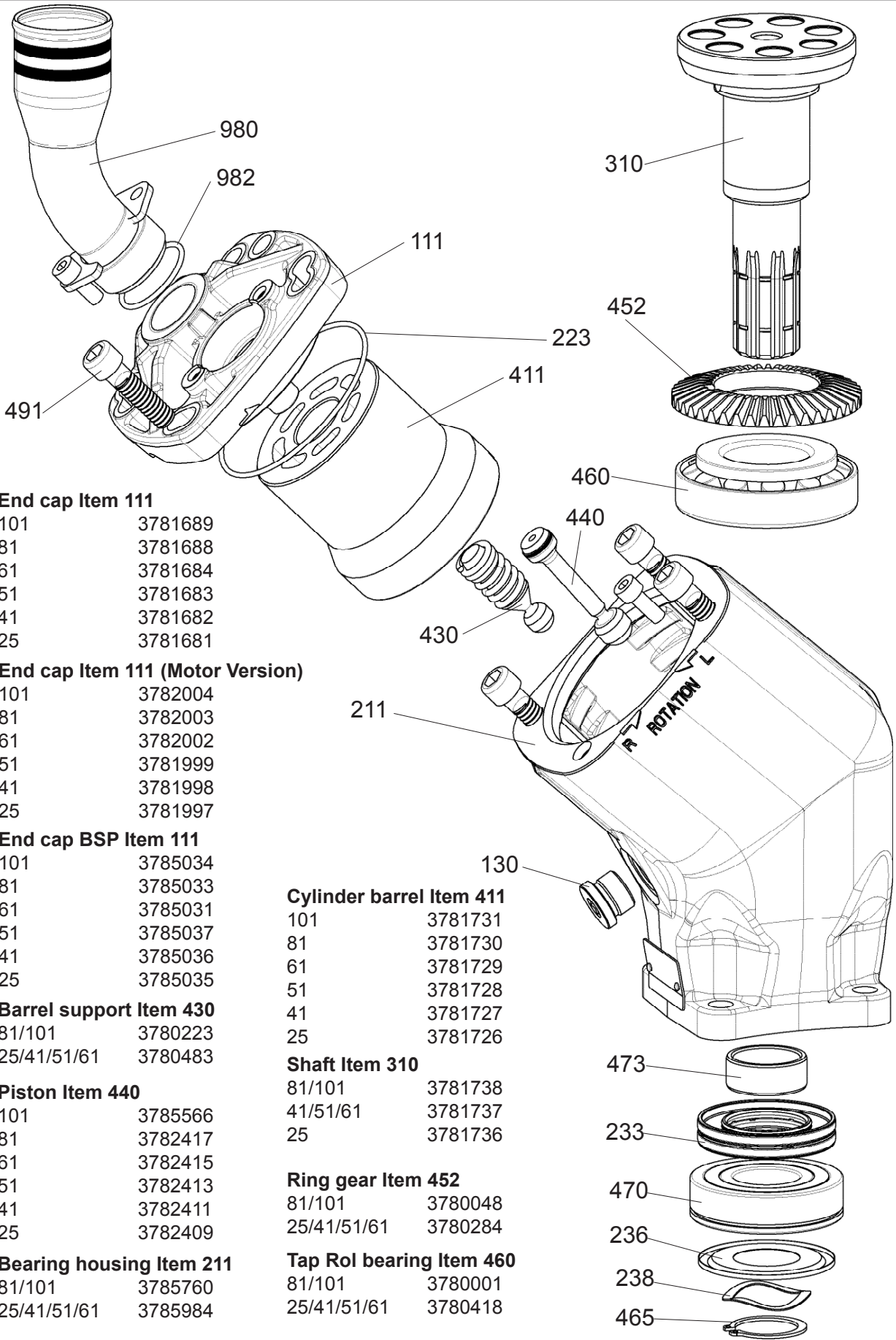
Bulletin HY30-5512-M1/UK/SE

# Spare Parts Series F1/T1/BPV

Effective: December, 2016  
Supersedes: July, 2013

---





**End cap Item 111**

101	3781689
81	3781688
61	3781684
51	3781683
41	3781682
25	3781681

**End cap Item 111 (Motor Version)**

101	3782004
81	3782003
61	3782002
51	3781999
41	3781998
25	3781997

**End cap BSP Item 111**

101	3785034
81	3785033
61	3785031
51	3785037
41	3785036
25	3785035

**Barrel support Item 430**

81/101	3780223
25/41/51/61	3780483

**Piston Item 440**

101	3785566
81	3782417
61	3782415
51	3782413
41	3782411
25	3782409

**Bearing housing Item 211**

81/101	3785760
25/41/51/61	3785984

**Cylinder barrel Item 411**

101	3781731
81	3781730
61	3781729
51	3781728
41	3781727
25	3781726

**Shaft Item 310**

81/101	3781738
41/51/61	3781737
25	3781736

**Ring gear Item 452**

81/101	3780048
25/41/51/61	3780284

**Tap Rol bearing Item 460**

81/101	3780001
25/41/51/61	3780418

## T1-081-R 3782180, T1-081-L 3782181

Item	Part No	Title	Benämning	Qty	Remarks
111	3783388	END CAP ASSY	ANSLUTNINGSTOPP KPL	1	
130	3785227	HEX SOCKET PLUG R1/2	INSEXPLOPP R1/2	1	Repl. 3780933
211	3785984	BEARING HOUSING ASSY	LAGERHUS KPL	1	
223	3781742	O-RING	O-RING	1	
233	3783000	SHAFT SEAL 40*62*6	TÄTNINGSRING 40*62*6	1	
310	3781737	SHAFT ASSY	AXEL KPL	1	
411	3781985	CYLINDER BARREL	CYLINDERTRUMMA	1	
430	3780483	BARREL SUPPORT	TRUMSTÖD	1	
440	3782421	PISTON ASSY	KOLV KPL	5	
452	3780284	RING GEAR	KUGGKRANS	1	
460	3780418	TAP ROL BEARING 31307	KON RULLAGER 31307	1	
491	3782191	HEX S SCR M12*45 10.9	INS SKRUV M12*45 10.9	4	

Piston ring kit see SI 08/02

## T1-121-R 3782120, T1-121-L 3782121

Item	Part No	Title	Benämning	Qty	Remarks
111	3781968	END CAP ASSY	ANSLUTNINGSTOPP KPL	1	
130	3785227	HEX SOCKET PLUG R1/2	INSEXPLOPP R1/2	1	Repl. 3780933
211	3785760	BEARING HOUSING ASSY	LAGERHUS KPL	1	
223	3781743	O-RING	O-RING	1	
233	3783000	SHAFT SEAL 40*62*6	TÄTNINGSRING 40*62*6	1	
310	3781738	SHAFT ASSY	AXEL KPL	1	
411	3781986	CYLINDER BARREL	CYLINDERTRUMMA	1	
430	3780223	BARREL SUPPORT	TRUMSTÖD	1	
440	3782423	PISTON ASSY	KOLV KPL	7	
452	3780048	RING GEAR	KUGGKRANS	1	
460	3780001	TAP ROL BEARING 31307	KON RULLAGER 31307	1	
491	3782191	HEX S SCR M12*45 10.9	INS SKRUV M12*45 10.9	4	

Piston ring kit see SI 08/02

## Spare Part Kits and Tools

Serial No. from 2000200001  
Items included in the seal kit for **double** shaft seal.  
130, 223, 233, 236, 238,  
465, 470, 473, 982.

Unit	Part no.
F1-25, -41, -51, -61, -81, -101, T1-81, -121	3780862

Items included in the Spare Part Kits for the 5 & 7-piston version.  
111, 130, 223, 233, 236, 238, 411,  
430, 440, 465, 470, 473, 982.

Unit	Part no.
F1-25	3781844
F1-41	3781845
F1-51	3781846
F1-61	3781847
F1-81	3781848
F1-101	3781849

Items included in the Spare Part Kits for T1.  
111, 130, 223, 233, 236, 238, 411,  
430, 440, 465, 470, 473, 982.

Unit	Part no.
T1-81	3782807
T1-121	3782808

Detail	Part no.
Disassembling/ Reassembling Tool	3780917

Detail	Part no.
Kit with retaining ring, waved washer, protective washer and instruction	3781725

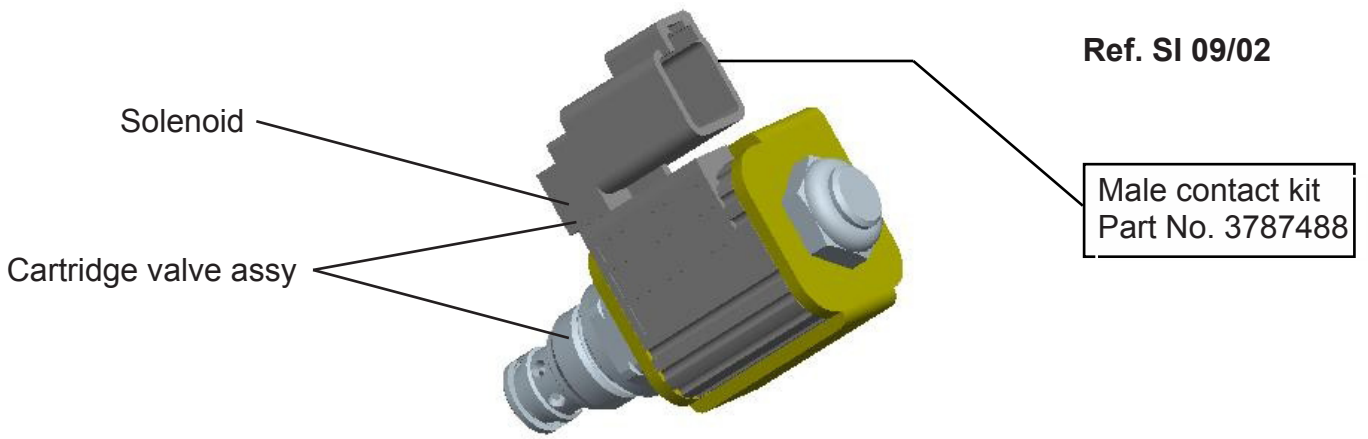
### Parts Specification

<u>Item</u>	<u>Description</u>
111	End Cap
130	Hex Socket Plug
211	Bearing Housing
223	O-ring
227	O-ring
228	Gasket
233	Shaft Seal
236	Protective Washer
238	Waved Spring Washer
241	Gasket
310	Shaft
411	Cylinder Barrel
430	Barrel Support
440	Piston
452	Ring Gear
460	Tapped Roller Bearing
465	Retaining Ring
470	Roller Bearing
473	Inner Ring
491	Hex Socket Screw
980	Suction Fitting
982	O-ring

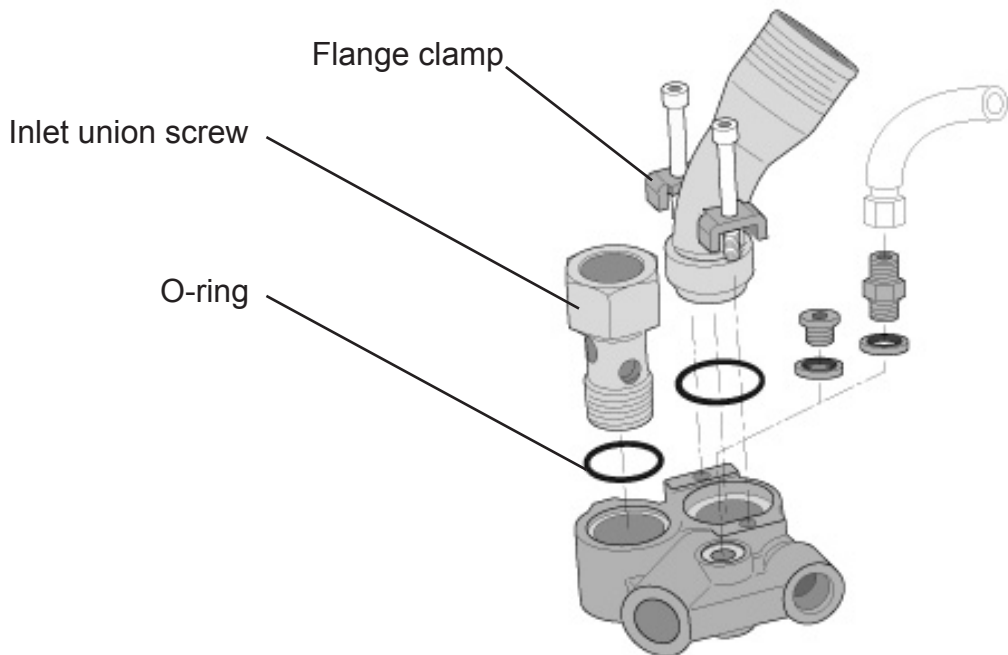
Exchange Units

Unit	Part no.
F1-25	3780856
F1-41	3780857
F1-51	3780858
F1-61	3780859
F1-81	3780860
F1-101	3780861

**Note!** Not on all markets.



Part No	Description	Remarks
3787496	Solenoid 24V	Incl. new connector
3787497	Solenoid 12V	Incl. new connector
3787494	Cartridge valve assy 24V	
3787495	Cartridge valve assy 12V	
3785948	Nut for cartridge valve	



Part No	Description	Remarks
3781480	Inlet union screw	F2 (all sizes)
3781082	Inlet union screw	F1-25, -41, -51, -61
3781094	Inlet union screw	F1-81, -101
3780641	O-ring kit	For both F1 and F2 (all sizes)
3782439	Flange clamp kit	For BPV F1 and F2



**Parker Hannifin**  
Pump and Motor Division  
Flygmotorvägen 2  
SE-461 82 Trollhättan  
Sweden  
Tel: +46 (0)520 40 45 00  
Fax: +46 (0)520 371 05  
[www.parker.com](http://www.parker.com)