



432 SERIES V3RH

3-WAY VALVE: F – F – H
CARBON STEEL
BSP / NPTF / ISO 11926 (J1926)

Thread combinations available on request and minimum quantity..

TECHNICAL FEATURES

Operating pressure:	Up to 500 Bar	
Materials:	Body:	Carbon Steel EN 10277-3
	O-rings:	NBR / VITON / EPDM
	Seating Ball:	Polyamide 6
	Handle:	Zamak – 5
Sistema de Cierre:	Type L 90° / Type T 90° / Type T 180°	
Available Threads:	BSP / NPTF / ISO 11926 (J1926)	
Anchoring System:	Mounting H	
Applications:	Designed for oil hydraulic (Group II- 2014/68/EU)	
Interchange:	PISTER BK3 / MHA BK3 / HYDAC KHB3K	

Available Sizes: 1/4" a 1"

Working Temperature (O-rings)

	NBR	Viton	EPDM
+	+100°C	+200°C	+150°C
-	-30°C	-10°C	-40°C

Sectors: Industrial / Agricultural

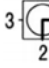

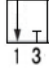
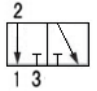
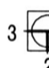

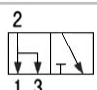
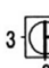


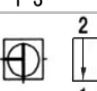


MODEL STRUCTURE

Example:

432.1113 AD

Series	Material	Mounting H.	O-rings	Size (S)	Thread
432. L 90°	1 Carbon St.	0 No	1 NBR	1 6	1/4" 2 letters as per
434. T 90°		1 Yes	2 VITON	2 10	3/8" Table of
436. T 180°			3 EPDM	3 13	1/2" Threads
				4 20	3/4"
				5 25	1"

Type Closing L 90°	3  1  	2 
Type Closing T 90°	3  1 	2 
Type Closing T 180°	3  1  	2 

Attention: Pressure connections should always be made through the central port (2)

432-1

INTEVA reserves the right to make modifications to its products without prior notice. Any external or internal alterations to our products will automatically void the warranty.

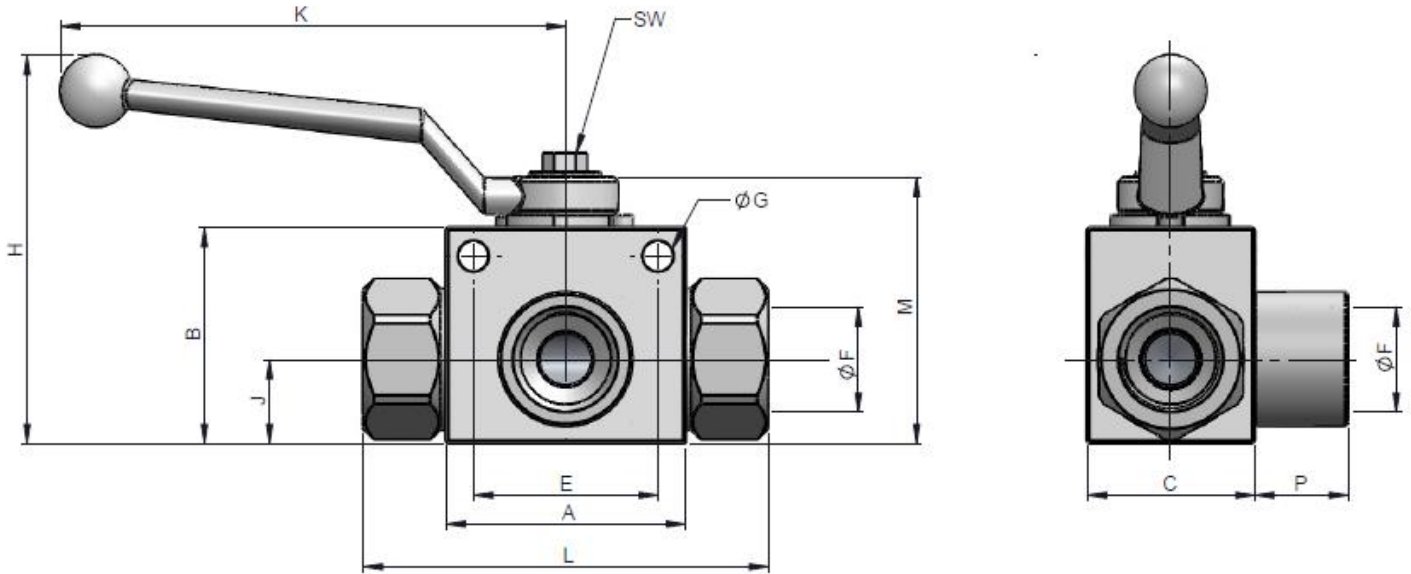





432 SERIES

V3RH

3-WAY VALVE: F – F – F
 CARBON STEEL
 BSP / NPTF / ISO 11926 (J1926)



(S)	D / F	With M.H.	Without M.H.		CH1	L	A	B	M	K	H	J	C	SW	Ø G	E	P
6	1/4" BSP	432.1111AB	432.1011AB	500	22	72.50	40	35	45.50	105.50	71	13	26	9	4.50	320	16
	1/4" NPTF	432.1111BB	432.1011BB														13
	7/16" - 20h UNF(ORB)	432.1111GA	432.1011GA														14
10	3/8" BSP	432.1112AC	432.1012AC	500	27	75.50	45	40	50.50	105.50	76	16	32	9	5.20	320	15
	3/8" NPTF	432.1112BC	432.1012BC														16
	9/16" - 18h UNF(ORB)	432.1112GC	432.1012GC														16
13	1/2" BSP	432.1113AD	432.1013AD	500	30	84.50	50	45	55.50	105.50	81	17.50	35	9	6.50	38.50	19.50
	1/2" NPTF	432.1113BD	432.1013BD														
	3/4" - 16h UNF(ORB)	432.1113GF	432.1013GF														
20	3/4" BSP	432.1114AE	432.1014AE	400	41	93.50	60	60	73	159.50	108	23	50	14	6.50	48.50	19
	3/4" NPTF	432.1114BE	432.1014BE														21
	1 1/16" - 12h UN(ORB)	432.1114GK	432.1014GK														
25	1" BSP	432.1115AF	432.1015AF	350	46	114.50	65	65	80	159.50	115	27.50	57	14	8.50	50.50	25
	1" NPTF	432.1115BF	432.1015BF														25
	1 1/4" BSP	432.1115AG	432.1015AG														31
	1 1/4" NPTF	432.1115BG	432.1015BG														25
	1 1/2" BSP	432.1115AH	432.1015AH														32
	1 1/2" NPTF	432.1115BH	432.1015BH														25
	1 5/16" - 12h UN(ORB)	432.1115GO	432.1015GO														25