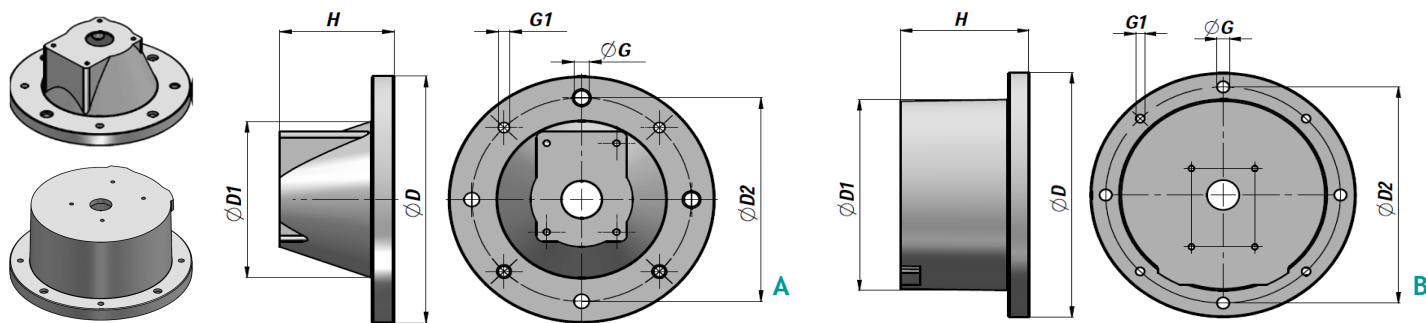


HL

NEW!

LANTERNA PER MOTORE ELETTRICO
BELL-HOUSING TO CONNECT ELECTRIC MOTOR



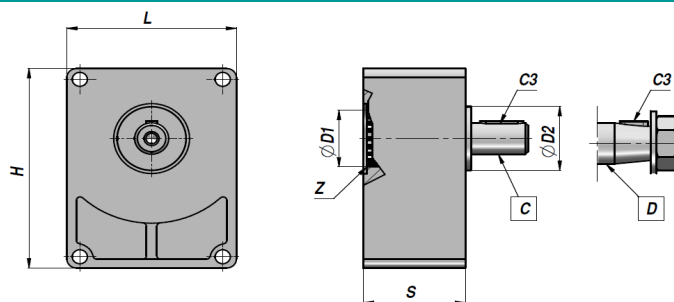
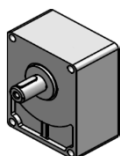
Codice Code	Tipo Type	Disegno Drawing	ØD	Motore Elettrico Electric Motor kW	Pompa Pump	ØD1	H	ØG	G1	ØD2	kg
AHN30100200	HL2 - LMG160MFS1004S	A	160	0.27 - 0.37	GR.1	110	70	9.0	M8	130	0,40
AHN30202800	HL5L - LMG200MFS1004S	A	200	0.55 - 0.75 - 1.1 - 1.5	GR.1	135	87	11.0	M10	165	0,61
AHN30203500	HL7SL - LMG201MFS2004S	A	200	"	GR.2/2T	135	95	11.0	M10	165	0,73
AHN30302500	HL8/1L - LMG250MFS1004S	A	250	2.2 - 3 - 4	GR.1	185	106	14.0	M12	215	1,50
AHN30302600	HL9L - LMG250MFS2004S	A	250	"	GR.2/2T	185	106	14.0	M12	215	1,20
AHN15050005	HL11 - LMG251MFS3M04E	A	250	"	GR.3	190	126	14.0	M12	215	1,34
AHN30400800	HL12 - LMG300MFS2004S	B	300	5.5 - 7.5	GR.2/2T	235	145	14.0	M12	265	2,42
AHN30400900	HL13 - LMG300MFS3M04S	B	300	"	GR.3	235	145	14.0	M12	265	2,52
AHN15000001	HL15 - LMG351MFS2004S	B	350	11 - 15	GR.2/2T	254	178	18.0	M16	300	4,45
AHN30509200	HL16 - LMG351MFS3M04S	B	350	11 - 15 - 18.5 - 22	GR.3	254	178	18.0	M16	300	4,50

MATERIALE : ALLUMINIO

MATERIAL : ALUMINIUM

STSU

SUPPORTO TIROCINGHIA
BELT PULLEY SUPPORT



Codice Code	Tipo Type	Pompa Pump	ØD1	Z DIN 5482	ØD2	Albero Shaft	C3	L	H	S	kg
BU12010002	STSU/1 - C	GR.1	25,4	Z14 - 25x22	50,8	C = ø18	6x6x25	75.0	93.0	40.0	0.80
BU12020001	STSU/2 - C	GR.2	36,5	Z14 - 25x22	36,5	C = ø18	6x6x30	89.4	114.0	54.5	1.40
BU12020007	STSUR/2 - C	GR.2	36,5	Z15 - 28x25	50,8	C = ø22	6x6x40	89.4	114.0	52.0	1,75
BU12030001	STSU/3 - C	GR.3	50,8	Z18 - 35x31	50,8	C = ø24	8x7x40	123.5	153.2	52.0	2.20
BU12010001	STSU/1 - D	GR.1	25,4	Z14 - 25x22	50,8	D = Conico Tapered 1:8	4 x 6,5	75.0	93.0	40.0	0.80
BU12020004	STSU/2 - D	GR.2	36,5	Z14 - 25x22	36,5		4 x 6,5	89,4	114.0	54.5	1.40
BU12020008	STSUR/2 - D	GR.2	36,5	Z15 - 28x25	50,8		4 x 6,5	89,4	114.0	52.0	1.75
BU12030002	STSU/3 - D	GR.3	50,8	Z18 - 35x31	50,8		4 x 7,5	123.5	153.2	52.0	2.20

MATERIALE CORPO : ALLUMINIO

BODY MATERIAL : ALUMINIUM