

COMBINED GROUP

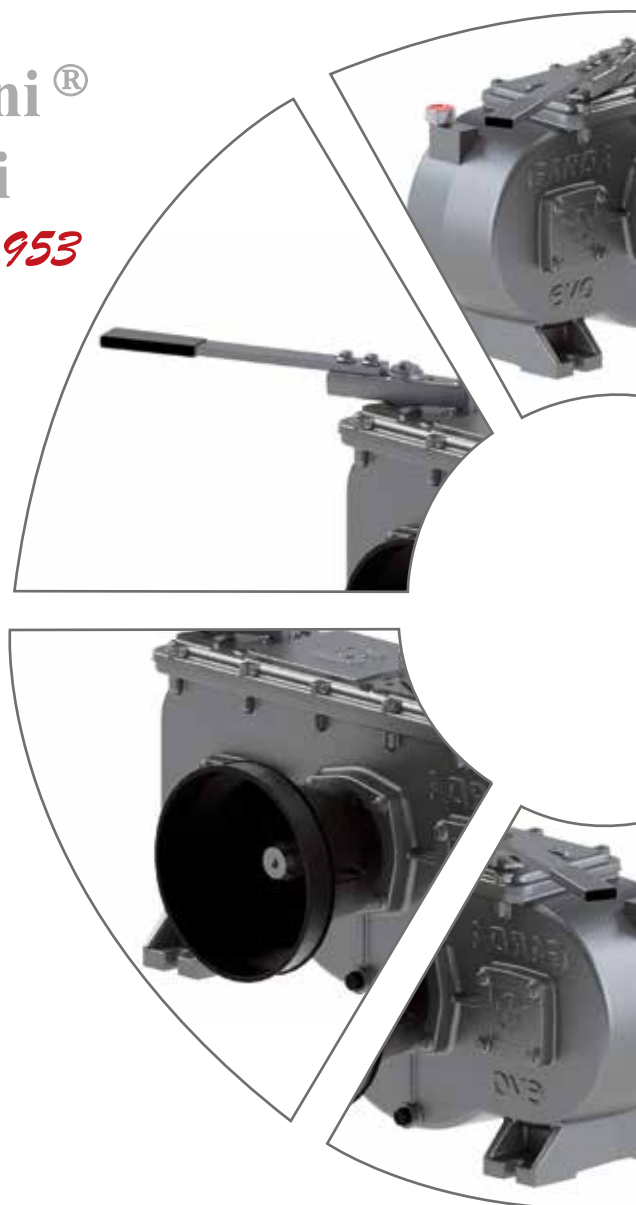
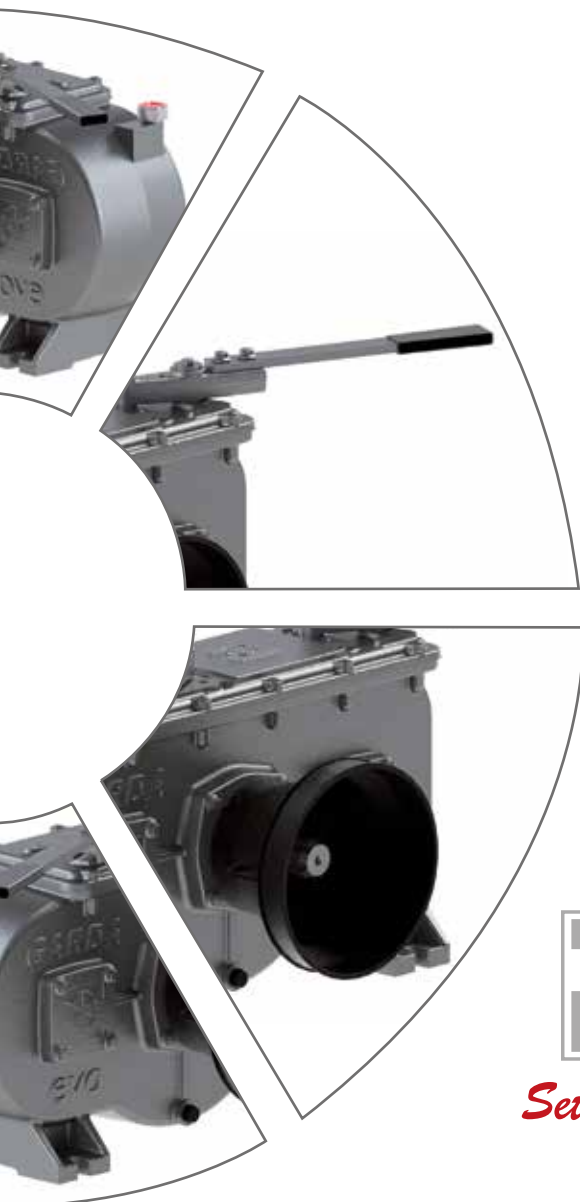
GARDA EVO - GARDA - ELBA

Technical catalogue
Catalogo tecnico
Technischer Katalog



Battioni®
Pagani

Setting the pace since 1953





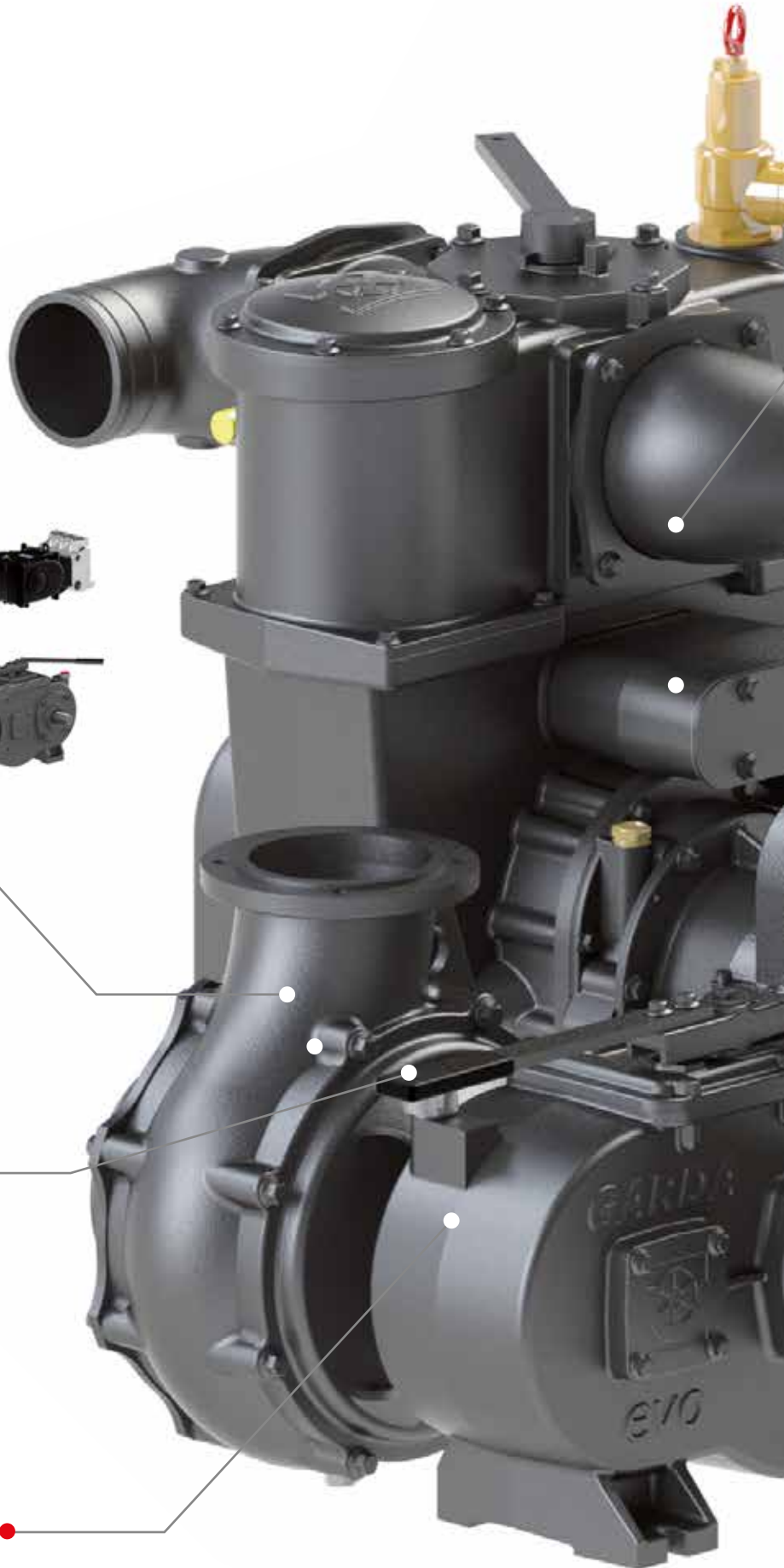
**Battioni®
Pagani**

Setting the pace since 1953

Exit A: centrifuge pump / high pressure pump / outlet splined shaft

Uscita A: Pompa centrifuga / Pompa alta pressione / Albero calettato in uscita

Ausgang A: Zentrifugalpumpe / Hochdruckpumpe / Kardanwelle am Ausgang



Two levers for alternated and combined use of EXIT A and EXIT B

Due leve per utilizzo alternato o combinato in uscita A e uscita B

Zwei Hebel, für alternative oder kombinierte verwendung im Ausgang A und Ausgang B

GARDA EVO Gearbox
Cambio GARDA EVO
Getriebegehäuse

COMBINED GROUPS

GARDA EVO - GARDA - ELBA



● **Exit B: exhauster / compressor / high pressure pump / outlet splined shaft**
 Uscita B: Aspiratore / Compressore / Pompa alta pressione / Albero calettato in uscita
 Ausgang B: Absauger / Kompressor / Hochdruckpumpe / Kardanwelle am Ausgang



● **Selection lever for exhauster/ compressor or second equipment**

Leva di selezione per Aspiratore / Compressore o seconda applicazione
 Hebel für die Wahl zwischen dem Absauger/ Kompressor oder der zweiten Ausstattung

● **Hydraulic oil pump continuously engaged to the driving shaft Gr.2 or Gr.3**

Pompa idraulica G.2 o G.3 sempre inserita
 Hydraulikpumpe G.2 oder G.3 immer eingeschaltet

● **Power take off**

Presenza di forza
 Zapfwelle

VERSIONS



GARDA EVO - D



GARDA EVO - P



GARDA EVO - H

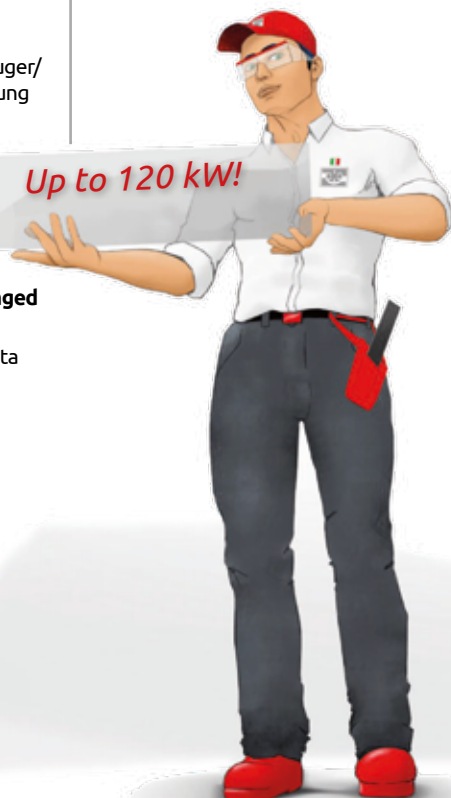


ELBA



GARDA

Up to 120 kW!



Combined Group -
Centrifugal Pump

The picture is only for informative purpose.
 See the table on page 89 for the complete list of the available optionals.



COMBINED GROUPS

GARDA EVO



Battioni®
Pagani

Setting the pace since 1953

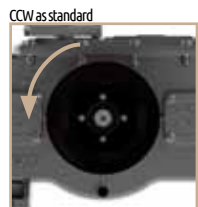
Garda Evo is a combined group that drives two outputs (rotary blade pumps, blowers, centrifugal pumps, high pressure pumps and rotating shafts) either alternated (1 lever version) or in the same time (2 levers version).



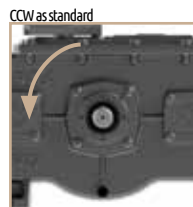
STANDARD FEATURES

- PTO 1000 Rpm

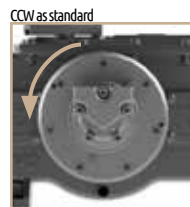
VERSIONS



Version D
Splined shaft
1 3/4 - Z6 ISO 500



Version P
Smooth Cylindrical shaft, Ø 40,
length 79 mm Parallel key UNI 6604



Version H
129 cc/rev - Pmax 400 bar - In G 1" - Out G 1"
240 cc/rev - Pmax 350 bar - In G 1" - Out G 1"

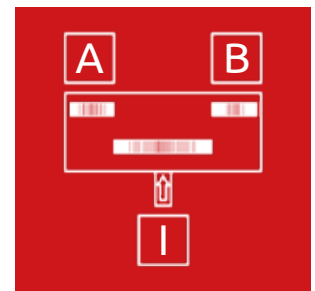
Not available with high pressure pumps
with 1500-2300 rpm

HOW TO CHOOSE YOUR CORRECT VERSION IN 3 STEPS

1° DEFINE PTO. Available options are:

- | | |
|-----------|---|
| D | Splined shaft 1 3/4 - Z6 ISO 500 - 1 lever |
| DT | Splined shaft 1 3/4 - Z6 ISO 500 - 2 levers |
| DK | Splined shaft 1 3/4 - Z6 ISO 500 - 1 lever and hydraulic pump |
| P | smooth cylindrical shaft Ø40, length 79 mm, Parallel key UNI 6604 - 1 lever |
| PT | smooth cylindrical shaft Ø40, length 79 mm, Parallel key UNI 6604 - 2 levers |
| PK | smooth cylindrical shaft Ø40, length 79 mm, Parallel key UNI 6604 - 1 lever and hydraulic pump |
| H | hydraulic motor 129cc/rev-Pmax 400bar-In 1"G-Out 1"G - 1 lever |
| HT | hydraulic motor 240cc/rev-Pmax 350bar-In 1"G-Out 1"G - 2 levers |
| HK | hydraulic motor 129cc/rev-Pmax 400bar-In 1"G-Out 1"G - 1 lever and hydraulic pump |

GARDA EVO EXITS



GARDA EVO PTO

2° DEFINE EXIT A. Available options are:

- | | |
|--------------|--|
| CENTR | CENTRIFUGAL PUMPS (See details on page 62) |
| GK | ROTATING SHAFT (See details on page 63) |
| JET | HIGH PRESSURE PUMP. 2 LEVERS ONLY (See details on page 64) |

3° DEFINE EXIT B. Available options on pages 62-63-64, depending on your choice in step 2.

OPTIONALS FOR ALL VERSION



Hydraulic Changeover
central lever Code 5090000019
lateral lever Code 5090000107



Pneumatic Changeover
central lever Code 6080200300
lateral lever Code 6080200301



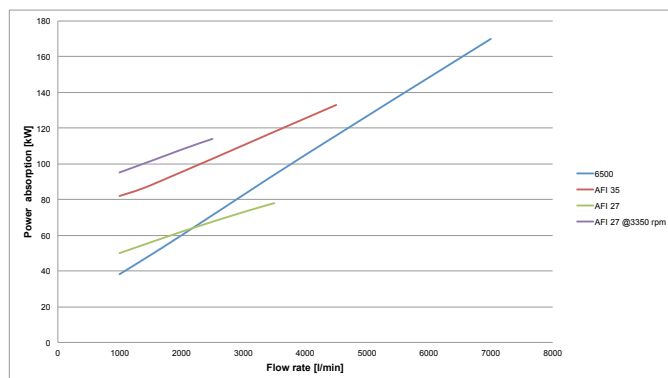
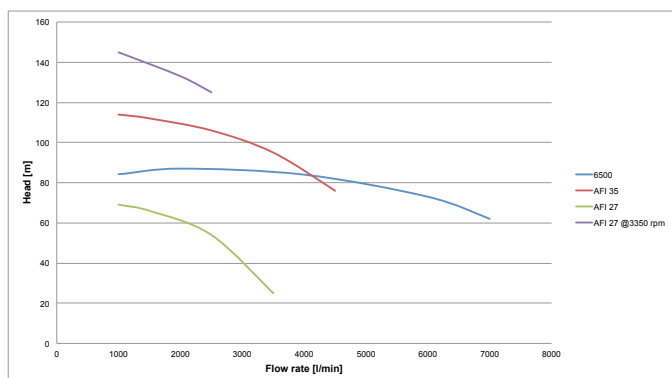
Pump ("K" after input letter)
available only for 1 lever version and centrifugal pumps, vacuum pumps and direct shafts rotating at 2380 rpm.
Pump version is KP 30.27
Hydraulic Changeover not available



EXIT A: CENTRIFUGAL PUMPS ("CENTR")

TECHNICAL DATA FOR AVAILABLE OPTIONS

	Geometrical capacity				PTO Speed (r/min)	Pump Speed (r/min)	Max abs pressure		Power		Weight (kg)
	m³/h	l/min	US gpm	cfm			Bar	PSI	kW	hp	
CENTRIFUGE DODA AFI-27	210	3500	924,6	123	1000	2300	6,5	94	70	94	153
CENTRIFUGE DODA AFI-27 HS	132	2200	581	77	1000	3350	14	202	105	141	153
CENTRIFUGE DODA AFI-35	270	4500	1188,8	159	1000	2300	11	160	130	174	165
CENTRIFUGE GARDA 6500	390	6500	1717	229	1000	2400	7	101	60	80,4	132



Garda-Evo with centrifugal pumps CENTR can be equipped with 1 or 2 levers on the top cover of the gearbox.

Garda-Evo CENTR with 1 lever available options for exit B are the following:

CENTR /D /P /H	C6500	AFI27	AFI27 HIGH SPEED	AFI35
EXIT B options:				
MEC 9000-11000-13500	●	●	●	●
BALLAST	●	●	●	●
STAR	●	●	●	-
WPT	●	●	●	●
KPS	●	●	●	●
KTS	●	-	-	-
AIDA	●	●	-	●
D540-D800-D1000-D1500-D2380	●	●	-	●
P540-P800-P1000-P1500-P2380	●	●	-	●
High Pressure Pump (see list on page 132)	●	●	-	●

● As standard

- Not available

Garda-Evo CENTR with 2 levers or Garda-Evo CENTR with 1 lever and hydraulic pump available options for exit B are the following:

CENTR /DT /PT /HT /DK /PK /HK	C6500	AFI27	AFI27 HIGH SPEED	AFI35
EXIT B options:				
MEC 9000-11000-13500	●	●	●	●
BALLAST	●	●	●	●
STAR	●	●	●	-
WPT	●	●	●	●
KPS	●	●	●	●
KTS	●	-	-	-
D2380	●	●	-	●
P2380	●	●	-	●

● As standard

- Not available

OPTIONALS FOR CENTRIFUGAL PUMPS VERSIONS



Cutting device
C6500
AFI 27
AFI 35



C6500
Ø 140 mm scroll



COMBINED GROUPS

GARDA EVO

EXIT A: ROTATING SHAFT ("GK")

Available options are:

D540rpm-D800rpm-D1000rpm-D1500rpm-D2380rpm

- D** Splined shaft 1"3/4-Z6 ISO 500 - **1 lever**
- DT** Splined shaft 1"3/4-Z6 ISO 500 - **2 levers**
- DK** Splined shaft 1"3/4-Z6 ISO 500 - **1 lever and hydraulic pump**



P540rpm-P800rpm-P1000rpm-P1500rpm-P2380rpm

- P** smooth cylindrical shaft Ø40, length 79 mm, Parallel key UNI 6604 - **1 lever**
- PT** smooth cylindrical shaft Ø40, length 79 mm, Parallel key UNI 6604 - **2 levers**
- PK** smooth cylindrical shaft Ø40, length 79 mm, Parallel key UNI 6604 - **1 lever and hydraulic pump**

Garda-Evo with rotating shaft GK are all with 2 levers on the top cover of the gearbox or 1 lever with hydraulic pump.

Garda-Evo GK with 2 levers available options for exit B are the following:

GK /DT /PT /HT	D540-D800-D1000-D1500	P540-P800-P1000-P1500
EXIT B options:		
MEC 9000-11000-13500	●	●
BALLAST	●	●
STAR	●	●
WPT	●	●
KPS	●	●
KTS	●	●
D540-D800-D1000-D1500-D2380	●	●
P540-P800-P1000-P1500-P2380	●	●

● As standard

- Not available

Garda-Evo with 1 lever and hydraulic pump available options for exit B are the following:

GK /DK /PK /HK	D2380	P2380
EXIT B options:		
MEC 9000-11000-13500	●	●
BALLAST	●	●
STAR	●	●
WPT	●	●
KPS	●	●
KTS	●	●
D2380	●	●
P2380	●	●

● As standard

- Not available



EXIT A: HIGH PRESSURE PUMP (“JET”)

Available high pressure pump ordered for rpm are:

800 rpm:

Pratissoli KF 40

HPP EL 128/120 – EL152/100 – ELS 162/110 – GL 109/290 –
GL 135/235 – GL 171/185 – GL 212/150 – GL 256/125

1000 rpm:

Pratissoli KF 28 – KF30 – KF30 – KF36 – KT18 – KT20 – KT22 –
KT24 – KT28 – KT30 – KT32 – KT36

HPP EL 84/190 - EL 102/160 - EL 122/130

1500 rpm:

Pratissoli KT18 – KT20 – KT22 – KT24 – KT28 – KT30 – KT32 – KT36

Annovi Reverberi RTX 100.120



For technical data please ref. at page 132.

Garda-Evo with high pressure pump JET are all with 2 levers on the top cover of the gearbox.

Garda-Evo JET with 2 levers available options for exit B are the following:

JET /DT /PT /HT	High Pressure Pump
EXIT B options:	
MEC 9000-11000-13500	●
BALLAST	●
STAR	●
WPT	●
KPS	●
KTS	●
D540-D800-D1000-D1500-D2380	●
P540-P800-P1000-P1500-P2380	●

● As standard

- Not available



COMBINED GROUPS

GARDA



**Battioni®
Pagani**

Setting the pace since 1953

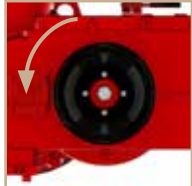
GARDA

The GARDA group is composed of an exhauster/compressor used to fill agricultural tanks and of a centrifuge pump used for sewage spreading.



VERSIONS

CCW as standard



Version D

Splined shaft
1 3/8 - Z6 ISO 500

AVAILABLE VERSIONS

		EXIT A	
		CENTRIFUGAL PUMP 3500	CENTRIFUGAL PUMP 6500
EXIT B	MEC 2000 - 3000 - 4000	●	●
	MEC 5000 - 6500 - 8000	●	●
	STAR 60 - 72 - 84	●	●
	MEC II 9000 - 11000 - 13500	●	●
	BALLAST 3500 - 4500 - 6000 - 7500	●	●
	BALLAST 9000 - 11000 - 13500	-	●
	BALLAST 16000	-	●
	WPT 480 - 600 - 720	-	●
OPTIONALS	MECHANICAL SEAL	●	●
	PRESHAPED RINGS	○	○
	Ø 140 SCROLL	-	○
	CUTTING DEVICE	-	○
	HYDRAULIC CHANGEOVER	○	○
	PNEUMATIC CHANGEOVER	-	-
	TURBO VERSION	-	-
	INPUT 1000 RPM	-	○

● As standard

○ On request

- Not available

OPTIONALS



**Cutting device
GARDA 6500**



**1000 Rpm
GARDA 6500**



**Ø 140 mm scroll
GARDA 6500**



**Hydraulic
Changeover
Code 5090000011**

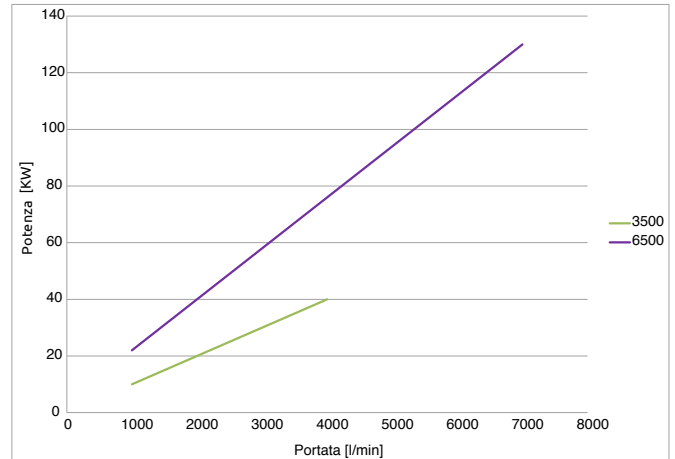
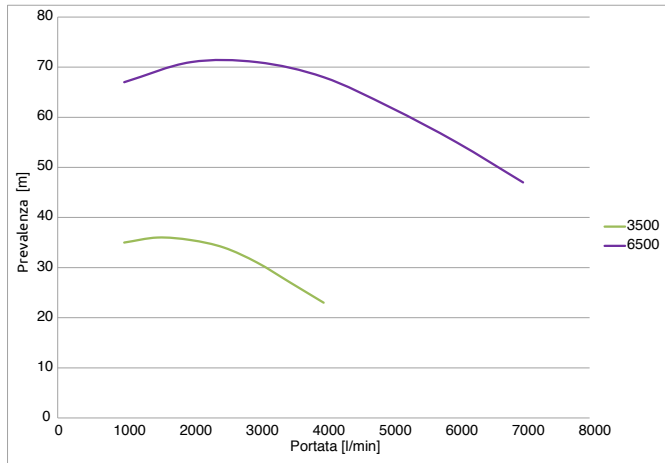


**Preshaped Ring
GARDA 3500
GARDA 6500**



TECHNICAL DATA

	centrifugal pump max flow rate			Max rpm	Speed work on request rpm	Head m	Power max kW (HP)	Weight kg
	m³/h	l/min	cfm					
GARDA 3500	210	3500	123	540	-	38	24 (32,2)	104
GARDA 6500	390	6500	229	540	1000	70	60 (80,4)	132



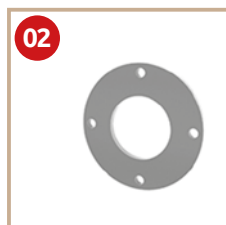
ACCESSORIES



Tank with swivel gun and Garda pump



Rubber coupling joint
pag. 104
Code 5060010004 - Ø150
Code 5060010002 - Ø200



Coupling Flange
pag. 88
Code 5010401009
GARDA 3500
Code 5010401008
GARDA 6500



ELBA – The Perfect Combination

The ELBA pump series is made up by combining a gearbox and a centrifugal pump.

The ELBA group is utilized for farm lands irrigation, sewage spreading and umbilical systems.

STANDARD FEATURES

- Mechanical seal



VERSIONS

CCW as standard



ELBA 3500 1:4
Splined shaft
1"3/8 - Z6 ISO 500

CCW as standard



ELBA 6500 1:4
Splined shaft
1"3/8 - Z6 ISO 500

CCW as standard



ELBA 3500 1:3
Splined shaft
1"3/8 - Z6 ISO 500

CCW as standard



ELBA 6500 1:3
Splined shaft
1"3/8 - Z6 ISO 500

TECHNICAL DATA

	centrifugal pump max flow rate			Max rpm		Head m	Power at max vacuum kW (HP)	Weight kg
	m ³ /h	l/min	cfm	1:3	1:4			
ELBA 3500	210	3500	123	750	540	38	24 (32,2)	59
ELBA 6500	390	6500	229	750	540	70	60 (80,4)	90

OPTIONALS



**Cutting device
ELBA 6500**



**Heavy duty
bearings**



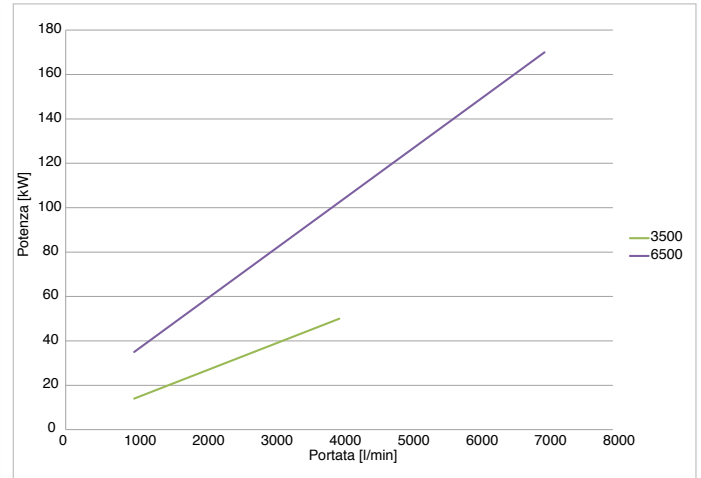
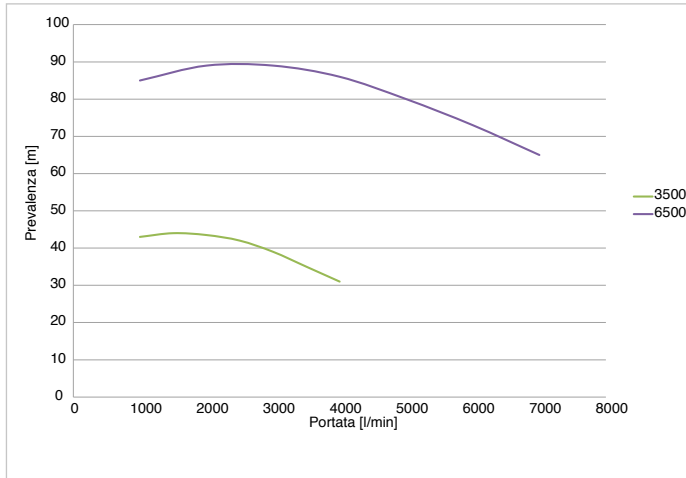
**Preshaped Ring
ELBA 3500**



**Ø 140 mm scroll
ELBA 6500**



CHARTS



ACCESSORIES

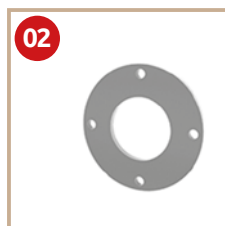


Combined Group -
Centrifugal Pump

Top filling tank and Elba pump



Rubber coupling joint
pag. 104
Code 5060010004 - Ø150
Code 5060010002 - Ø200



Coupling Flange
pag. 88
Code 5010401009
GARDA 3500
Code 5010401008
GARDA 6500



Battioni Pagani Pompe S.p.A.

Via Enzo Ferrari, 2
43058 Sorbolo (PR) - Italy

Ph. +39 0521 663203

Fax +39 0521 663206



www.bapag.it
info@bapag.it

