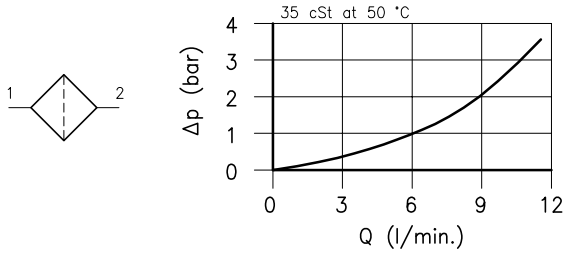


Technical features

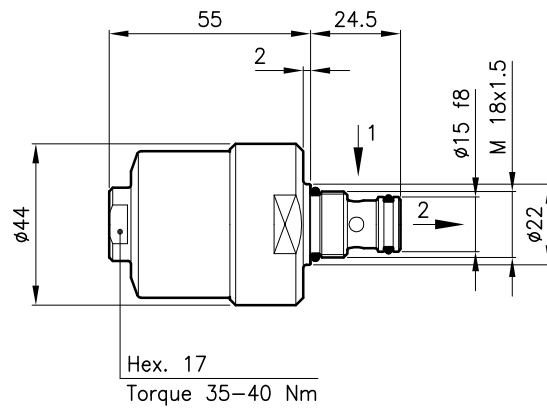
This range of filters may be used on pressure line for piloting circuits or small plants.

The special building shape allows the fitting-up inside the manifolds or inside standard bodies, with considerable benefit in costs and with overall dimensions reduction. On request they can be supplied with 25 micron filtration.



Cavity (For dimensions see catalogue 17.000)	S 20/2
Nominal flow (l/min.)	6
Max. pressure (bar)	350
Breakdown pressure (bar)	20
Nominal filtering (μm)	10
Absolute filtering (μm)	15
Fluid viscosity range (cSt)	2.8 - 380
Fluid temperature range (°C)	-20 +80
Mass (kg)	0.450
Standard seals in Buna N	

Dimensions



Ordering informations

FMP 20/05-10

FMP 20 = Filter type _____
Size _____
05 = standard _____
Nominal filtering _____
10 = 10 micron _____

Codes:
FMP 20/05-10 27 011 104
Filtering element 27 187 100

CAE 20 filters can be assembled on standard bodies 20-LO series; for dimensions see catalogue 16.010