

The emergency override system specifications are conceived to be used by way of exceptions and momentary; a continuous and lasting working is not allowed.

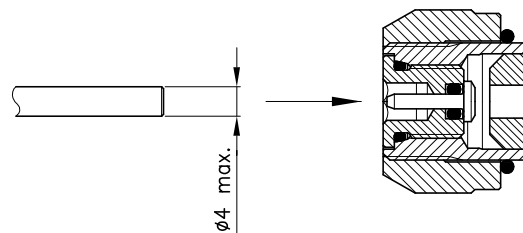
The emergency MO type, PS type and MS type can be foreseen for all ECD 20-30-50 solenoid valves circuits and for circuits 22B1 and 22C1 type (normally open) of solenoid valves EPP 30-50-70 type.

The emergency override PS type and MS type can be assembled also in a second time on solenoid valves which are already prepared in advance with override MO type.

EMERGENCY OVERRIDE MO TYPE

(20-MO 25 011 145)

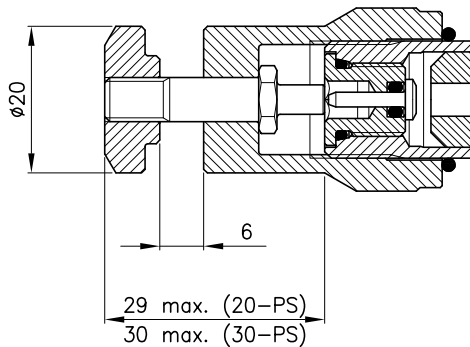
(30-MO 35 011 144)



EMERGENCY OVERRIDE PS TYPE

(20-PS 25 011 174)

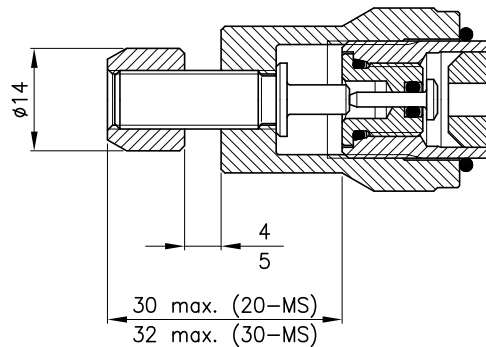
(30-PS 35 011 161)



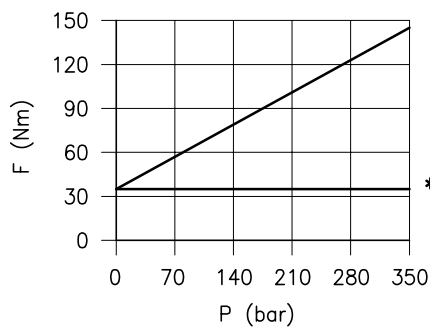
EMERGENCY OVERRIDE MS TYPE

(20-MS 25 011 167)

(30-MS 35 011 195)



WORKING SPECIFICATIONS



* In ECD solenoid valves, pressure in chamber 1 is uninfluential and the necessary force to make the override working is 35 Nm.