



#### Mix&Match to Get What You Need

Donaldson's Mix&Match system provides the great performance and functional advantages of custom-engineered filters with the convenience and speedy delivery of in-stock parts. Choose your options and build a filter model that exactly suits your cleanliness requirements.

#### Technical Data

- Operating pressure up to 1000 kPa (10 bar).
- Static pressure testing up to 1500 kPa (15 bar).
- Operating temperature -20 +120°C.
- Compatibility with hydraulic fluids per ISO 2943.
- Flow rate and pressure drop determined per ISO 3968 with oil kinematic viscosity 30 cSt at 40°C and density 0,875 kg/dm<sup>3</sup>.

#### Filter Elements

- Wire mesh: 60-90 micron.
- Cellulose media: 36-50 micron, reinforced with wire mesh.
- Synteq® synthetic media: 11-23 micron.
- By-pass valve setting 150 kPa (1,5 bar) per ISO 3968.
- Collapse resistance 1000 kPa (10 bar) per ISO 2941.
- Replacement element includes spring and O-ring seal.



## Components

Family	WIRE MESH				CELLULOSE MEDIA				SYNTHETIC MEDIA				CARTRIDGE CODE
	/9		/6		/3		/1		/03		XP10		
	90µm		60µm		$\beta_{50(\mu m)} \geq 1000$		$\beta_{36(\mu m)} \geq 1000$		$\beta_{23(\mu m)} \geq 1000$		$\beta_{11(\mu m)} \geq 1000$		
	RMF			RMF		RMF		RMF		RMF			
FIS20	20	P171829	20	P171832	15	P171835	15	P171838	10	P171841	10	P171844	CR20
FIS40	40	P171830	40	P171833	30	P171836	30	P171839	25	P171842	25	P171845	CR40
FIS50	40	P171830	40	P171833	30	P171836	30	P171839	25	P171842	25	P171845	CR50
FIS60	60	P171524	60	P171529	40	P171528	40	P171527	35	P171526	35	P171525	CR60
FIS100	100	P171530	100	P171535	65	P171534	65	P171533	60	P171532	60	P171531	CR100
FIS150	150	P171831	150	P171834	120	P171837	120	P171840	110	P171843	110	P171846	CR150
FIS200	200	P766606	200	P766607	150	P766608	150	P766609	130	P766610	130	P766611	CR200

**RESTYLED**  
**NEW**

RMF = Recommended Maximum Flow in liters/minute with use of standard housing.  
S= Service Clearance  
Maintain the filter outlet (ref. diameter G) well below the oil level to avoid foam formation.

## Breather Choices



Family	NO MEDIA	CELLULOSE MEDIA				REMARK
	closes of breather hole	Without pressurization		With pressurization relief setpoint at 0.4 bar		
		RMF	10µm	RMF	10µm	
FIS20, 40, 50	P766927 (plug)	150	P567392 (black)	150	not available	Breather with T.R.A.P.™ Technology
FIS60, 100, 150, 200	P766528 (black)	150	P766530 (blue)	150	P766538 (red)	Breather with T.R.A.P.™ Technology

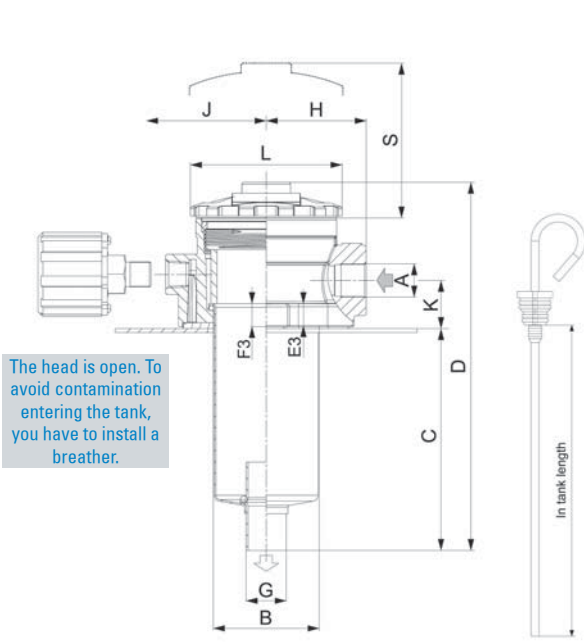
The head is open, to avoid contamination entering the tank, you have to install a breather.

## Dipstick Choices

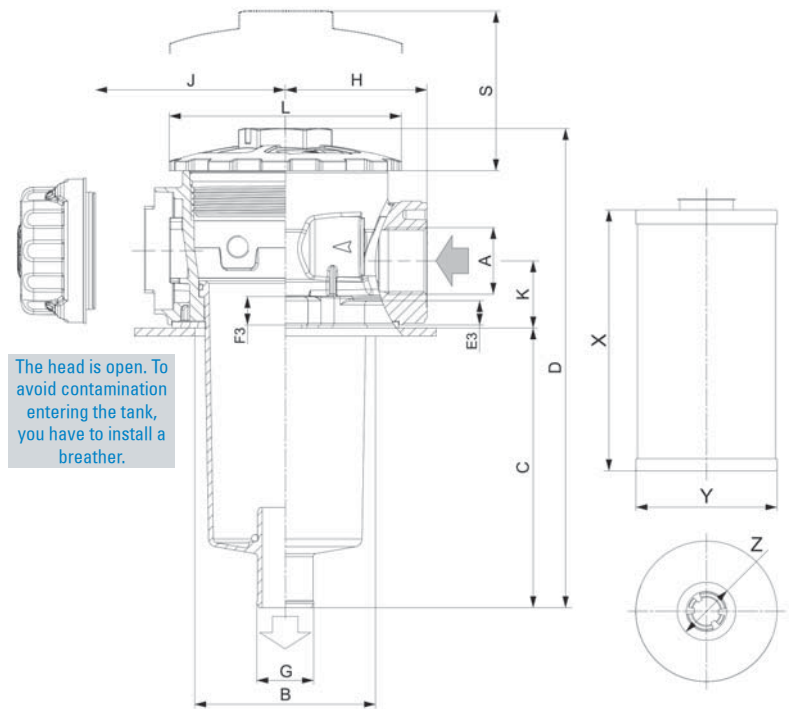


For Family	DIPSTICK	IN TANK LENGTH	USE HOLE DIAMETER
FIS20	P766623	138	M10
FIS40, 50	P766624	293	M10
FIS60, 100	P766552	150	E or F
FIS150, 200	P766621	305	E or F

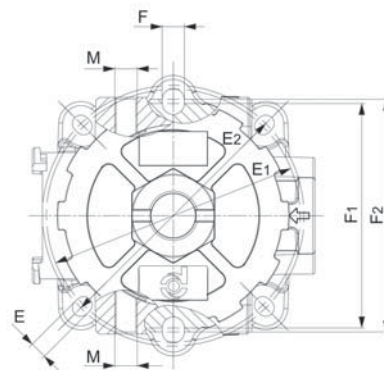
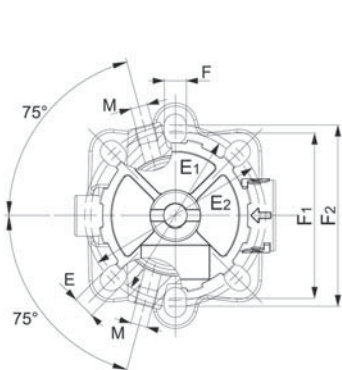
Standard Housing without Cartridge and without breather	HOUSING DIMENSIONS																		CARTRIDGE DIMENSIONS			POSSIBLE INDICATORS		
	A	B	C	D	E	E1	E2	E3	F	F1	F2	F3	G	H	J	K	L	M	N	S	X		Y	Z
		mm	mm	mm	mm	mm	mm	mm	mm	mm	mm	mm	mm	mm	mm	mm	mm	mm	mm	mm	mm		mm	mm
P766618	G3/8	59	115	183	11	84	90	11	11	82	90	11	20	48	65	21	74	2x G1/8	YES	100	43	98	22	P171953 P171958 P171966 P173104
P766619	G1/2	59	180	248	11	84	90	11	11	82	90	11	20	48	65	21	74	2x G1/8	YES	164	43	162	22	
NEW	G3/4	59	180	248	11	82	90	11,5	11	84	90	11,5	20	50	50	21	74	2x G1/8	YES	164	43	162	22	
P766597	G3/4	90	91	189	8,5	126	130	12	11	112	116	14	27,6	70,5	94,5	32	116	2x G1/8	YES	84	70	82	29	
P766598	G1	90	141	239	8,5	126	130	12	11	112	116	14	27,6	70,5	94,5	32	116	2x G1/8	YES	130	70	128	29	
P766599	G1 1/4	90	218	316	8,5	126	130	12	11	112	116	14	39,6	70,5	94,5	32	116	2x G1/8	YES	212	70	210	42	
P766595	G1 1/2	90	400	432	8,5	126	130	12	11	112	116	14	39,6	70,5	94,5	32	116	2x G1/8	YES	289	70	287	42	



FIS 20-40



FIS 60-200



## Indicator Choices

Part	Kind	Reference Drawing	Setting (bar)	Contact	Protection Class	Cable Clamp	Max. Values
P171966	Electrical	C	1,2	Normally Open	IP65	PG7	48 V; 0,5 A res. and 0,2 A ind.
P173104	Electrical	C	1,2	Normally Closed	IP65	PG7	48 V; 0,5 A res. and 0,2 A ind.
P171958	Visual	F	1,2				
P171953	Visual	G	range -1/5				
P171954	Visual	G	range -1/3				



## Installation & Service Guidelines

**Important**

- Oil the O-Rings before assembly.

Labels: Breather, G, C, F, Reference Drawing G, C or F, Cover, O-ring, Dipstick, Bowl, Head, Gasket.

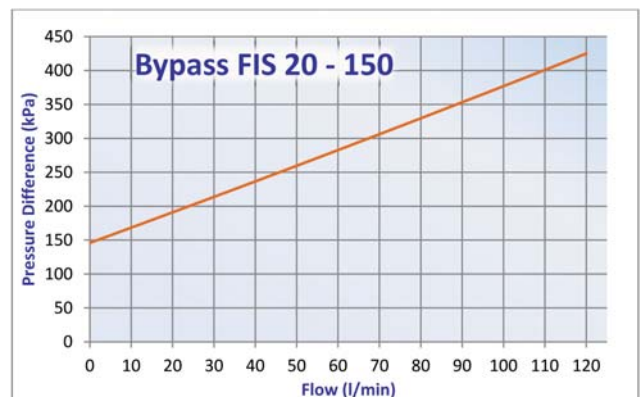
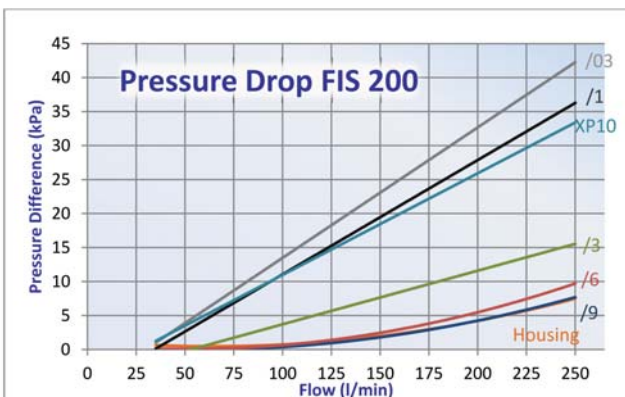
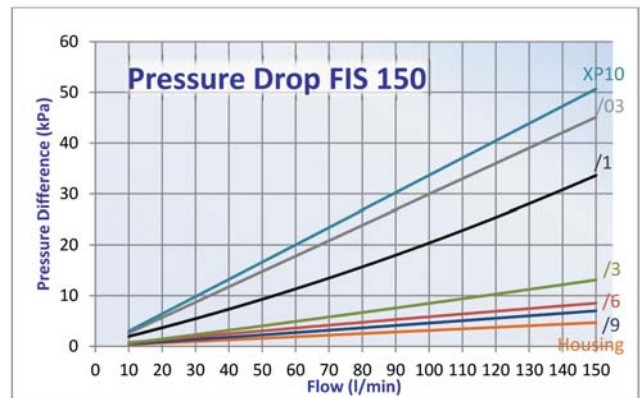
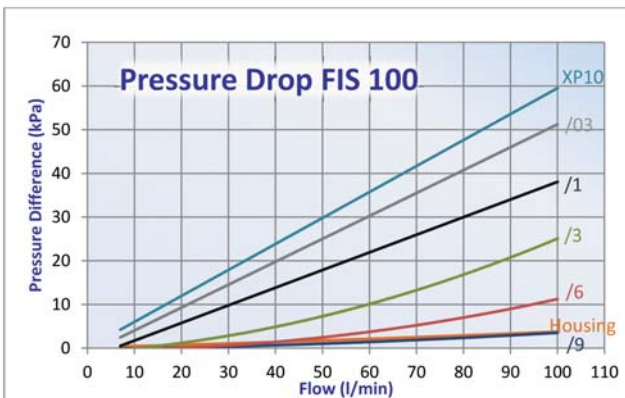
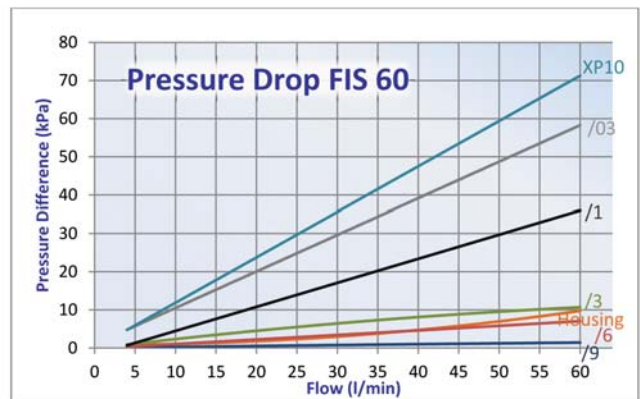
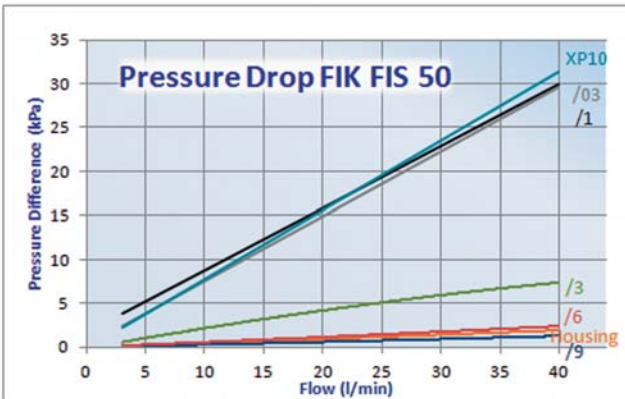
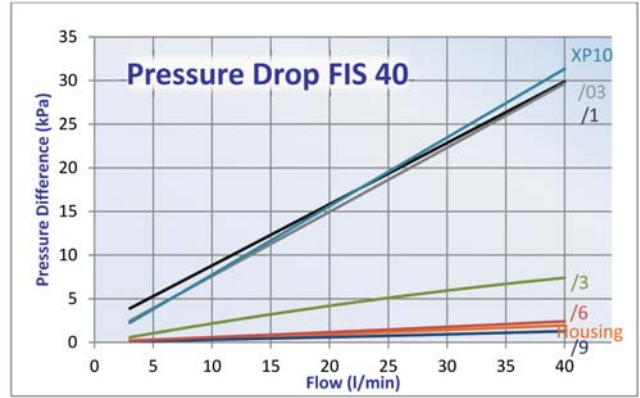
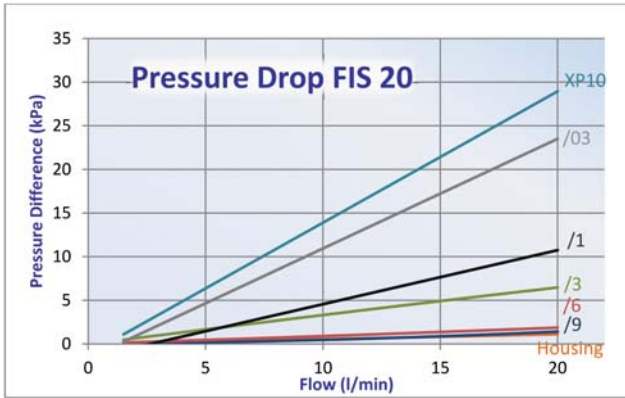
**RESTYLED**

Labels: Breather, O-ring, Dipstick, Bowl, Head, Gasket, Reference Drawing G, C or F.

FIS 20-50

FIS 60-200

## Performance Curves

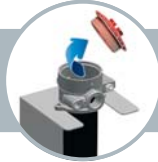


# FIK-FIS SRK-Combo 120

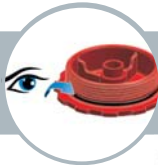
Open empty housing  
in correct order



Remove carton ring  
before use



Check if O-ring between  
lid and housing is installed and intact



Check if O-Ring on cartridge is installed and  
intact



For FIK:  
Mount O-ring over stud



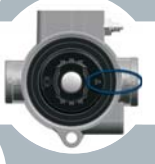
For Low Pressure cartridges:  
Mount spring on cartridge



Mount element in  
housing



For Combo 120:  
Align arrows as shown



Assemble lid on housing



Assemble bolts and  
screws in correct order



Tighten screws, bolts or lid until thread ends  
For spin-ons: hand tighten until contact  
between O-ring and head is made; and then  
continue by hand as indicated on spin-on



Degrease surface where sparepart sticker  
will be mounted  
Only for cartridge type filters



Sparepart sticker in each sparepart box



Fix sparepart sticker in area indicated –  
Ready!



Do not forget seals