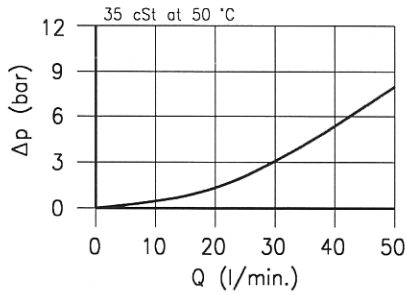
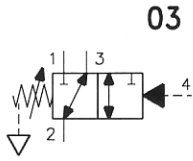
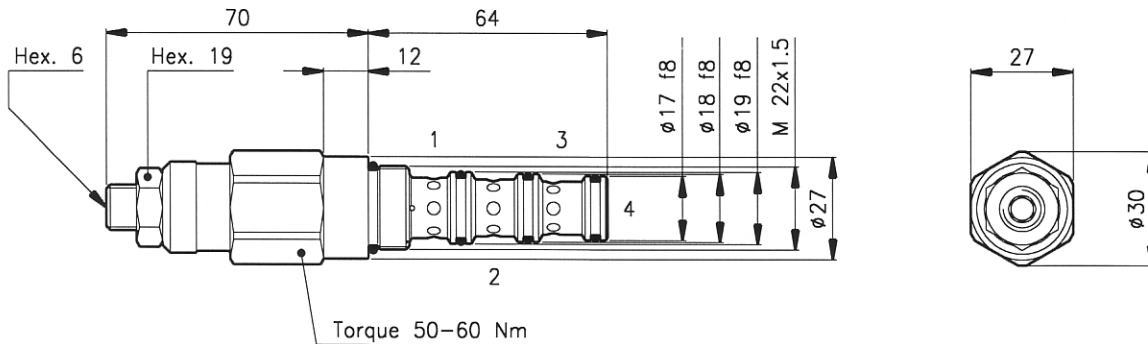


Technical features



Cavity (For dimensions see catalogue 17.000)	S 30/4
Nominal flow (l/min.)	40
Max. pressure (bar)	350
Fluid viscosity range (cSt)	2.8 - 380
Fluid temperature range (°C)	-20 +80
Mass (kg)	0.310
Hydraulic fluid; mineral oil HM and HV	ISO 6074
Recommended filtration; 19/15 ISO 4466 (25 μ absolutes)	
Standard seals in Polyurethane and Buna N	

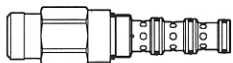
Dimensions



Ordering informations

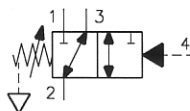
VDT 30/4203-D-N

VDT 30 = Valve type



Circuit

4203 =



Standard springs

Type Setting range

U = 5 - 35 bar

D = 14 - 70 bar

T = 35 - 105 bar

Adjustment type

N = Standard adjustment



Codes:

VDT 30/4203-U-N 32 011 135

VDT 30/4203-D-N 32 011 136

VDT 30/4203-T-N 32 011 137

External seals kit 90 620 105

VDT 30 valves can be assembled on standard bodies 30-C4 series; for dimensions see catalogue 16.011