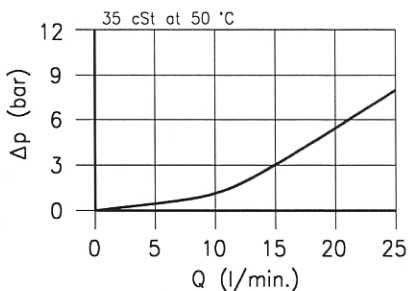
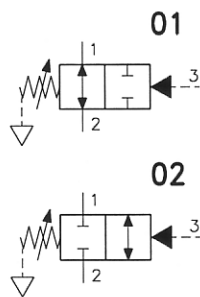
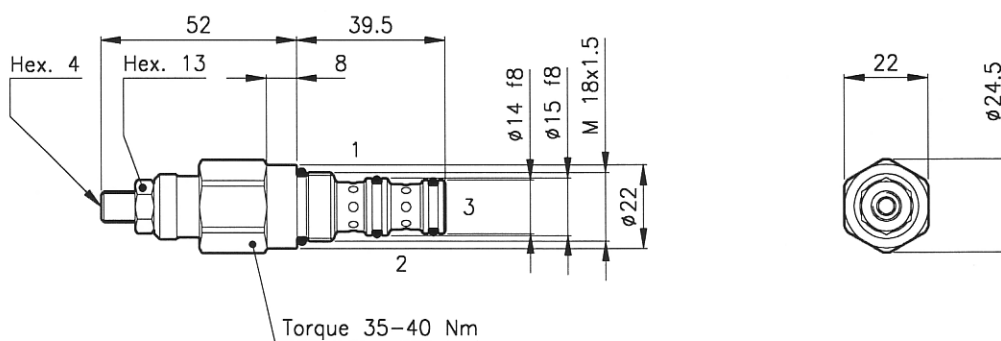


Technical features


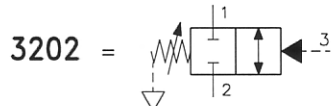
Cavity (For dimensions see catalogue 17.000)	S 20/3
Nominal flow (l/min.)	20
Max. pressure (bar)	350
Fluid viscosity range (cSt)	2.8 - 380
Fluid temperature range (°C)	-20 +80
Mass (kg)	0.160
Hydraulic fluid; mineral oil HM and HV	ISO 6074
Recommended filtration; 19/15 ISO 4466 (25 μ absolutes)	
Standard seals in Polyurethane and Buna N	

Dimensions

Ordering informations
VDT 20/3201-D-N

VDT 20 = Valve type



Circuits



Standard springs

Type	Setting range
U	5 - 30 bar
D	14 - 60 bar
T	35 - 90 bar

Adjustment type

N = Standard adjustment



Codes:

VDT 20/3201-U-N	22 011 128
VDT 20/3201-D-N	22 011 129
VDT 20/3201-T-N	22 011 130
VDT 20/3202-U-N	22 011 131
VDT 20/3202-D-N	22 011 132
VDT 20/3202-T-N	22 011 133
External seals kit	90 620 101

VDT 20 valves can be assembled on standard bodies 20-C3 series; for dimensions see catalogue 16.010