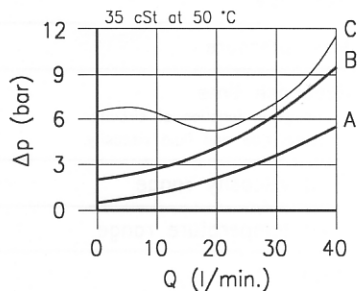
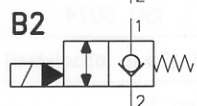
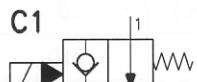


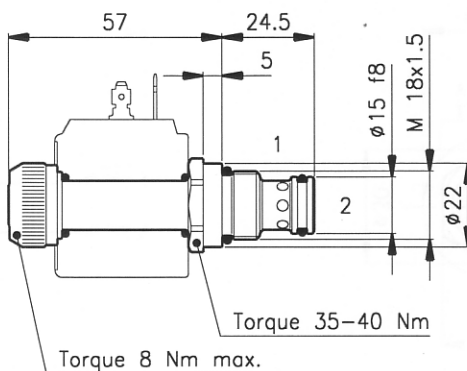
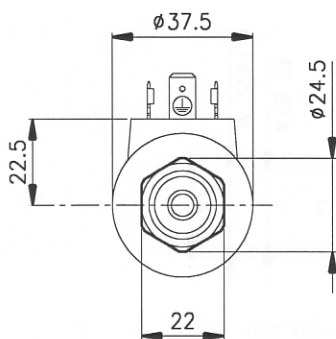
### Technical features



	22C1	22B1	22C2	22B2
1 → 2 De-en.	curve A	curve A	not allowed	not allowed
2 → 1 De-en.	not allowed	curve A	curve B	curve B
1 → 2 Energ.	not allowed	not allowed	curve A	curve A
2 → 1 Energ.	curve C	curve C	not allowed	curve A

Cavity	(For dimensions see catalogue 17.000)	S 20/2
Max. flow	(l/min.)	30
Max. pressure	(bar)	210
Response time	(ms)	80 - 120
It change in function of circuit, pressure, flow and fluid viscosity. (Mean value)		
Fluid viscosity range	(cSt)	2.8 - 380
Fluid temperature range	(°C)	-20 +80
Mass	(kg)	0.120
Hydraulic fluid; mineral oil HM and HV ISO 6074		
Recommended filtration; 19/15 ISO 4466 (25 μ absolutes)		
Standard seals in Polyurethane and Buna N		

### Dimensions

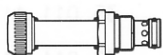


08

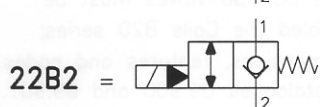
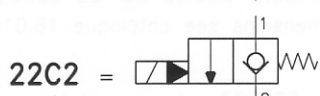
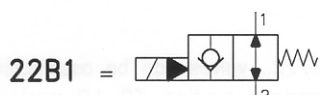
### Ordering informations

## ECP 20/22C1

ECP 20/22.. = Valve type



Circuits



Codes:

ECP 20/22C1	25 011 100
ECP 20/22B1	25 011 101
ECP 20/22C2	25 011 102
ECP 20/22B2	25 011 103
External seals kit	90 620 100

ECP 20/22.. valves can be assembled on standard bodies 20-L0 series; for dimensions see catalogue 16.010

On the ECP 20 valves must be assembled the Coils B20 series; for dimensions, features and codes see catalogues 09.900 and 09.901.