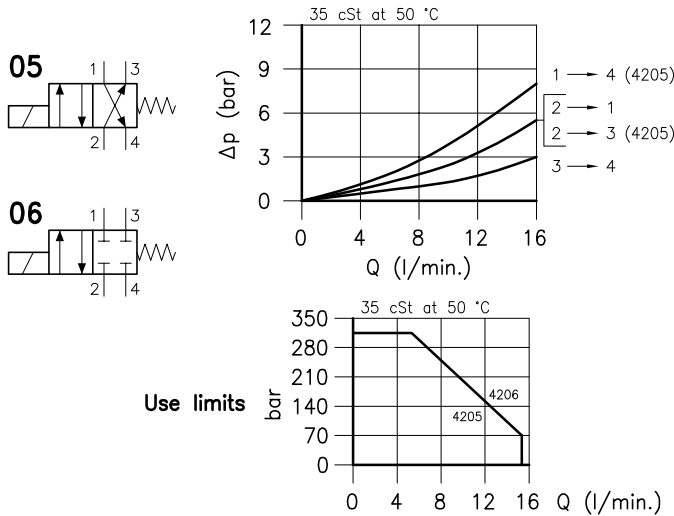
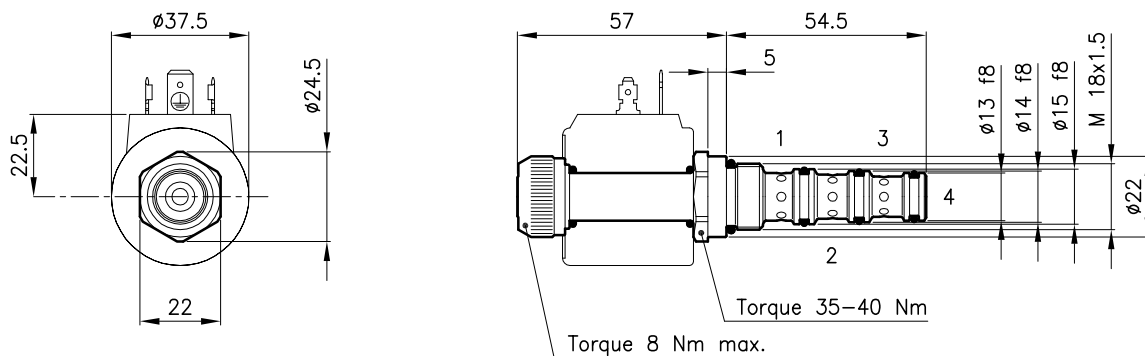


**Technical features**



Cavity (For dimensions see catalogue 17.000)	S 20/4
Max. flow (l/min.)	15
Max. pressure way 1-2-3 (bar)	315
Max. pressure way 4 (bar)	210
Max. leakage (cm <sup>3</sup> /min.)	20
Response time (ms) It change in function of circuit, pressure, flow and fluid viscosity.	20 - 40 (Mean value)
Fluid viscosity range (cSt)	2.8 - 380
Fluid temperature range (°C)	-20 +80
Mass (kg)	0.140
Hydraulic fluid; mineral oil HM and HV	ISO 6074
Recommended filtration; 19/15 ISO 4466 (25 μ absolutes)	
Standard seals in Polyurethane and Buna N	

**Dimensions**



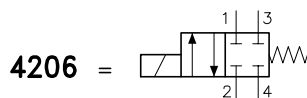
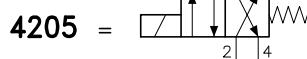
**Ordering informations**

**ETD 20/4205**

ETD 20/42.. = Valve type  
Centre closed



Circuits



Codes:

ETD 20/4205	25 011 121
ETD 20/4206	25 011 122
External seals kit	90 620 102

ETD 20/42.. valves can be assembled on standard bodies 20-C4 series; for dimensions see catalogue 16.011

On the ETD 20 valves must be assembled the Coils B20 series; for dimensions, features and codes see catalogues 09.900 and 09.901.