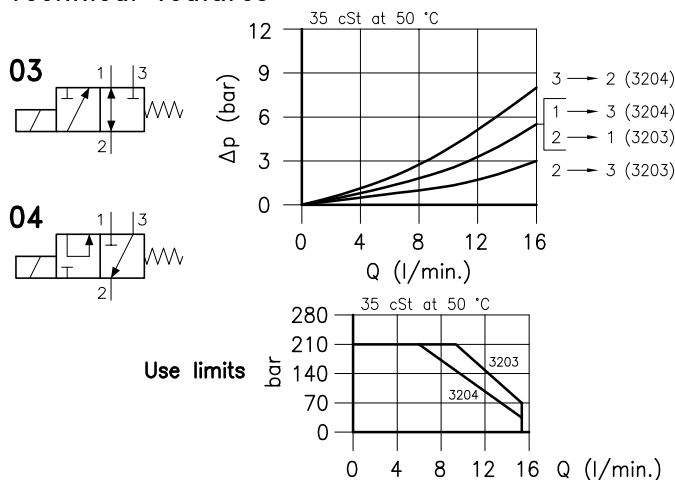
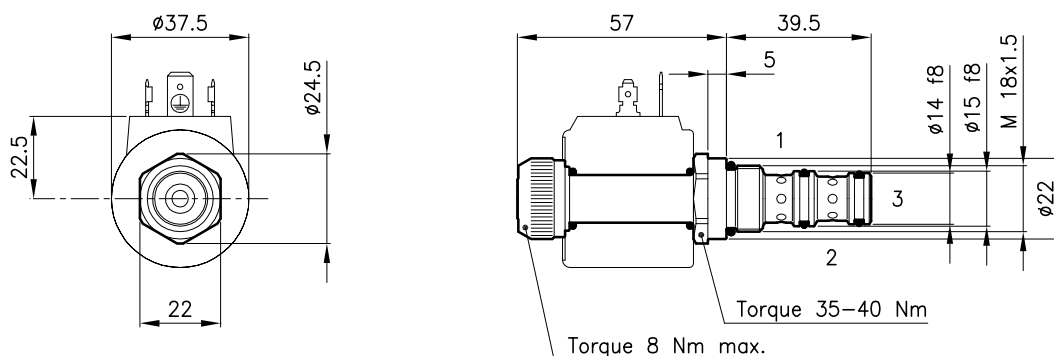


Technical features



Cavity (For dimensions see catalogue 17.000)	S 20/3
Max. flow (l/min.)	15
Max. pressure (bar)	210
Max. leakage (cm ³ /min.)	20
Response time (ms) It change in function of circuit, pressure, flow and fluid viscosity.	20 - 40 (Mean value)
Fluid viscosity range (cSt)	2.8 - 380
Fluid temperature range (°C)	-20 +80
Mass (kg)	0.130
Hydraulic fluid; mineral oil HM and HV ISO 6074	
Recommended filtration; 19/15 ISO 4466 (25 μ absolutes)	
Standard seals in Polyurethane and Buna N	

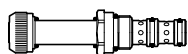
Dimensions



Ordering informations

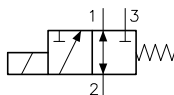
ETD 20/3203

ETD 20/32.. = Valve type

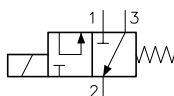


Circuits

3203 =



3204 =



Codes:

ETD 20/3203	25 011 115
ETD 20/3204	25 011 108
External seals kit	90 620 101

ETD 20/32.. valves can be assembled on standard bodies 20-C3 series; for dimensions see catalogue 16.010

On the ETD 20 valves must be assembled the Coils B20 series; for dimensions, features and codes see catalogues 09.900 and 09.901.