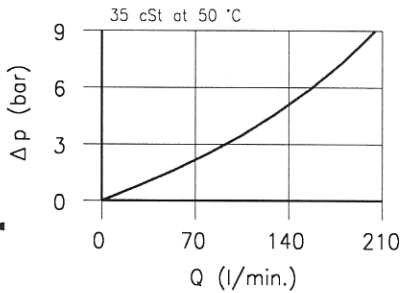
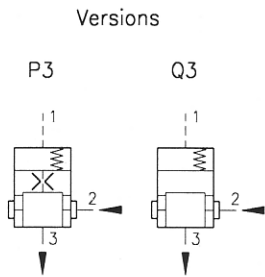


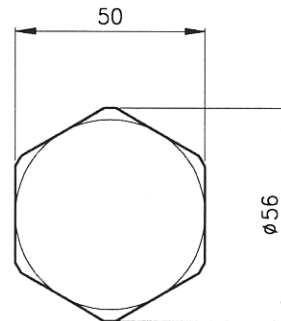
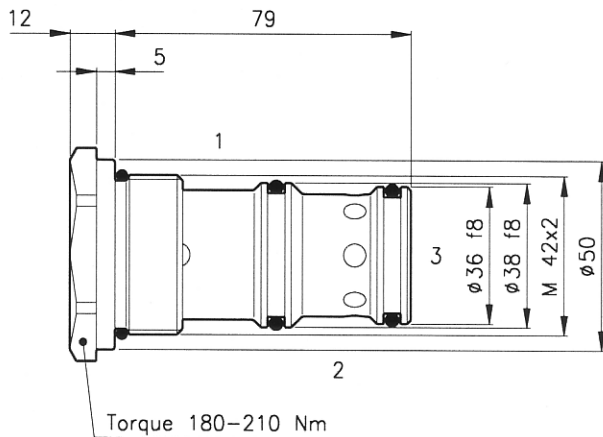
Technical features

Logic valves ELP 70/P3 series, with internal orifice, are used as pressure reducing with remote pilot. The Q3 version, without orifice, if combined with a needle valve is a pressure compensated flow regulator at two way.



Cavity	(For dimensions see catalogue 17.000)	S 70/3
Nominal flow	(l/min.)	200
Max. pressure	(bar)	350
Ratio between areas A1/A3		1:1
Min. pressure difference	(bar)	4
Fluid viscosity range	(cSt)	2.8 - 380
Fluid temperature range	(°C)	-20 +80
Orifice diameter (P3 version)	(mm)	0.75
Mass	(kg)	0.660
Hydraulic fluid; mineral oil HM and HV	ISO 6074	
Recommended filtration; 19/15 ISO 4466	(25 μ absolutes)	
Standard seals in Polyurethane and Buna N		

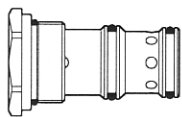
Dimensions



Ordering informations

ELP 70/P3

ELP 70 = Valve type



Version

P3 = pressure reducing

Q3 = flow regulator

Codes:

ELP 70/P3 76 011 102

ELP 70/Q3 76 011 103

External seals kit 90 620 120

ELP 70 valves can be assembled on standard bodies 70-C3 series; for dimensions see catalogue 16.010