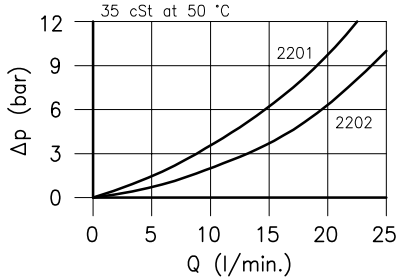
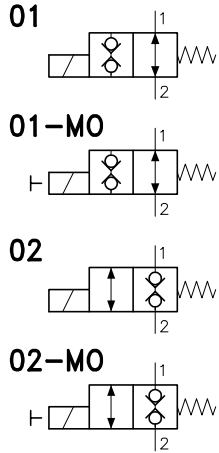
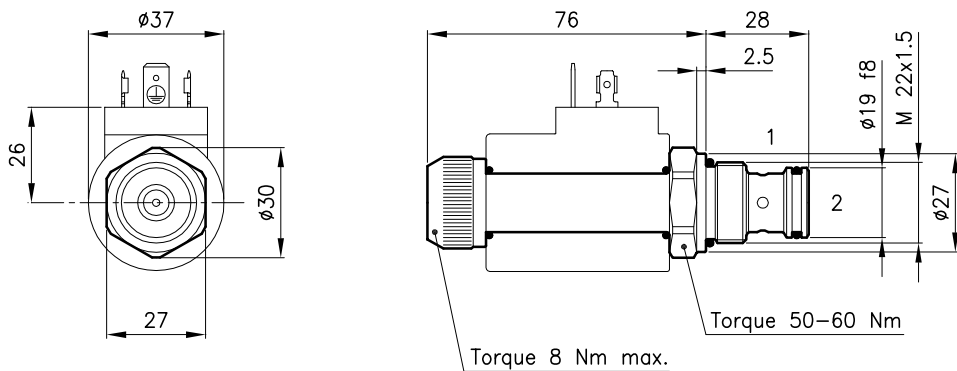


**Technical features**



|  |                                       |           |
|--|---------------------------------------|-----------|
| Cavity   | (For dimensions see catalogue 17.000) | S 30/2    |
| Max. flow  | 01/01-MO (l/min.)                     | 20        |
| Max. flow  | 02/02-MO (l/min.)                     | 25        |
| Max. pressure  | (bar)                                 | 315       |
| Response time  | (ms)                                  | 30 - 60   |
| It change in function of circuit, pressure, flow and fluid viscosity. (Mean value) |                                       |           |
| Fluid viscosity range  | (cSt)                                 | 2.8 - 380 |
| Fluid temperature range  | (°C)                                  | -20 +80   |
| Mass   | (kg)                                  | 0.210     |
| Hydraulic fluid; mineral oil HM and HV ISO 6074                                    |                                       |           |
| Recommended filtration; 19/15 ISO 4466 (25 μ absolutes)                            |                                       |           |
| Standard seals in Polyurethane and Buna N  |                                       |           |

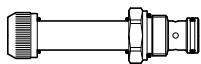
**Dimensions**



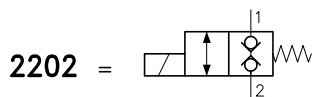
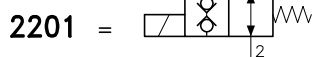
**Ordering informations**

**ECD 30/2202-MO**

ECD 30/22.. = Valve type



Circuits



MO = Manual override  
(Omit if not request)

Codes:

|                    |            |
|--------------------|------------|
| ECD 30/2201        | 35 011 129 |
| ECD 30/2201-MO     | 35 011 145 |
| ECD 30/2202        | 35 011 117 |
| ECD 30/2202-MO     | 35 011 131 |
| External seals kit | 90 620 103 |

ECD 30/22.. valves can be assembled on standard bodies 30-LO series; for dimensions see catalogue 16.010

On the ECD 30 valves must be assembled the Coils B30 series; for dimensions, features and codes see catalogues 09.900 and 09.901.