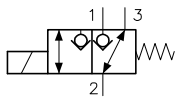
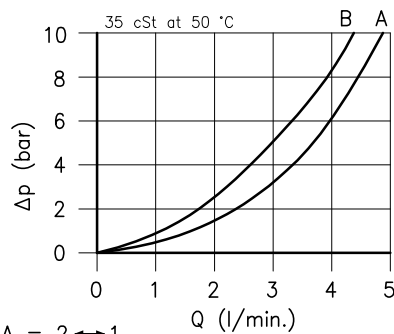
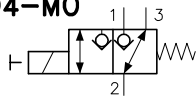
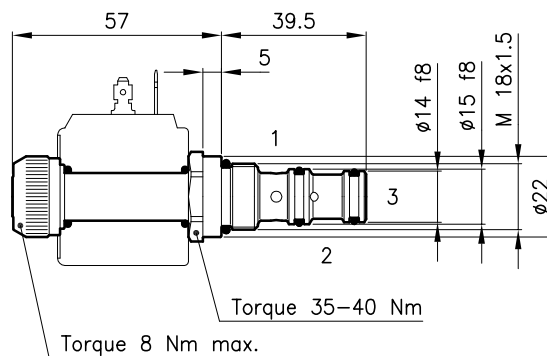
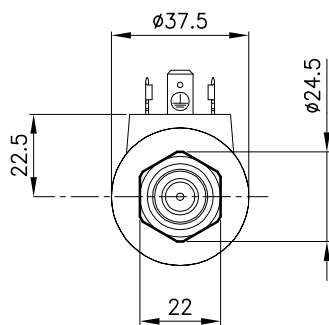
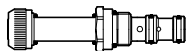


Technical features
04

04-MO


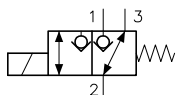
A = 2 ↔ 1

B = 2 ↔ 3

Cavity	(For dimensions see catalogue 17.000)	S 20/3
Max. flow	(l/min.)	5
Max. pressure	(bar)	210
Response time	(ms)	20 - 40
It change in function of circuit, pressure, flow and fluid viscosity.		(Mean value)
Fluid viscosity range	(cSt)	2.8 - 380
Fluid temperature range	(°C)	-20 +80
Mass	(kg)	0.140
Hydraulic fluid; mineral oil HM and HV ISO 6074		
Recommended filtration; 19/15 ISO 4466 (25 μ absolutes)		
Standard seals in Polyurethane and Buna N		

Dimensions

Ordering informations
ECD 20/3204-MO
ECD 20/32.. = Valve type


Circuits

3204 =

MO = Manual override
(Omit if not request)

Codes:

ECD 20/3204 25 011 156

ECD 20/3204-MO 25 011 157

External seals kit 90 620 101

ECD 20/32.. valves can be assembled on standard bodies 20-C3 series; for dimensions see catalogue 16.010

On the ECD 20 valves must be assembled the Coils B20 series; for dimensions, features and codes see catalogues 09.900 and 09.901.