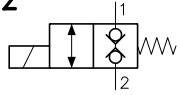
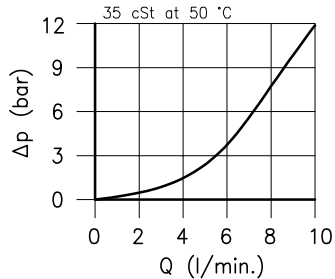
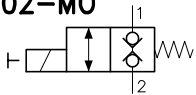


Technical features

02

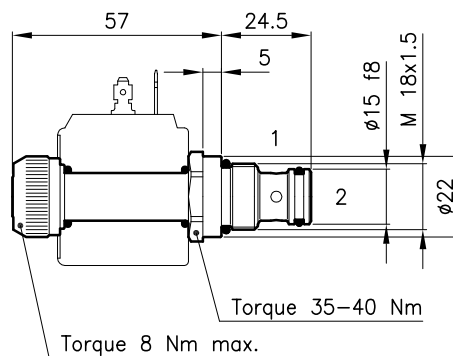
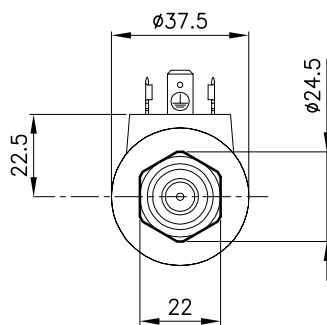


02-MO



Cavity (For dimensions see catalogue 17.000)	S 20/2
Max. flow (l/min.)	10
Max. pressure (bar)	210
Response time (ms) <small>It change in function of circuit, pressure, flow and fluid viscosity.</small>	20 - 40 <small>(Mean value)</small>
Fluid viscosity range (cSt)	2.8 - 380
Fluid temperature range (°C)	-20 +80
Mass (kg)	0.120
Hydraulic fluid; mineral oil HM and HV	ISO 6074
Recommended filtration; 19/15 ISO 4466 (25 μ absolutes)	
Standard seals in Polyurethane and Buna N	

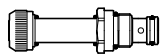
Dimensions



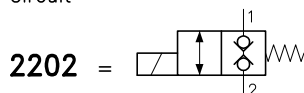
Ordering informations

ECD 20/2202-MO

ECD 20/22.. = Valve type



Circuit



MO = Manual override
(Omit if not request)

Codes:

ECD 20/2202	25 011 129
ECD 20/2202-MO	25 011 133
External seals kit	90 620 100

ECD 20/22.. valves can be assembled on standard bodies 20-LO series; for dimensions see catalogue 16.010

On the ECD 20 valves must be assembled the Coils B20 series; for dimensions, features and codes see catalogues 09.900 and 09.901.