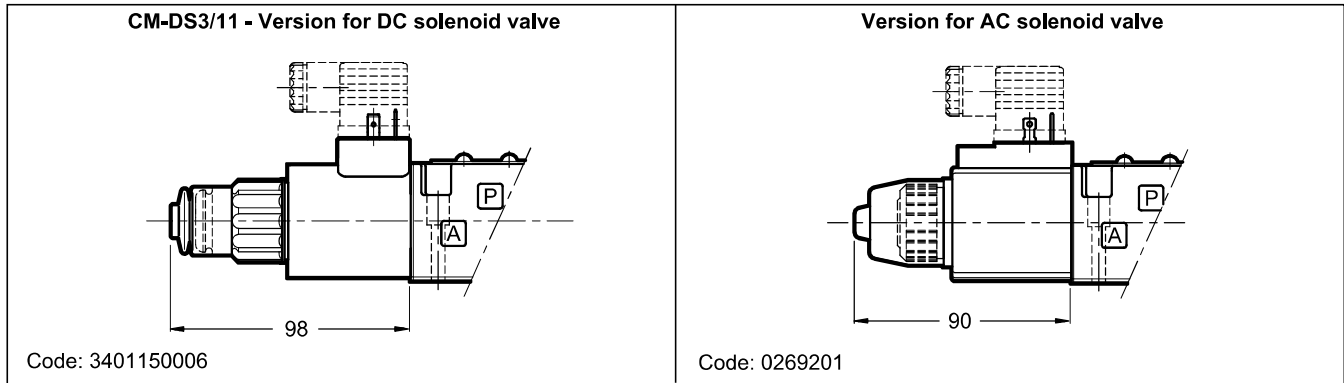
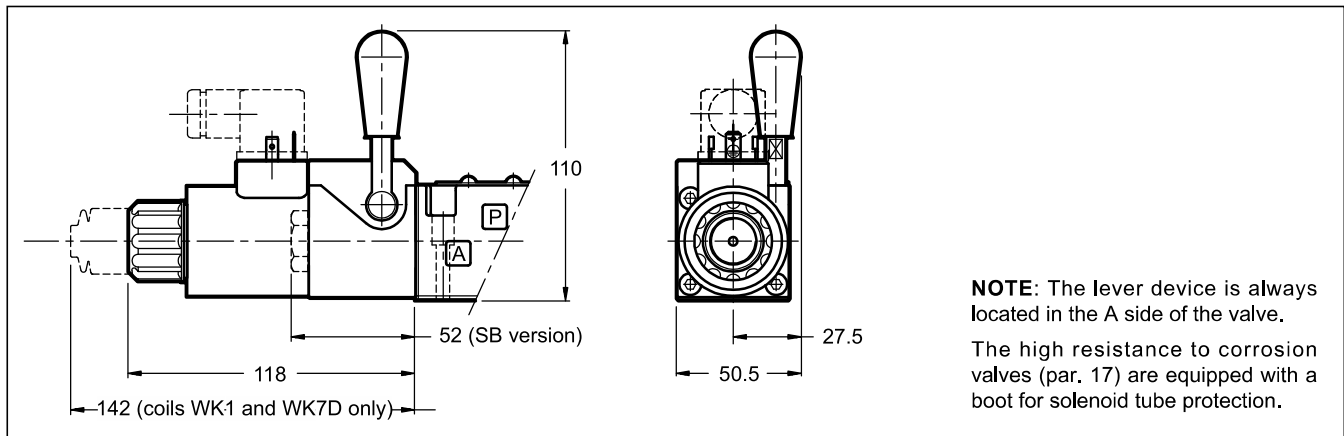


13 - MANUAL OVERRIDES

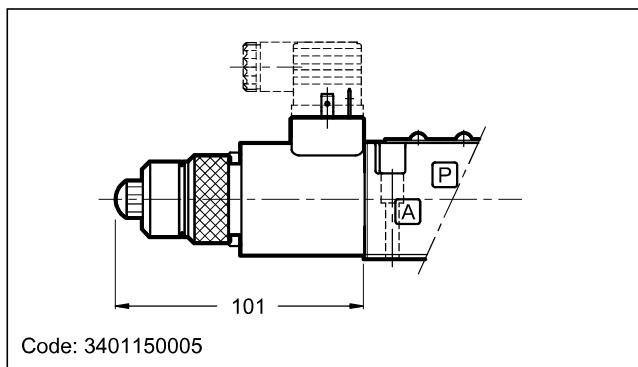
13.1 - Manual override, boot protected



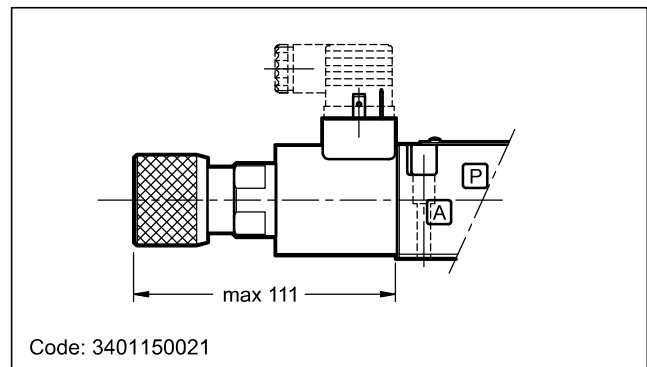
13.2 - CH-DS3/11 Lever manual override (only for DC solenoid valve)



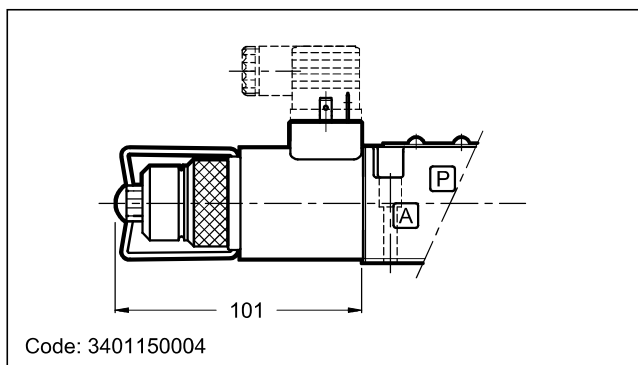
13.3 - CP-DS3/10 Push manual override (only for DC solenoid valve)



13.4 - CK1-DS3/11 knob manual override, turning (only for DC solenoid valve)



13.5 - CPK-DS3/10 Push manual override with mechanical retention (only for DC solenoid valve)



13.6 - CK2-DS3/10 Push and twist manual override (only for DC solenoid valve)

