



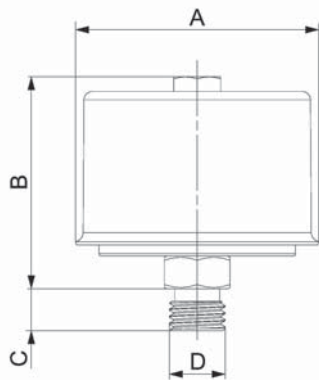
## Products

Family	RMF	/6		/4		/1			CARTRIDGE CODE	DIMENSIONS				
		WIRE MESH				CELLULOSE MEDIA				A	B	C	D	Reference Drawing
		60µm Air	40µm Air	10µm Air			mm	mm						
FS1	200			P172381	P172433	200	P761046	P172435	CS1	52	45	9	M12x1.5	A
FS3	200			P172382	P172433	200	P761047	P172435	CS1	52	45	9	M18x1.5	A
FS4	200			P172383	P172433	200	P761048	P172435	CS1	52	48	10	M22x1.5	A
FS5	200			P172384	P172433	200	P761049	P172435	CS1	52	45	9	G 1/4	A
FS6	200			P172385	P172433	200	P761050	P172435	CS1	52	46	9	G 3/8	A
FS7	500			P172386	P171783	500	P761051	P175447	CS2	72	62	10	G 1/2	A
FS8	1000			P172387	P171784	1000	P761052	P761045	CS3	108	77	15	G1	A
FS9	1500	P172389	P171786	P172388	P171785	1500	P761053	P761054	CS4	132	100	48		B

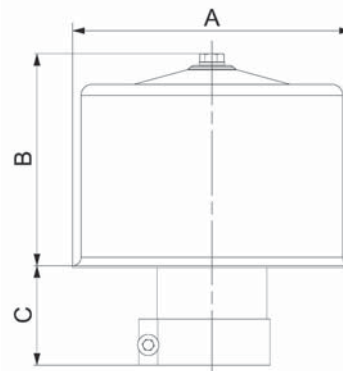
RMF = Recommended Maximum AIR-Flow in liters/minute

## Technical Data

- To filter air entering the reservoir.
- Ports treaded per ISO 228/1 and UNI 4535-UNI 5545.
- Filter Elements in wire mesh 60-40 micron and cellulose media 10 micron.



Reference Drawing A



Reference Drawing B