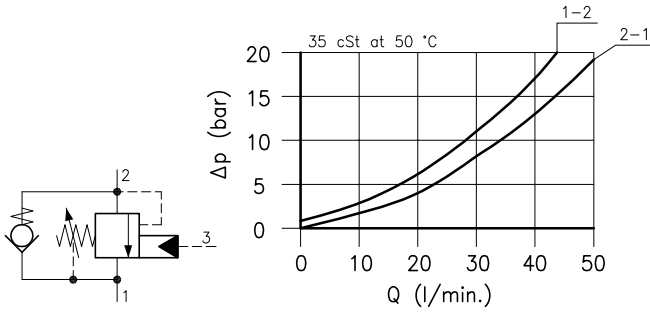


Technical features

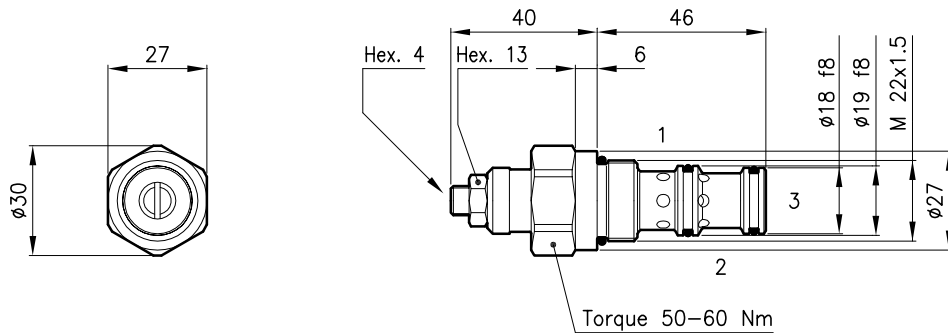


$$PP = \frac{(SP + BP) - LP}{8}$$

PP = Pilot pressure
SP = Setting pressure
BP = Backpressure port 1
LP = Load induced pressure

Cavity (For dimensions see catalogue 17.000)	S 30/3
Max. flow (l/min.)	50
Max. system pressure (bar)	315
Max. setting pressure (bar)	420
Pilot ratio	8:1
Fluid viscosity range (cSt)	2.8 - 380
Fluid temperature range (°C)	-20 +80
Mass (kg)	0.175
Cracking pressure 95% of setting value	
Reseat pressure 75% of setting value	
Standard setting obtained with 1 l/min.	
Hydraulic fluid; mineral oil HM and HV ISO 6074	
Recommended filtration; 19/15 ISO 4466 (25 μ absolutes)	
Standard seals in Polyurethane and Buna N	

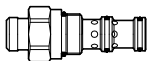
Dimensions



Ordering informations

CMQ 30/T-L

CMQ 30 = Valve type



Standard springs

Type	Setting range	Factory set
D	25 - 125 bar	105 bar
T	105 - 420 bar	280 bar

Adjustment type

L = Adjustment with overset protection

Codes:

CMQ 30/D-L	34 011 101
CMQ 30/T-L	34 011 102
External seals kit	90 620 104

CMQ 30 valves can be assembled on standard bodies 30-C3 series; for dimensions see catalogue 16.010