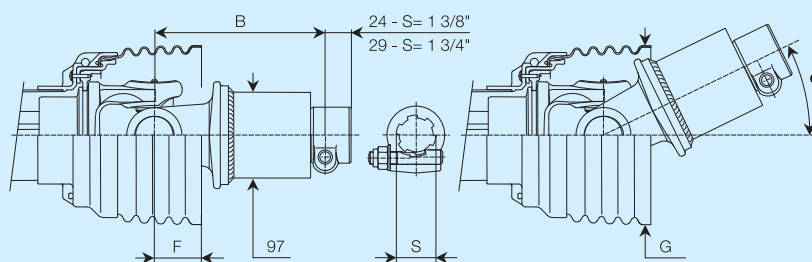


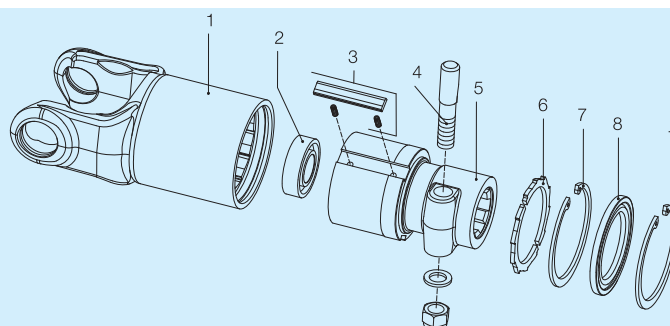
## RL3

Permanent lubrication

Maximum torque  
6200 Nm



Size	B (mm)				F mm	G mm	$\alpha$ °	Spare parts code			
	S 1 3/8" Z6	S 1 3/8" Z21	S 1 3/4" Z6	S 1 3/4" Z20				1 3/8" Z6	1 3/8" Z21	1 3/4" Z6	1 3/4" Z20
<b>H8</b>	180	180	182	182	42	160	28°	60170L503R	60170L502R	60170L501R	60170L504R
<b>S9</b>	191	191	193	193	49	180	26°	60170M501R	60170M502R	60170M503R	60170M504R
<b>SH</b>	190	190	192	192	50	201	35°	60170N501R	60170N502R	60170N503R	60170N504R
<b>S0</b>	200	200	202	202	46	201	36°	60170S501R	60170S502R	60170S503R	60170S504R



Ref.	Size	Spare parts code	Description	Technical data
1	<b>H8</b>	4180L7001R	Outer housing + yoke	
	<b>S9</b>	4180M7001R		
	<b>SH</b>	4180N7001R		
	<b>S0</b>	4180S7001R		
2		354110025	Bearing	6205 (25 x 52 x 15)
3	<b>H8 - S9</b>	4210G0001R03	Pawl + spring (3 pawl)	L = 62,8
	<b>SH - S0</b>	4210G0001R04	Pawl + spring (4 pawl)	L = 62,8
4		408000047R02	Taper pin + washer + nut	1 3/8" Z6 - Z21
		408000046R02		1 3/4" Z6 - Z20
5	<b>H8 - S9</b>	5150G0306R	Hub with taper pin	1 3/8" Z6
		5150G3706R		1 3/8" Z21
		5150G0406R		1 3/4" Z6
		5150G3806R		1 3/4" Z20
	<b>SH - S0</b>	5150G0307R		1 3/8" Z6
		5150G3707R		1 3/8" Z21
		5150G0407R		1 3/4" Z6
		5150G3807R		1 3/4" Z20
6		246000132R02	Locking plate	1 3/8" Z6 - Z21
		246000134R02	Split locking ring	1 3/4" Z6 - Z20
7		338046000R20	Snap ring	88 x 3 DIN 472/1
8		359005900R02	Retaining ring	