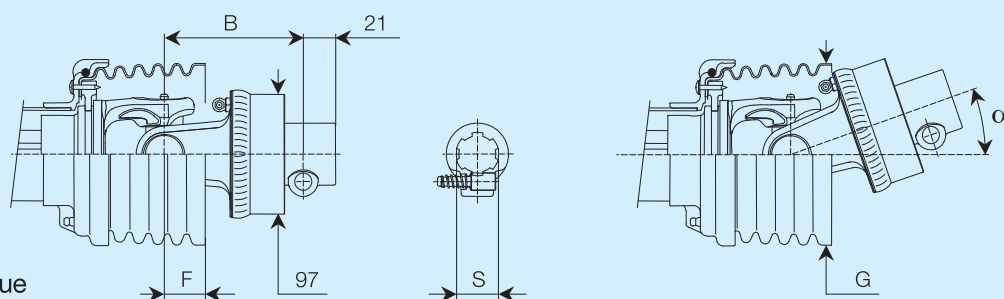


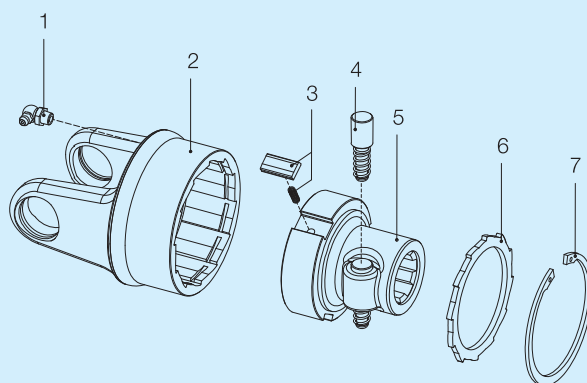
RA1



Maximum torque
2400 Nm

Size	B (mm)				F mm	G mm	α °	Spare parts code				
	S 1 3/8" Z6	S 1 3/8" Z21	S 1 3/4" Z6	S 1 3/4" Z20				1 3/8" Z6	1 3/8" Z6 (SX)	1 3/8" Z21	1 3/4" Z6	1 3/4" Z20
S1	94	94	---	---	23	129	22°	601101701R	602101701R	601101702R	---	---
S2	100	100	---	---	42	146	20°	601102701R	602102701R	601102702R	---	---
S4	109	109	---	---	37	146	24°	601104701R	602104701R	601104702R	---	---
S5	112	112	---	---	33	146	24°	601105704R	602105701R	601105702R	---	---

The codes in columns with heading **(SX)** are for counter-clockwise rotation. All other codes are for clockwise rotation.



Ref.	Size	Spare parts code	Description	Technical data
1		348014000R20	Grease fitting	
2	S1	418011201R	Outer housing + yoke	
	S2	418021201R		
	S4	418041203R		
	S5	418051201R		
3		4210C0001R03	Pawl + spring kit	L = 22,8
4		403000001R10	Push-pin kit	
5		5130C0301R	Hub with push-pin	1 3/8" Z6
		5130C3701R		1 3/8" Z21
6		246000132R02	Locking plate	
7		338005000R20	Snap ring	82 x 2.5 DIN 472/1

For primary drivelines, always install any torque limiter or overrunning clutch on the implement side.
All rotating parts must be guarded.