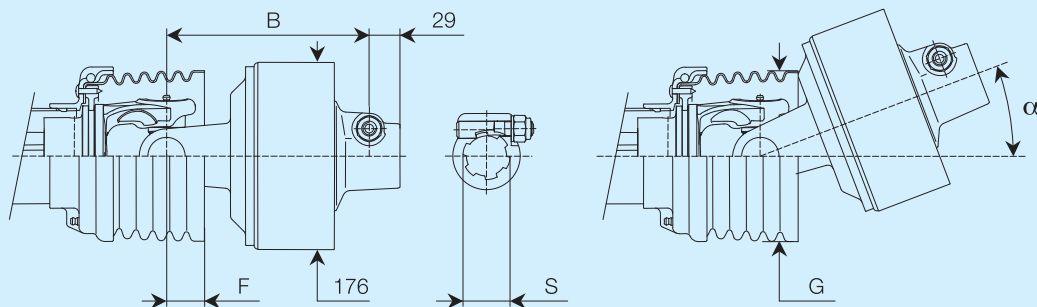


## LR35



| Size | Torque<br>Nm | B (mm)         |                 |                |                 | F<br>mm | G<br>mm | $\alpha$<br>° | Spare parts codes for use at 540 min <sup>-1</sup> |            |                 |            |
|------|--------------|----------------|-----------------|----------------|-----------------|---------|---------|---------------|--|------------|-----------------|------------|
|      |              | S<br>1 3/8" Z6 | S<br>1 3/8" Z21 | S<br>1 3/4" Z6 | S<br>1 3/4" Z20 |         |         |               | 1 3/8" Z6  | 1 3/8" Z21 | 1 3/4" Z6       | 1 3/4" Z20 |
| S8   | 3500         | 190            | 190             | 190            | 190             | 42      | 160     | 17°           | 6WL481003R   | 6WL481037R | 6WL481004R      | 6WL481038R |
|      |              |                |                 |                |                 |         |         |               |  |            | 6WL481902R (SX) |            |
| H8   | 3500         | 190            | 190             | 190            | 190             | 42      | 160     | 17°           | 6WL481003R   | 6WL481037R | 6WL481004R      | 6WL481038R |
|      | 4100         |                |                 |                |                 |         |         |               |  |            | 6WL481902R (SX) |            |
| S9   | 3500         | 192            | 192             | 192            | 192             | 49      | 180     | 18°           | 6WM481003R   | 6WM481037R | 6WM481004R      | 6WM481038R |
|      | 4100         |                |                 |                |                 |         |         |               | 6WL488003R   | 6WL488037R | 6WL488004R      | 6WL488038R |
| SH   | 3500         | 199            | 199             | 199            | 199             | 50      | 201     | 16°           | 6WN481003R   | 6WN481037R | 6WN481004R      | 6WN481038R |
|      | 4100         |                |                 |                |                 |         |         |               | 6WN488003R   | 6WN488037R | 6WN488004R      | 6WN488038R |
|      | 4500         |                |                 |                |                 |         |         |               | 6WN480003R   | 6WN480037R | 6WN480004R      | 6WN480038R |
| S0   | 4100         | 217            | 217             | 217            | 217             | 46      | 201     | 28°           | 6WS488003R   | 6WS488037R | 6WS488004R      | 6WS488038R |
|      | 4500         |                |                 |                |                 |         |         |               | 6WS480003R   | 6WS480037R | 6WS480004R      | 6WS480038R |

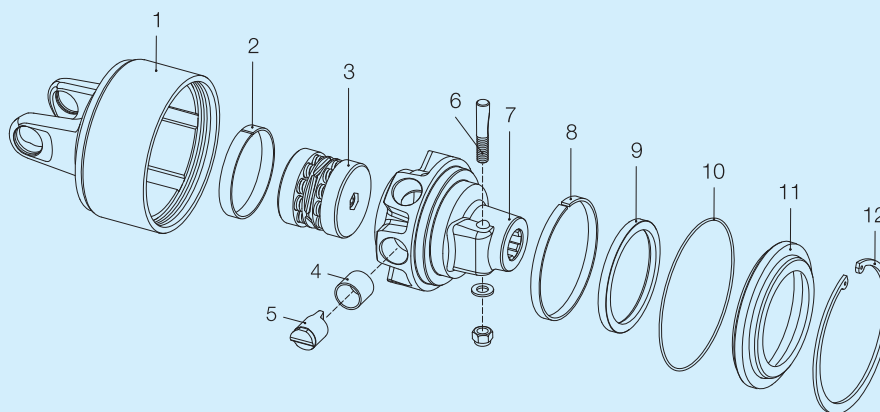
The codes in columns with heading **(SX)** are for counter-clockwise rotation. All other codes are for clockwise rotation.

| Size | Torque<br>Nm | B (mm)         |                 |                |                 | F<br>mm | G<br>mm | $\alpha$<br>° | Spare parts codes for LR35 with improved re-engagement |            |            |            |
|------|--------------|----------------|-----------------|----------------|-----------------|---------|---------|---------------|--|------------|------------|------------|
|      |              | S<br>1 3/8" Z6 | S<br>1 3/8" Z21 | S<br>1 3/4" Z6 | S<br>1 3/4" Z20 |         |         |               | 1 3/8" Z6  | 1 3/8" Z21 | 1 3/4" Z6  | 1 3/4" Z20 |
| S8   | 3500         | 190            | 190             | 190            | 190             | 42      | 160     | 17°           | 6WLF81003R   | 6WLF81037R | 6WLF81004R | 6WLF81038R |
| H8   | 3500         | 190            | 190             | 190            | 190             | 42      | 160     | 17°           | 6WLF81003R   | 6WLF81037R | 6WLF81004R | 6WLF81038R |
|      | 4100         |                |                 |                |                 |         |         |               | 6WLF88003R   | 6WLF88037R | 6WLF88004R | 6WLF88038R |
| S9   | 3500         | 192            | 192             | 192            | 192             | 49      | 180     | 18°           | 6WMF81003R   | 6WMF81037R | 6WMF81004R | 6WMF81038R |
|      | 4100         |                |                 |                |                 |         |         |               | 6WMF88003R   | 6WMF88037R | 6WMF88004R | 6WMF88038R |
| SH   | 3500         | 199            | 199             | 199            | 199             | 50      | 201     | 16°           | 6WNF81003R   | 6WNF81037R | 6WNF81004R | 6WNF81038R |
|      | 4100         |                |                 |                |                 |         |         |               | 6WNF88003R   | 6WNF88037R | 6WNF88004R | 6WNF88038R |
|      | 4500         |                |                 |                |                 |         |         |               | 6WNF80003R   | 6WNF80037R | 6WNF80004R | 6WNF80038R |
| S0   | 4100         | 217            | 217             | 217            | 217             | 46      | 201     | 28°           | 6WSF88003R   | 6WSF88037R | 6WSF88004R | 6WSF88038R |
|      | 4500         |                |                 |                |                 |         |         |               | 6WSF80003R   | 6WSF80037R | 6WSF80004R | 6WSF80038R |



For primary drivelines, always install any torque limiter or overrunning clutch on the implement side.  
All rotating parts must be guarded.

## LR35



| Ref. | Size    | Spare parts codes for use at 540 min <sup>-1</sup> | Codes with improved re-engagement | Description                     | Technical data    |
|------|---------|--|-----------------------------------|---------------------------------|-------------------|
| 1    | S8 - H8 | 4310L4152R   | 4310LF151R                        | Outer housing + yoke            |                   |
|      | S9      | 431084151R   | 4310MF151R                        |                                 |                   |
|      | SH      | 4310N4152R   | 4310NF151R                        |                                 |                   |
|      | S0      | 4310S4151R   | 4310SF151R                        |                                 |                   |
| 2    |         | 240000711R02                                       | 240000711R02                      | Bushing                         |                   |
| 3    |         | 421188101R   | 421188105R                        | Spring kit                      | 3500 Nm           |
|      |         | 421188801R   | 421188805R                        |                                 | 4100 Nm           |
|      |         | 421188001R   | 421188005R                        |                                 | 4500 Nm           |
| 4    |         | 258000100R05                                       | 258000100R05                      | Sleeve                          |                   |
| 5    |         | 250000101R05                                       | 250000101R05                      | Cam                             |                   |
| 6    |         | 408000047R02                                       | 408000047R02                      | Taper pin                       | 1 3/8" Z6 - Z21   |
|      |         | 408000052R02                                       | 408000046R02                      |                                 | 1 3/4" Z6 - Z20   |
| 7    |         | 515180301R   | 515180305R                        | Hub with taper pin and bushings | 1 3/8" Z6         |
|      |         | 515183701R   | 515183705R                        |                                 | 1 3/8" Z21        |
|      |         | 515180401R   | 515180405R                        |                                 | 1 3/4" Z6         |
|      |         | 515183801R   | 515183805R                        |                                 | 1 3/4" Z20        |
| 8    |         | 240000712R02                                       | 240000712R02                      | Bushing                         |                   |
| 9    |         | 355000105R02                                       | 355000105R02                      | Sealing ring                    | 105 x 125 x 10 mm |
| 10   |         | 358000007R02                                       | 358000007R02                      | O-ring                          | 64.7 x 2.6 mm     |
| 11   |         | 240000710R02                                       | 240000710R02                      | Locking plate                   |                   |
| 12   |         | 338000162R20                                       | 338000162R20                      | Snap ring                       | 162 x 4 DIN 472/1 |



For primary drivelines, always install any torque limiter or overrunning clutch on the implement side.  
All rotating parts must be guarded.