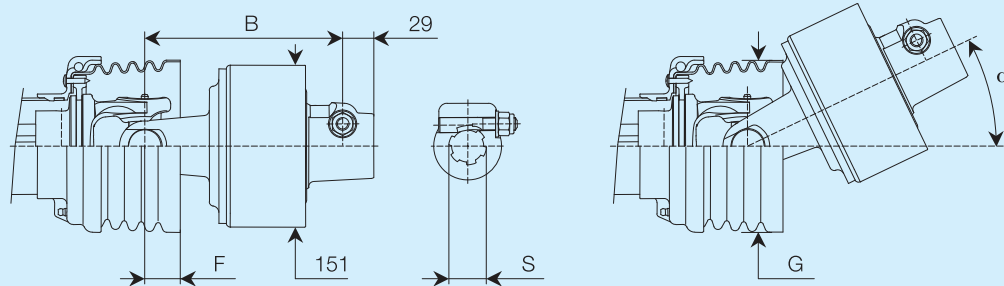


LR23



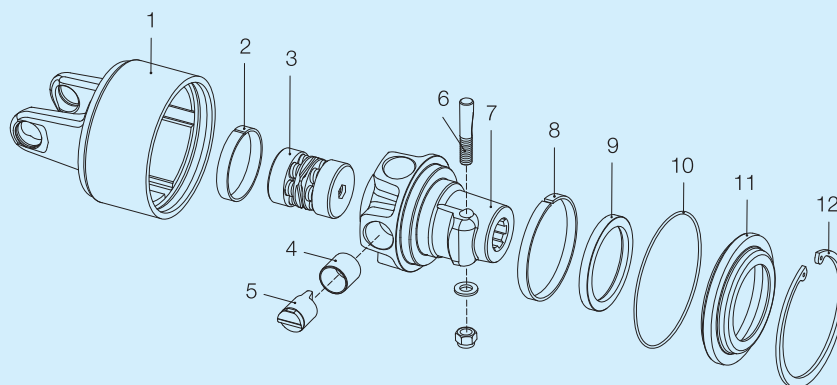
Size	Torque Nm	B (mm)				F mm	G mm	α °	Spare parts codes for use at 540 min ⁻¹			
		S 1 3/8" Z6	S 1 3/8" Z21	S 1 3/4" Z6	S 1 3/4" Z20				1 3/8" Z6	1 3/8" Z21	1 3/4" Z6	1 3/4" Z20
S4	1200	172	172	172	172	37	146	19°	6WE148003R	6WE148037R	6WE148004R	6WE148038R
	1500								6WE154003R	6WE154037R	6WE154004R	6WE154038R
	1700								6WE157003R	6WE157037R	6WE157004R	6WE157038R
	1900								6WE159003R	6WE159037R	6WE159004R	6WE159038R
									6WE159902R (SX)	---	---	---
S5	1500	177	177	177	177	33	146	21°	6WG154003R	6WG154037R	6WG154004R	6WG154038R
	1700								6WG157003R	6WG157037R	6WG157004R	6WG157038R
	1900								6WG159003R	6WG159037R	6WG159004R	6WG159038R
	2100								6WG161003R	6WG161037R	6WG161004R	6WG161038R
S6	1700	177	177	177	177	32	160	24°	6WG157003R	6WG157037R	6WG157004R	6WG157038R
	1900								6WG159003R	6WG159037R	6WG159004R	6WG159038R
	2100								6WG161003R	6WG161037R	6WG161004R	6WG161038R
H7	2100	184	184	184	184	29	160	28°	6WH161003R	6WH161037R	6WH161004R	6WH161038R

The codes in columns with heading **(SX)** are for counter-clockwise rotation. All other codes are for clockwise rotation.

Size	Torque Nm	B (mm)				F mm	G mm	α °	Spare parts codes for LR23 with improved re-engagement			
		S 1 3/8" Z6	S 1 3/8" Z21	S 1 3/4" Z6	S 1 3/4" Z20				1 3/8" Z6	1 3/8" Z21	1 3/4" Z6	1 3/4" Z20
S4	1200	172	172	172	172	37	146	19°	6WEA48003R	6WEA48037R	6WEA48004R	6WEA48038R
	1500								6WEA54003R	6WEA54037R	6WEA54004R	6WEA54038R
	1700								6WEA57003R	6WEA57037R	6WEA57004R	6WEA57038R
	1900								6WEA59003R	6WEA59037R	6WEA59004R	6WEA59038R
S5	1500	177	177	177	177	33	146	21°	6WGA54003R	6WGA54037R	6WGA54004R	6WGA54038R
	1700								6WGA57003R	6WGA57037R	6WGA57004R	6WGA57038R
	1900								6WGA59003R	6WGA59037R	6WGA59004R	6WGA59038R
	2100								6WGA61003R	6WGA61037R	6WGA61004R	6WGA61038R
S6	1700	177	177	177	177	32	160	24°	6WGA57003R	6WGA57037R	6WGA57004R	6WGA57038R
	1900								6WGA59003R	6WGA59037R	6WGA59004R	6WGA59038R
	2100								6WGA61003R	6WGA61037R	6WGA61004R	6WGA61038R
H7	2100	184	184	184	184	29	160	28°	6WHA61003R	6WHA61037R	6WHA61004R	6WHA61038R

For primary drivelines, always install any torque limiter or overrunning clutch on the implement side.
All rotating parts must be guarded.

LR23



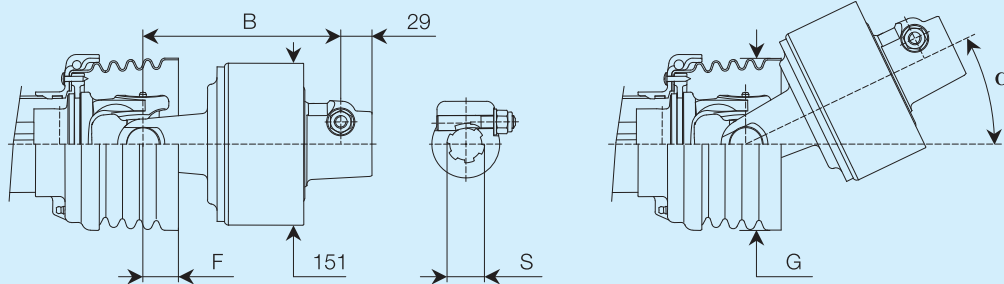
Ref.	Size	Spare parts codes for use at 540 min ⁻¹	Codes with improved re-engagement	Description	Technical data
1	S4	4310E1151R	4310E1152R	Outer housing + yoke	
	S5	4310G1151R	4310G1158R		
	S6	4310G1151R	4310G1158R		
	H7	4310G1151R	4310H1151R		
2		240000205R02	240000205R02	Bushing	
3		421154801R	421154801R	Spring pack*	1200 Nm
		421155401R	421155401R		1500 Nm
		421155701R	421155701R		1700 Nm
		421155901R	421155901R		1900 Nm
		421156101R	421156101R		2100 Nm
4		258000100R05	258000100R05	Sleeve	
5		250000101R05	250000101R05	Cam	
6		408000047R02	408000047R02	Taper pin	1 3/8" Z6 - Z21
		408000052R02	408000052R02		1 3/4" Z6 - Z20
7		515150301R	515150301R	Hub with taper pin and bushing	1 3/8" Z6
		515153701R	515153701R		1 3/8" Z21
		515150401R	515150401R		1 3/4" Z6
		515153801R	515153801R		1 3/4" Z20
8		240000201R02	240000201R02	Bushing	
9		355006080R02	355006080R02	Sealing ring	80 x 100 x 10 mm
10		358000006R02	358000006R02	O-ring	139 x 2.6 mm
11		240000202R02	240000202R02	Locking plate	
12		338000138R20	338000138R20	Snap ring	138 x 4 DIN 472/1

* Other kits are available: 1400 Nm - 1800 Nm - 2000 Nm - 2200 Nm.
The codes should be requested from the commercial office.



For primary drivelines, always install any torque limiter or overrunning clutch on the implement side.
All rotating parts must be guarded.

LR23 with overrunning clutch

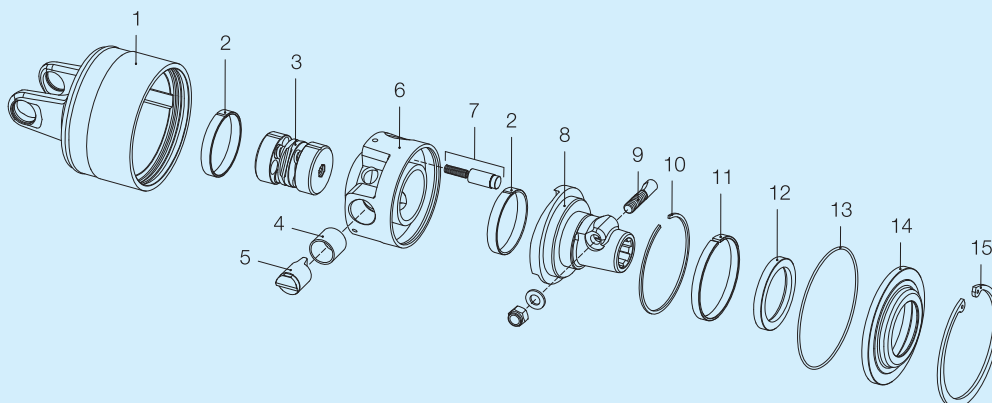


Size	Torque Nm	B (mm)				F mm	G mm	α °	Spare parts codes for use at 540 min ⁻¹			
		S 1 3/8" Z6	S 1 3/8" Z21	S 1 3/4" Z6	S 1 3/4" Z20				1 3/8" Z6	1 3/8" Z21	1 3/4" Z6	1 3/4" Z20
S4	1200	176	176	---	---	37	146	19°	6WE848003R	6WE848037R	---	---
	1500								6WE854003R	6WE854037R	---	---
	1700								6WE857003R	6WE857037R	---	---
	1900								6WE859003R	6WE859037R	---	---
S5	1500	181	181	---	---	33	146	21°	6WG854003R	6WG854037R	---	---
	1700								6WG857003R	6WG857037R	---	---
	1900								6WG859003R	6WG859037R	---	---
	2100								6WG861003R	6WG861037R	---	---
S6	1700	181	181	---	---	32	160	24°	6WG857003R	6WG857037R	---	---
	1900								6WG859003R	6WG859037R	---	---
	2100								6WG861003R	6WG861037R	---	---
H7	2100	188	188	---	---	29	160	28°	6WH861003R	6WH861037R	---	---

Size	Torque Nm	B (mm)				F mm	G mm	α °	Spare parts codes for LR23 with improved re-engagement			
		S 1 3/8" Z6	S 1 3/8" Z21	S 1 3/4" Z6	S 1 3/4" Z20				1 3/8" Z6	1 3/8" Z21	1 3/4" Z6	1 3/4" Z20
S4	1200	176	176	---	---	37	146	19°	6WEC48003R	6WEC48037R	---	---
	1500								6WEC54003R	6WEC54037R	---	---
	1700								6WEC57003R	6WEC57037R	---	---
	1900								6WEC59003R	6WEC59037R	---	---
S5	1500	181	181	---	---	33	146	21°	6WGC54003R	6WGC54037R	---	---
	1700								6WGC57003R	6WGC57037R	---	---
	1900								6WGC59003R	6WGC59037R	---	---
	2100								6WGC61003R	6WGC61037R	---	---
S6	1700	181	181	---	---	32	160	24°	6WGC57003R	6WGC57037R	---	---
	1900								6WGC59003R	6WGC59037R	---	---
	2100								6WGC61003R	6WGC61037R	---	---
H7	2100	188	188	---	---	29	160	28°	6WHC61003R	6WHC61037R	---	---

For primary drivelines, always install any torque limiter or overrunning clutch on the implement side.
All rotating parts must be guarded.

LR23 with overrunning clutch



Ref.	Size	Spare parts codes for use at 540 min ⁻¹	Codes with improved re-engagement	Description	Technical data
1	S4	4310E8151R	4310EC151R	Outer housing + yoke	
	S5	4310G1152R	4310GC151R		
	S6	4310G1152R	4310GC151R		
	H7	431061106R	431061107R		
2		240000205R02	240000205R02	Bushing	
3		421154801R	421154801R	Spring pack*	1200 Nm
		421155401R	421155401R		1500 Nm
		421155701R	421155701R		1700 Nm
		421155901R	421155901R		1900 Nm
		421156101R	421156101R		2100 Nm
4		258000100R05	258000100R05	Sleeve	
5		250000101R05	250000101R05	Cam	
6		234150003R	234150003R	Cam Hub	
7		421004601R03	421004601R03	Ratchet + spring kit for overrunning clutch	
8		515150303R	515150303R	Hub with taper pin	1 3/8" Z6
		515153703R	515153703R		1 3/8" Z21
9		408000048R02	408000048R02	Taper pin	1 3/8" Z6 - Z21
10		339115000R20	339115000R20	Snap ring	
11		240000207R02	240000207R02	Bushing	
12		355008065R02	355008065R02	Sealing ring	65 x 85 x 10 mm
13		358000006R02	358000006R02	O-ring	139 x 2.6 mm
14		240000206R02	240000206R02	Locking plate	
15		338000138R20	338000138R20	Snap ring	138 x 4 DIN 472/1

* Other kits are available: 1400 Nm - 1800 Nm - 2000 Nm - 2200 Nm.

The codes should be requested from the commercial office.



For primary drivelines, always install any torque limiter or overrunning clutch on the implement side.
All rotating parts must be guarded.